

RUGGED, RELIABLE, EFFICIENT...

TITAN

SUMP PUMPS

**TWO YEAR
GUARANTEE**



DURO® **PROFESSIONAL
SERIES**

BUILT TOUGH **SINCE 1932**

Rugged, reliable and efficient sump pumps... your assurance of a dry basement!

TITAN sump pumps provide the performance, value and simplicity you need for your home, farm, cottage or business...count on WaterGroup quality and engineering for long lasting efficiency.

The **TITAN** line is designed for quick and simple installation, easy maintenance and smooth operation. These pump products offer versatility and performance, with six submersible sump pumps, one column sump pump and one package system. All pumps come with a two year guarantee. The minimum operating temperature for all pumps is 0°C (32°F) and the maximum operating temperature for all pumps is 60°C (140°F).

TITAN Submersible Sump Pump features:

- Aluminum die-casting and engineered thermoplastic for impact and corrosion resistance.
- Stainless steel hardware for long lasting durability.
- Screened top inlet prevents pieces of debris larger than the pump can handle from entering and damaging the impeller.
- Glass filled thermoplastic vortex impeller designed for high lift and flow capacity.
- Carbon / ceramic mechanical seals and lip seals to ensure positive protection from water and oil leakage.
- Upper and lower NSK ball bearings for improved pump performance and extended operating life.
- Piggyback tethered or vertical float switches provide great versatility for simple installations and serviceability.
- 1-1/2" or 1-1/4" NPT discharge.
- 10 foot power cord with 3-prong adapter, plugs into a wall outlet for simple solder-less wiring connection.

TITAN Column Sump Pump features:

- Adjustable float switch for automatic operation.
- Overload protection preventing the motor from overheating.
- Open-type impeller allowing small particles to pass without clogging.
- Top suction with screened impeller prevents debris from entering the pump.
- Durable, impact and corrosion resistant components ensure long operating life.
- 1-1/4" NPT discharge for easy installation.
- 8-foot power cord.





Submersible Sump Pump Under Sink Packages

TITAN Under Sink Package Systems allow the user to drain laundry tubs and wet bars without the need for expensive plumbing applications. There are two models available, the Pre-Assembled Package or the Economy Package.

Pre-Assembled Package consists of:

- Fully Automatic 1/3 HP TITAN Submersible Sump Pump with vertical float switch (#8094)
- 11 US gallon Polyethylene Tank (17.5"W x 12"D x 14"H)
- One way check valve
- 1-1/2" Female Inlet
- 1-1/2" Female Discharge and 1-1/2" Vent

Ready to Install!

Economy Package consists of:

- Fully automatic 1/4 HP TITAN Submersible Sump Pump with vertical float switch (#8092)
- 11 US gallon Polyethylene Tank (17.5"W x 12"D x 14"H) with a rubber grommet kit
- One way check valve
- 1-1/2" ABS pipe and female adapter for the outlet
- 1-1/2" Female Inlet
- 1-1/2" Female Discharge and 1-1/2" Vent
- Easy to assemble and install



Pre-Assembled Under Sink Package System - (Item #8101)



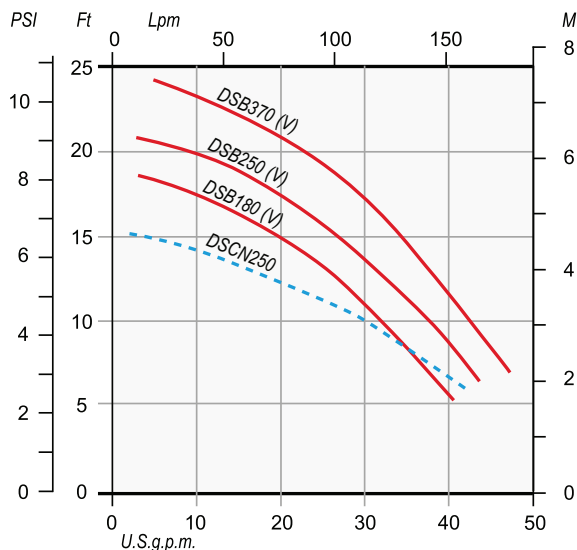
Economy Under Sink Package System - Unassembled (Item #8099)



Sump Pumps

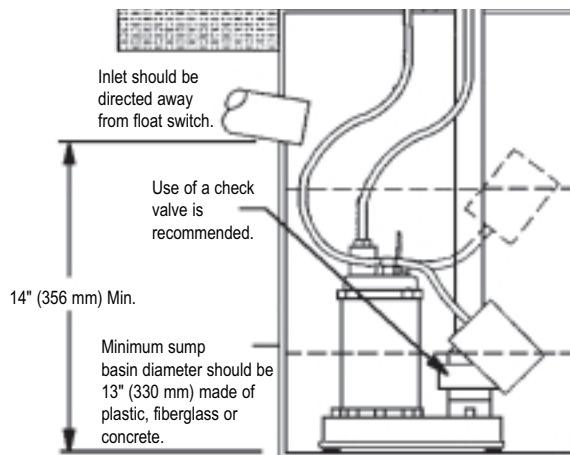
Performance Curves

Submersible Sump Pumps shown as a red solid line; Column Sump Pump shown as a blue dotted line.



This curve normally reflects the optimized performance of the pump.

Installation



Applications

Can be used for:

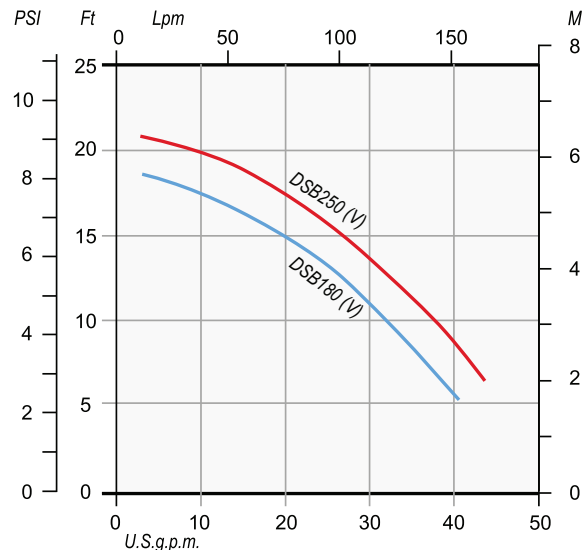
- Basement sumps
- Moving ground water
- Draining pools and small excavations
- Tank circulation and mixing
- Bailing applications

Cannot be used for:

- Flammable liquids e.g. gasoline, oil etc.
- Corrosive liquids
- Raw sewage
- Applications where pump could run dry
- Pumping water laden with sand, gravel and straw etc.

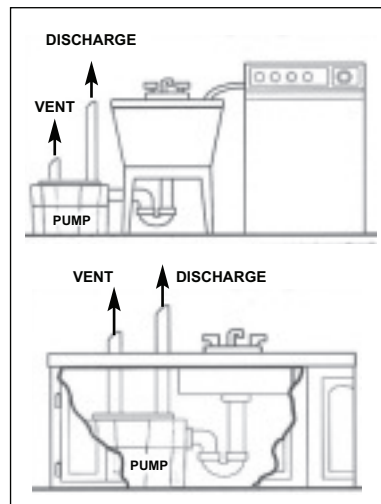
Submersible Sump Pump Packages

Performance Curves



This curve normally reflects the optimized performance of the pump.

Installations



Applications

Can be used for:

- Under sink draining applications
- Dishwashers and washing machines

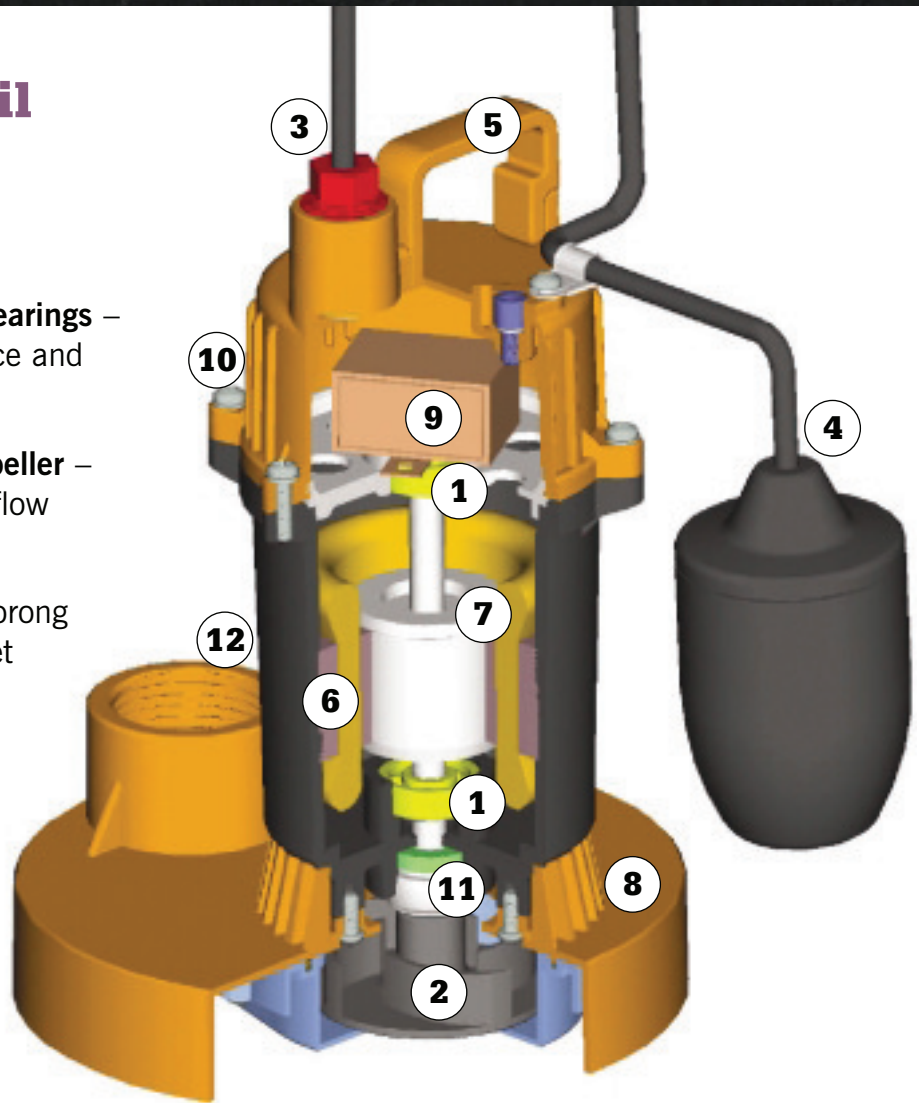
Cannot be used for:

- Flammable liquids e.g. gasoline, oil etc.
- Corrosive liquids
- Raw sewage
- Pumping water laden with sand, gravel and straw etc.



Attention to detail extends pumps operating life!

1. **Upper and Lower NSK Ball Bearings** – for improved pump performance and extended operating life.
2. **Glass-filled Thermoplastic Impeller** – designed for excellent lift and flow characteristics.
3. **10-foot Power Cord** – with 3-prong adapter, plugs into a wall outlet for simple solder-less wiring connection.
4. **Piggyback Tethered (or Vertical) Float Switch** – for simple installation and serviceability.
5. **Lift Handle** – for easy removal and installation handling.
6. **Oil-filled Housing** – continuously cools the motor and permanently lubricates the bearings for longer operating life.
7. **Built-in Thermal Overload Switch** – prevents the motor from overheating and causing damage.
8. **Inlet Screen** – prevents pieces of debris larger than the pump can handle from entering and damaging the impeller.
9. **Permanent Split Starting Capacitor** – with high starting torque.
10. **Stainless Steel Exterior Hardware** – for corrosion resistance.
11. **Carbon and Ceramic Lip Seals** – for durability against wear.
12. **Treated Aluminum Die Casting and Engineered Thermoplastic** – for durability and corrosion resistance.



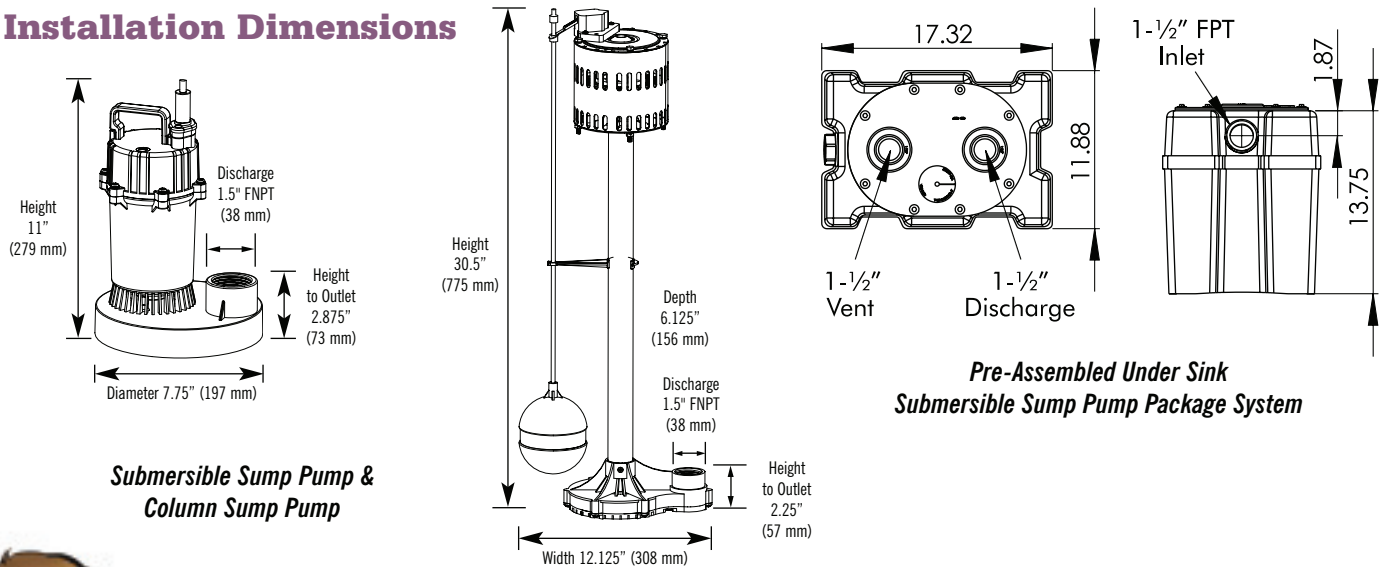
Sump Pump Specifications

Item Number	Model Number	Description	Switch Type	Max. Discharge Head (ft)	Max. Capacity (USGPM)	Voltage	Hz	Max. Current (Amp.)	RPM	Shipping Weight (lbs)
Submersible Sump Pumps										
8091	DSB180	1/4HP Submersible Sump Pump	Tethered	19	50.0	115	60	3	3450	9.5
8092	DSB180V	1/4HP Submersible Sump Pump	Vertical	19	50.0	115	60	3	3450	9.5
8093	DSB250	1/3HP Submersible Sump Pump	Tethered	23	53.3	115	60	4	3450	10
8094	DSB250V	1/3HP Submersible Sump Pump	Vertical	23	53.3	115	60	4	3450	10
8095	DSB370	1/2HP Submersible Sump Pump	Tethered	26	55.8	115	60	4.7	3450	11
8096	DSB370V	1/2HP Submersible Sump Pump	Vertical	26	55.8	115	60	4.7	3450	11
Column Sump Pumps										
8090	DSCN250	1/3HP Column Sump Pump	Vertical	16	53.3	115	60	4	1750	12

Under Sink Submersible Sump Pump Packages Specifications

Item No.	Description	Pump Model	HP	Switch Type	Inlet	Discharge	Dimensions W x D x H	Shipping Weight (lbs)
8101	Pre-Assembled Under Sink Pump Package DSB250VP	DSB250V	1/3 HP	Vertical	1-1/2" Female	1-1/2" Female	17.5" x 12" x 16"	19.5
8099	Economy Under Sink Pump Package DSB180VP	DSB180V	1/4 HP	Vertical	1-1/2" Female	1-1/2" Female	17.5" x 12" x 14"	19.5

Installation Dimensions



WaterGroup

WaterGroup's pump product line has a history dating back to 1932 when Pumps & Softeners Ltd., then based out of London, Ontario, manufactured Canada's first electrically powered piston water pumps. Check out our complete line of high quality pumps which are only available through your plumbing professional.



WATERGROUP INC.
FRIDLEY, MN
RANCHO CUCAMONGA, CA
1-800-354-7867

WATERGROUP COMPANIES INC.
CAMBRIDGE, ON
REGINA, SK
1-877-288-9888

www.watergroup.com

#57385 Rev. 9/09