

## SPECIFICATIONS:

**MODEL NUMBER:** 8075-111-313

**PUMP DESIGN:** Positive Displacement 3 Chamber Diaphragm Pump

**CAM:** 2.0 Degree

**MOTOR:** Permanent Magnet, P/N 11-155-05

**VOLTAGE:** 24 VAC Nominal

**MAX. INLET PRESSURE:** 80 PSI

**LIQUID TEMPERATURE:** 180 Degrees Fahrenheit (82 Degrees Centigrade) Max.

**PORTS:** 3/8" FNPT

**MATERIAL OF CONSTRUCTION:**

**PLASTICS-** Nylon

**VALVES-** EPDM

**DIAPHRAGM-** Santoprene

**FASTENERS-** Stainless Steel

**NET WEIGHT:** 4.6 Lbs (2.1 Kg)

**DUTY CYCLE:** Continuous

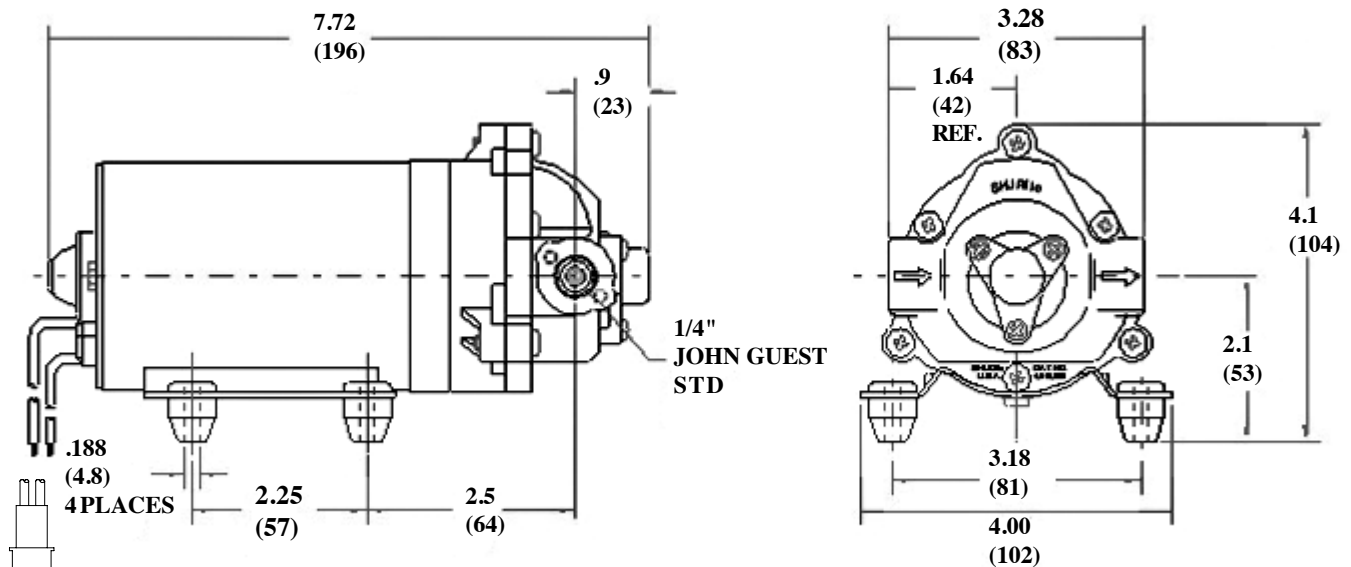
**APPROVALS:** N.S.F. Listed

**TYPICAL APPLICATIONS:** R.O. Boost Pump

**BYPASS:** 90 PSI Max. (6.2 Bar)

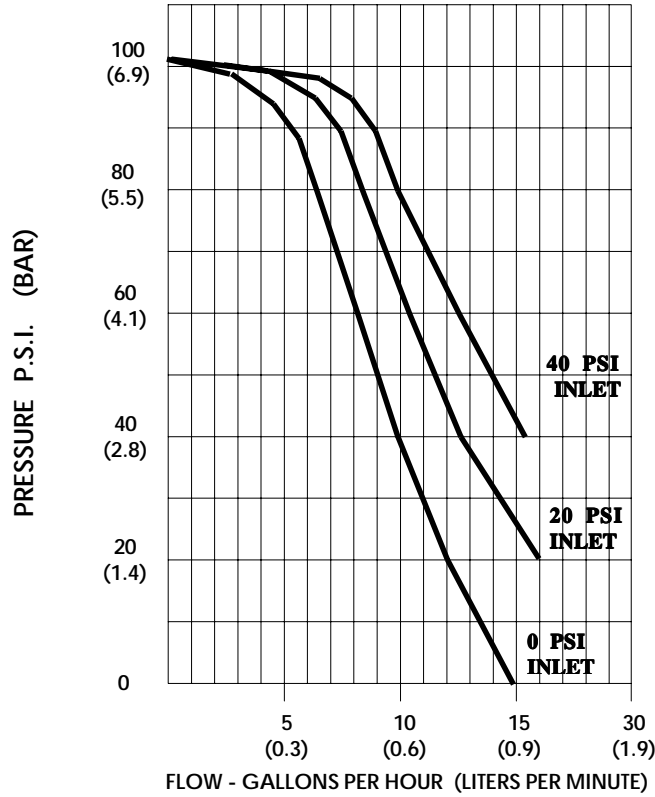
**SOUND LEVEL:** 44 DbA Max.

## DIMENSIONS:



# TYPICAL PERFORMANCE

MODEL: 8075-111-313



<b>@ "0" PSI INLET PRESSURE</b>				
<b>PRESSURE (PSI)</b>	<b>FLOW (GPH/LPM)</b>	<b>RPM MIN/MAX</b>	<b>CURRENT (AMPS)</b>	<b>VOLTAGE (VOLTS)</b>
OPEN	14.7/.93	350/370	0.25	24 VAC
10	13.0/.82	350/360	0.32	"
20	11.9/.75	340/350	0.38	"
30	10.8/.68	320/330	0.44	"
40	9.8/.62	310/315	0.49	"
50	8.9/.57	300/310	0.54	"
60	8.2/.52	290/300	0.58	"
70	7.5/.47	280/290	0.62	"
80	6.7/.42	270/280	0.66	"
90	5.9/.37	260/270	0.70	"

**-SPECIFICATIONS SUBJECT TO CHANGE WITHOUT NOTICE.  
-ALL DATA BASED ON TESTING WITH WATER.**