

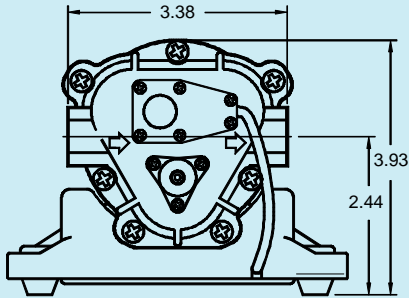
AQUAJET 5800 SERIES PUMP

Model: 5853-GB12-V81D

IDENTIFYING THE PART NUMBER:

5853-GB12-V81D

BASEPLATE AS SHOWN
115VAC MOTOR
EMI/RFI NOISE SUPPRESSION
BEVERAGE AND DRINKING WATER DELIVERY
NSF OR FDA LISTED MATERIALS
PRESSURE REGULATED AT 40 PSI
PRESSURE SENSING MOTOR CONTROLLER
3.5 DEGREE CAM
PUSH-TO-CONNECT PORTS FOR 3/8" TUBING
SERIES 5800 PUMP



SPECIFICATIONS:

■ MOTOR:

TYPE:

115 VAC, Permanent Magnet,
Totally Enclosed, Non-Ventilated

LEADS:

18 AWG, 6' Long Power Cord

TEMP. LIMITS:

For User Safety, Optimal Performance, and
Maximum Motor Life, This Motor is Equipped with a
Thermal Protector that Limits the Motor Shell
Temperature to 145°F (63°C), as Shown on the Heat
Rise Graph.

DUTY CYCLE:

See Heat Rise Graph

■ PRESSURE CONTROLLER:

Factory Set to Approximately 40 PSI.

■ PUMP DESIGN:

3 Chamber Diaphragm Pump, Self Priming,
Capable of Being Run Dry

■ TYPICAL APPLICATION:

Beverage and Drinking Water Delivery

■ MATERIALS:

PUMP HOUSINGS:	Polypropylene
VALVES:	EPDM
DIAPHRAGM:	Santoprene
FASTENERS:	Stainless Steel
CONTROLLER HOUSING:	Aluminum

■ LIQUID TEMPERATURE:

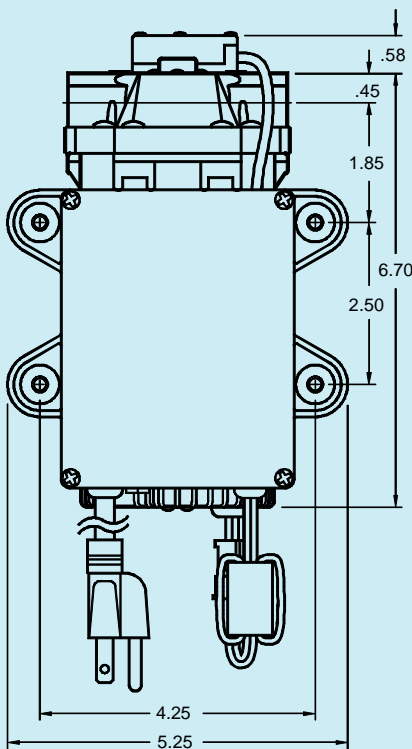
140°F (60°C) Max.

■ PUMP CERTIFICATIONS:

NSF Standard 58

■ PRIMING CAPABILITIES:

9 Feet



WEIGHT: 6 lbs.



Aquatec Water Systems, Inc.
17422 Pullman
Irvine, CA 92614
Sales: 949-225-2200
Fax: 949-225-2222

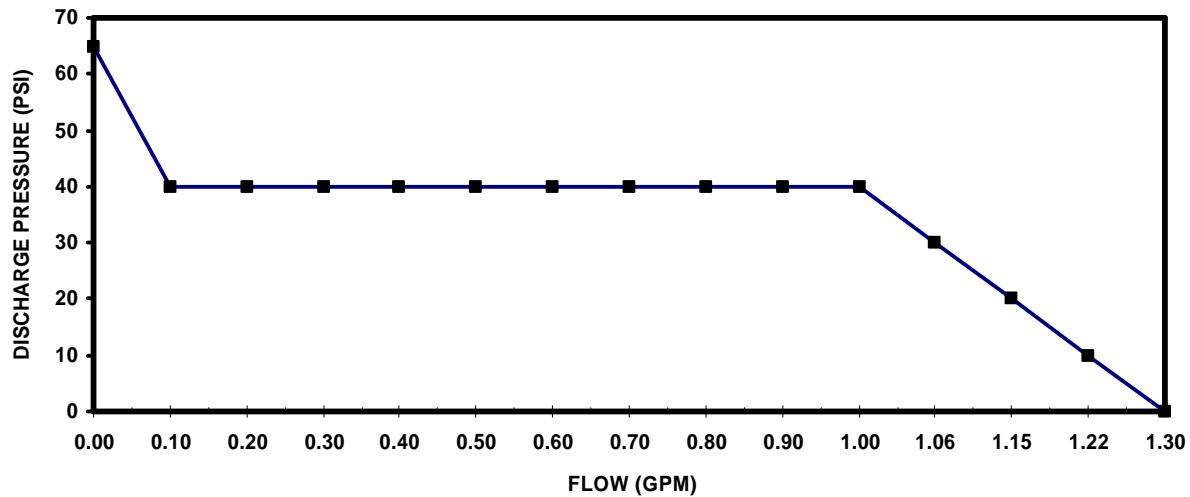
www.aquatec.com

DOCUMENT: DS5853-GB12-V81D
ISSUED: 3/15/02
REVISED: 3/15/02

AQUAJET 5800 SERIES PUMP

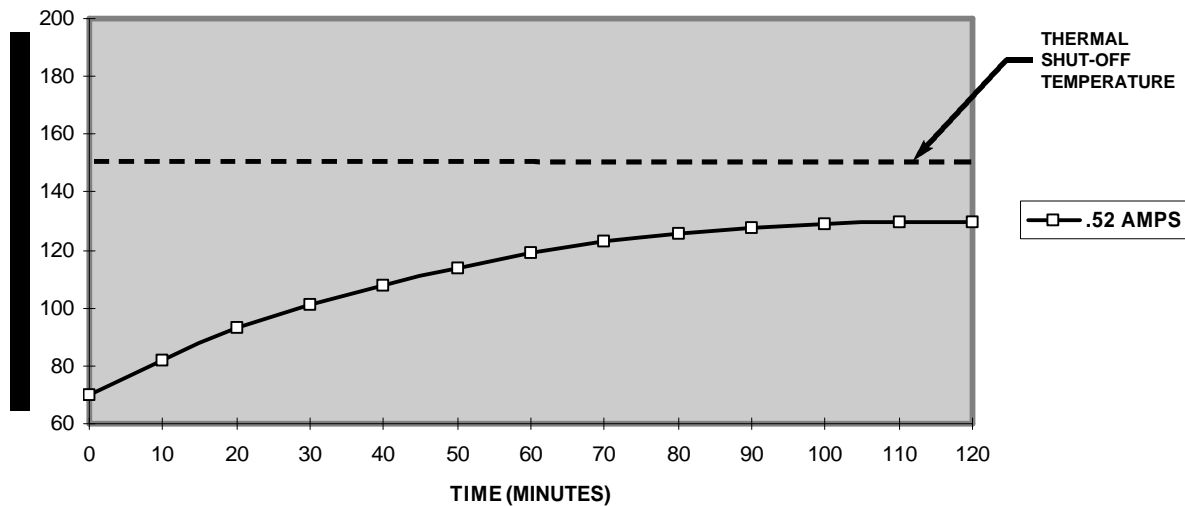
Model: 5853-GB12-V81D

PERFORMANCE DATA



PERFORMANCE MEASURED WITH FLOODED INLET (0 PSI), 70°F (21°C) AMBIENT AND WATER TEMPERATURE, AND VOLTAGE CONTROLLED AT 115 VAC. FLOWS WERE RECORDED AFTER TEMPERATURES HAD STABILIZED. POSITIVE INLET PRESSURE WILL INCREASE THE MAXIMUM FLOW AT THE REGULATED DISCHARGE PRESSURE. MAXIMUM INLET PRESSURE IS 60 PSI.

HEAT RISE



This pump model stays in the shaded area of the Performance Data and Heat Rise charts, meaning it is capable of sustaining continual running, at any of the above listed pressures, without shutting down to allow the motor to cool. To conserve wearing parts, however, the pump should only operate as needed.

ALL PERFORMANCE AND HEAT RISE FIGURES ARE APPROXIMATE. ACTUAL VALUES WILL VARY WITH AMBIENT CONDITIONS.