

Coldrink 4 - 4FC System

Delivers premium quality water for high flow fountain applications



APPLICATIONS

Fountain

FEATURES AND BENEFITS

Improves the taste of fountain beverages and helps retain the drink's carbonation.

Balanced cartridge for optimum performance in varying water qualities.

Protects drink system seals, pump, tubing and small orifices from clogging, corrosion and abrasive wear.

Reduces chlorine taste and odor and other offensive contaminants.

New Fibredyne™ II media inhibits the growth of bacteria.

Fibredyne submicron carbon block technology reduces dirt and particles as small as 1/2 micron in size and reduces health contaminants such as cysts.

10" prefilter reduces dirt and particles.

Manifold features water shut-off, flushing valve and outlet pressure gauge.

Plate-mounted system allows for easy installation and start-up.

Sanitary cartridge replacement is simple, quick and clean. Internal filter parts are never exposed to handling or contamination.

NSF Certified under NSF/ANSI Standards 42 & 53.



Coldrink 4 - 4FC System EV9328-44
4FC Replacement Cartridge: EV9692-21 (1 PK)
EC110 Prefilter Cartridge: EV9534-12 (12 PK)

OPERATIONAL TIPS

Change cartridges on a regular 6 month preventative maintenance program.

Change cartridges when capacity is reached or when pressure falls below 10 psi.

Service flow rate must not exceed 10.0 gpm.

Always flush the filter cartridge at time of installation and cartridge change.

Inspect EC110 cartridge periodically to determine dirt load.

Replace EC110 cartridge when dirt has penetrated through to the inner core of the cartridge.

SPECIFICATIONS

Overall Dimensions:	19.5" H x 29.36" x 6.75" D (49.53 X 74.57 X 17.14 cm)
Inlet Connection	3/4"
Outlet Connection	3/4"
Service Flow Rate:	Maximum 10.0 gpm (37.85 Lpm)
Rated Capacity:	60,000 Gallons (227,124 L)
Pressure Requirements:	10 - 125 psi (0.7 - 8.6 bar), non-shock
Maximum Temperature:	35 - 100°F (2 - 38°C)
Electrical Connection:	None required
Shipping Weight:	35 lbs. (15.87 kg)
Operating Weight:	43 lbs. (10.50 kg)

Coldrink 4 - 4FC System

EV9328-44

INSTALLATION TIPS

Choose a mounting location suitable to support the full weight of the system when operating.

Never use a saddle valve for connection.

Use 3/4" water line.

Do not connect system to water-cooled condenser.

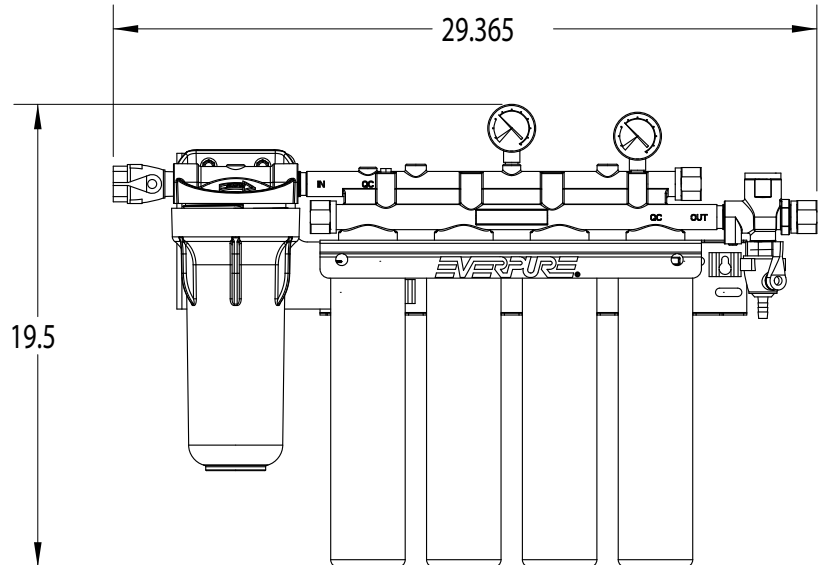
Install vertically with cartridges hanging down and allow 2½" clearance below the cartridge for easy cartridge replacement.

Flush cartridges by running water through system for five minutes at full flow.

The contaminants or other substances removed or reduced by this drinking water system are not necessarily in your water. Do not use with water that is microbiologically unsafe or of unknown quality without adequate disinfection before or after the system. Systems certified for cyst reduction may be used with disinfected water that may contain filterable cysts.

Everpure water treatment systems (excluding replaceable elements) are covered by a limited warranty against defects in material and workmanship for a period of five years after date of purchase. Everpure replaceable elements (filter cartridges and water treatment cartridges) are covered by a limited warranty against defects in material and workmanship for a period of one year after date of purchase. See printed warranty for details. Everpure will provide a copy of the warranty upon request.

Everpure reserves the right to update specifications, change prices, or make substitutions without notice.



System Tested and Certified by NSF International against NSF/ANSI Standards 42 and 53 for the reduction of:

Standard No. 42 —
Bacteriostatic Effects
Aesthetic Effects
Chemical Reduction
Taste and Odor
Chlorine
Mechanical Filtration
Particulate Class I

Standard No. 53 —
Health Effects
Mechanical Filtration
Turbidity
Cyst

EV9328-44 Coldrink 4 - 4FC AP11

EVERPURE®

WATER YOU CAN TRUST®

Visit our website at www.everpure.com

Everpure-SHURflo India
Green Boulevard, B-9/A, 7th Floor -
Tower B Sector 62, Noida - 201301
TEL: 91.120.419.9444
FAX: 91.120.419.9400
EMAIL: indiacustomer@pentair.com

Everpure-SHURflo Japan Inc.
Hashimoto MN Bldg. 7F
3-25-1 Hashimoto, Midori-ku
Sagamihara-Shi Kanagawa 252-0143
JAPAN
TEL: 81.(0)42.775.3011
FAX: 81.(0)42.775.3015
EMAIL: info@everpure.co.jp

Everpure-SHURflo China
21F Cloud 9 Plaza, No 1118,
Shanghai, 200052
CHINA
TEL: 86.21.3211.4588
FAX: 86.21.3211.4580
EMAIL: China.Water@Pentair.com

Pentair Filtration Solutions, LLC
World Headquarters-Everpure/SHURflo
North and South America Sales
1040 Muirfield Dr.
Hanover Park, Illinois 60133
USA
TEL: 800.942.1153 (US only)
TEL: 630.307.3000
FAX: 630.307.3030
EMAIL: cseverpure@pentair.com

Everpure-SHURflo Australia
2 Redwood Drive
Notting Hill
Victoria, 3168
AUSTRALIA
TEL: 011.61.39.574.4000
FAX: 011.61.39.562.7237
EMAIL: au.everpure@pentair.com

Everpure-SHURflo Southeast Asia
18 Boon Lay Way
#04-110/111
TradeHub 21, 609966
SINGAPORE
TEL: 65.6795.2213
FAX: 65.6795.2219
EMAIL: cseverpure@pentair.com

Everpure-SHURflo Europe
Pentair Water Belgium bvba
Industriepark Wolfstee
Toekomstlaan
30 B-2200 Herentals, BELGIUM
TEL: +32.(0).14.283.500
FAX: +32.(0).14.283.505
EMAIL: sales@everpure-europe.com