



T&S BRASS AND BRONZE WORKS, INC.

2 Saddleback Cove / P.O. Box 1088
Travelers Rest, SC 29690



REG. #A2601
ISO #9001

Model No.

B-0833

Item No.

Travelers Rest, SC: 800-476-4103 Simi Valley, CA: 800-423-0150 Fax: 864-834-3518 www.tsbrass.com

This Space for Architect/Engineer Approval

Job Name _____ Date _____

Model Specified _____ Quantity _____

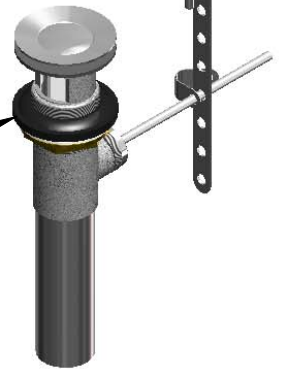
Customer/Wholesaler _____

Contractor _____


Architect/Engineer _____



ADA Compliant

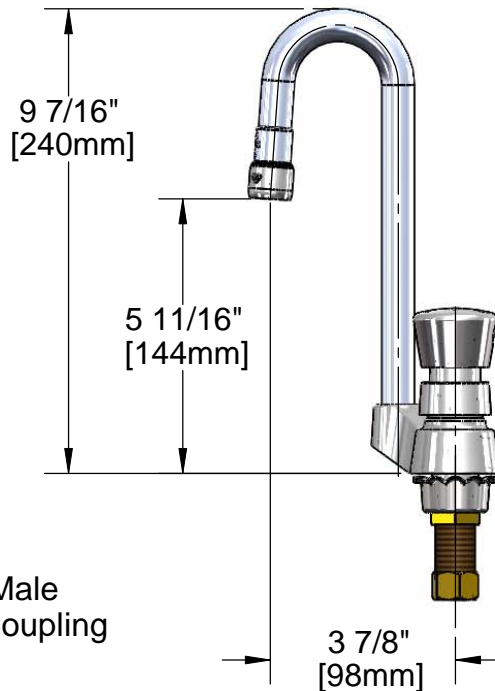
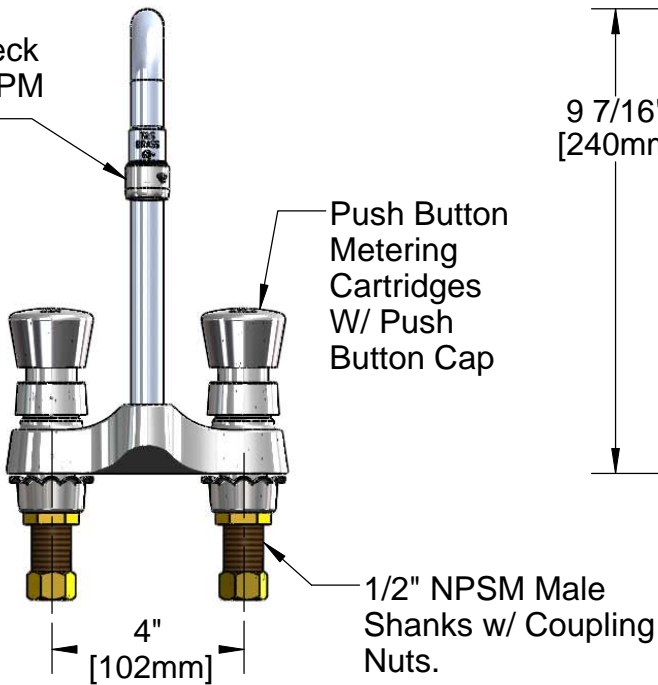


Furnished w/ 014734-45 Spanner Bit to Access Metering Adjustment (Metering Adjustment Requires 3/32" Hex Key)



Furnished w/ Pop-Up Drain Assembly

Rigid Gooseneck w/ 2.2 GPM Aerator



Rough-in: ϕ 1-1/8" [29mm] Holes

Product Specifications:

4" Centerset Mixing Faucet w/ 1/2" NPSM Male Shanks, Push Button Metering Cartridges, Rigid Gooseneck, 2.2 GPM Aerator

Drawn KJG	Checked DHL	Approved JHB
Scale: 1:4		Date: 07/19/10



T&S BRASS AND BRONZE WORKS, INC.

2 Saddleback Cove / P.O. Box 1088
Travelers Rest, SC 29690

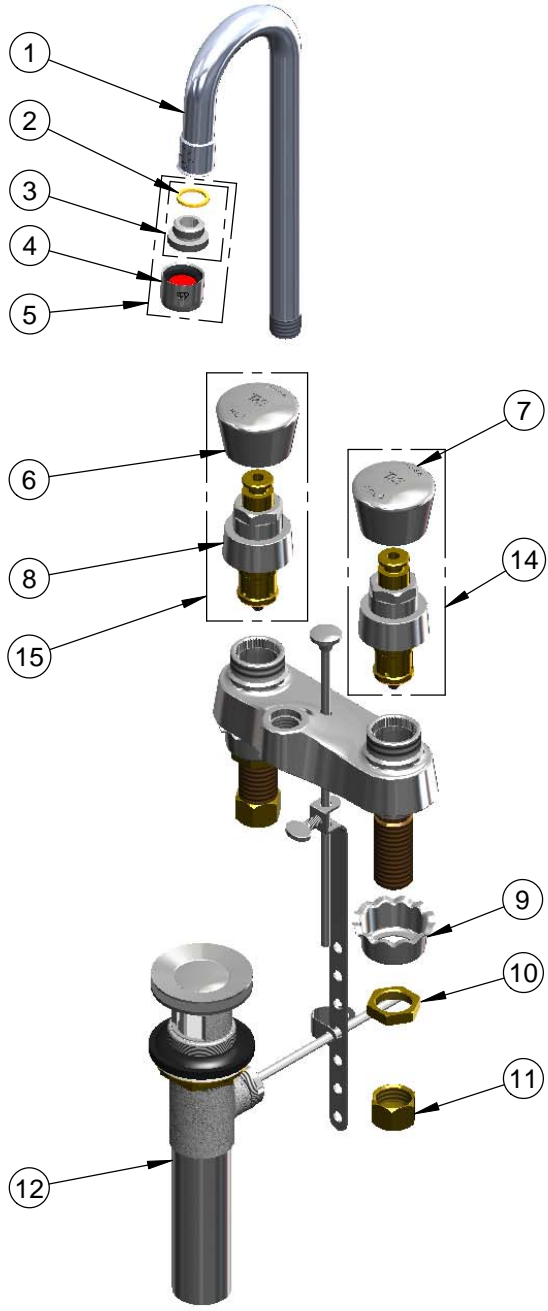


REG. #A2601
ISO #9001

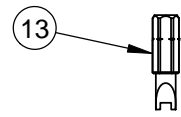
Model No.
B-0833

Item No.

Travelers Rest, SC: 800-476-4103 Simi Valley, CA: 800-423-0150 Fax: 864-834-3518 www.tsbrass.com



ITEM NO.	SALES NO.	DESCRIPTION
1	000393-40	Rigid Gooseneck
2	001043-45	Washer
3	044A	3/8" to Aerator Adapter
4	B-0199-01	2.2 GPM Aerator, Female
5	B-0199-02	Aerator, 2.2 GPM, 3/8" NPSM
6	014194-40	Hot Cap Assembly
7	014195-40	Cold Cap Assembly
8	238A	Push Button Metering Ctg.
9	001000-45	Rosette Washer
10	002954-45	Shank Lock Nut
11	000958-20	Coupling Nut
12	B-0898	Pop-Up
13	014734-45	Spinner Bit
14	238AC	Push Button Metering Cartridge w/ Cold Push Button Asm & Spanner Bit
15	238AH	Push Button Metering Cartridge w/ Hot Push Button Asm & Spanner Bit



Product Specifications:

4" Centerset Mixing Faucet w/ 1/2" NPSM Male Shanks,
Push Button Metering Cartridges, Rigid Gooseneck,
2.2 GPM Aerator

Drawn KJG	Checked DHL	Approved JHB
Scale: 1:4		Date: 07/19/10