

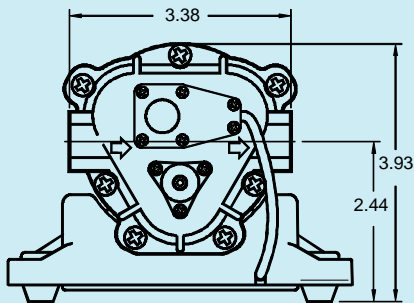
AQUAJET 5800 SERIES PUMP

Model: 5853-GE12-V81D

IDENTIFYING THE PART NUMBER:

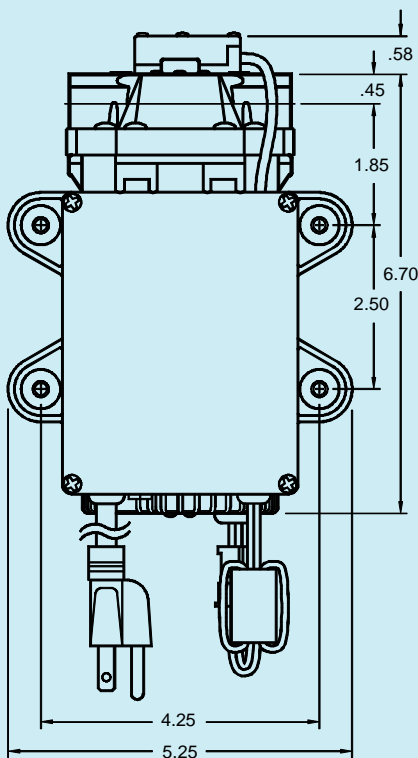
5853-GE12-V81D

| |
|---------------------------------------|
| BASEPLATE AS SHOWN |
| 115VAC MOTOR |
| EMI/RFI NOISE SUPPRESSION |
| BEVERAGE AND DRINKING WATER DELIVERY |
| NSF OR FDA LISTED MATERIALS |
| PRESSURE REGULATED AT 60 PSI |
| PRESSURE SENSING MOTOR CONTROLLER |
| 3.5 DEGREE CAM |
| PUSH-TO-CONNECT PORTS FOR 3/8" TUBING |
| SERIES 5800 PUMP |



SPECIFICATIONS:

- **MOTOR:**
 - TYPE: 115 VAC, Permanent Magnet, Totally Enclosed, Non-Ventilated
 - LEADS: 18 AWG, 6' Long Power Cord
 - TEMP. LIMITS: For User Safety, Optimal Performance, and Maximum Motor Life, This Motor is Equipped with a Thermal Protector that Limits the Motor Shell Temperature to 145°F (63°C), as Shown on the Heat Rise Graph.
 - DUTY CYCLE: See Heat Rise Graph
- **PRESSURE CONTROLLER:** Factory Set to Approximately 60 PSI.
- **PUMP DESIGN:** 3 Chamber Diaphragm Pump, Self Priming, Capable of Being Run Dry
- **TYPICAL APPLICATION:** Beverage and Drinking Water Delivery
- **MATERIALS:**
 - PUMP HOUSINGS: Polypropylene
 - VALVES: EPDM
 - DIAPHRAGM: Santoprene
 - FASTENERS: Stainless Steel
 - CONTROLLER HOUSING: Aluminum
- **LIQUID TEMPERATURE:** 140°F (60°C) Max.
- **PUMP CERTIFICATIONS:** NSF Standard 58
- **PRIMING CAPABILITIES:** 9 Feet



WEIGHT: 6 lbs.



Aquatec Water Systems, Inc.
17422 Pullman
Irvine, CA 92614
Sales: 949-225-2200
Fax: 949-225-2222

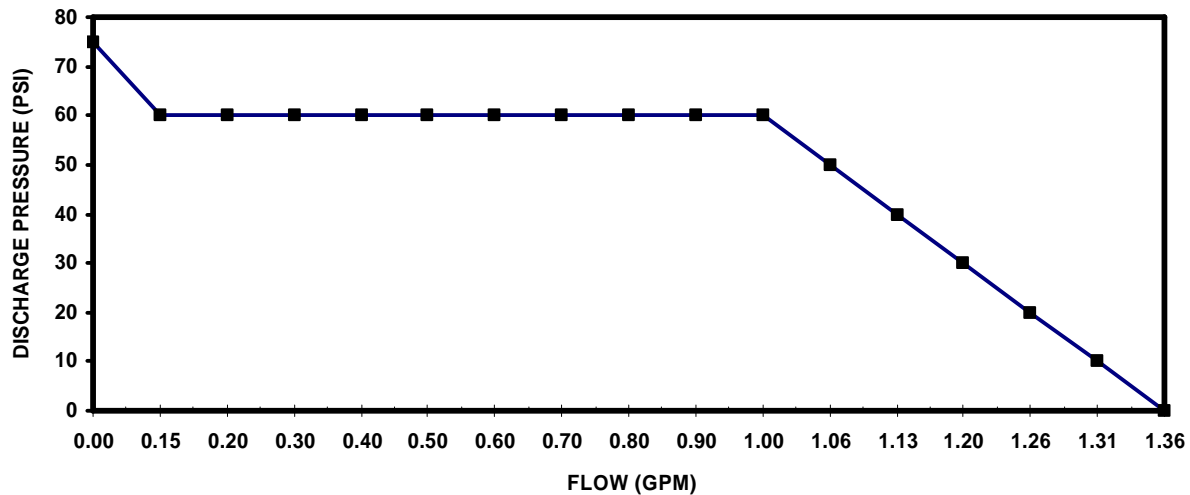
www.aquatec.com

DOCUMENT: DS5853-GE12-V81D
ISSUED: 3/15/02
REVISED: 3/15/02

AQUAJET 5800 SERIES PUMP

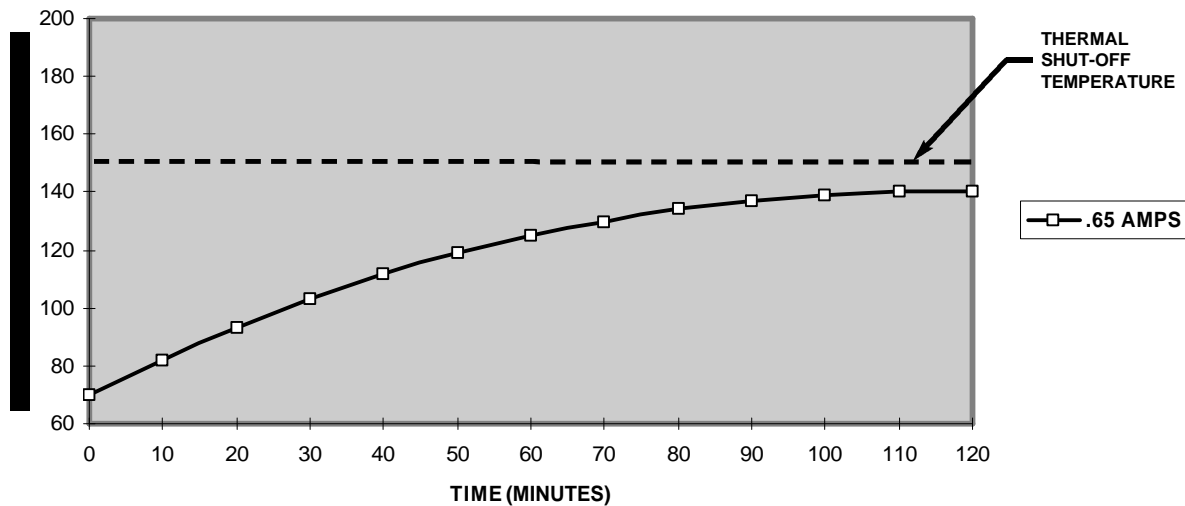
Model: 5853-GE12-V81D

PERFORMANCE DATA



PERFORMANCE MEASURED WITH FLOODED INLET (0 PSI), 70°F (21°C) AMBIENT AND WATER TEMPERATURE, AND VOLTAGE CONTROLLED AT 115 VAC. FLOWS WERE RECORDED AFTER TEMPERATURES HAD STABILIZED. POSITIVE INLET PRESSURE WILL INCREASE THE MAXIMUM FLOW AT THE REGULATED DISCHARGE PRESSURE. MAXIMUM INLET PRESSURE IS 60 PSI.

HEAT RISE



This pump model stays in the shaded area of the Performance Data and Heat Rise charts, meaning it is capable of sustaining continual running, at any of the above listed pressures, without shutting down to allow the motor to cool. To conserve wearing parts, however, the pump should only operate as needed.

ALL PERFORMANCE AND HEAT RISE FIGURES ARE APPROXIMATE. ACTUAL VALUES WILL VARY WITH AMBIENT CONDITIONS.