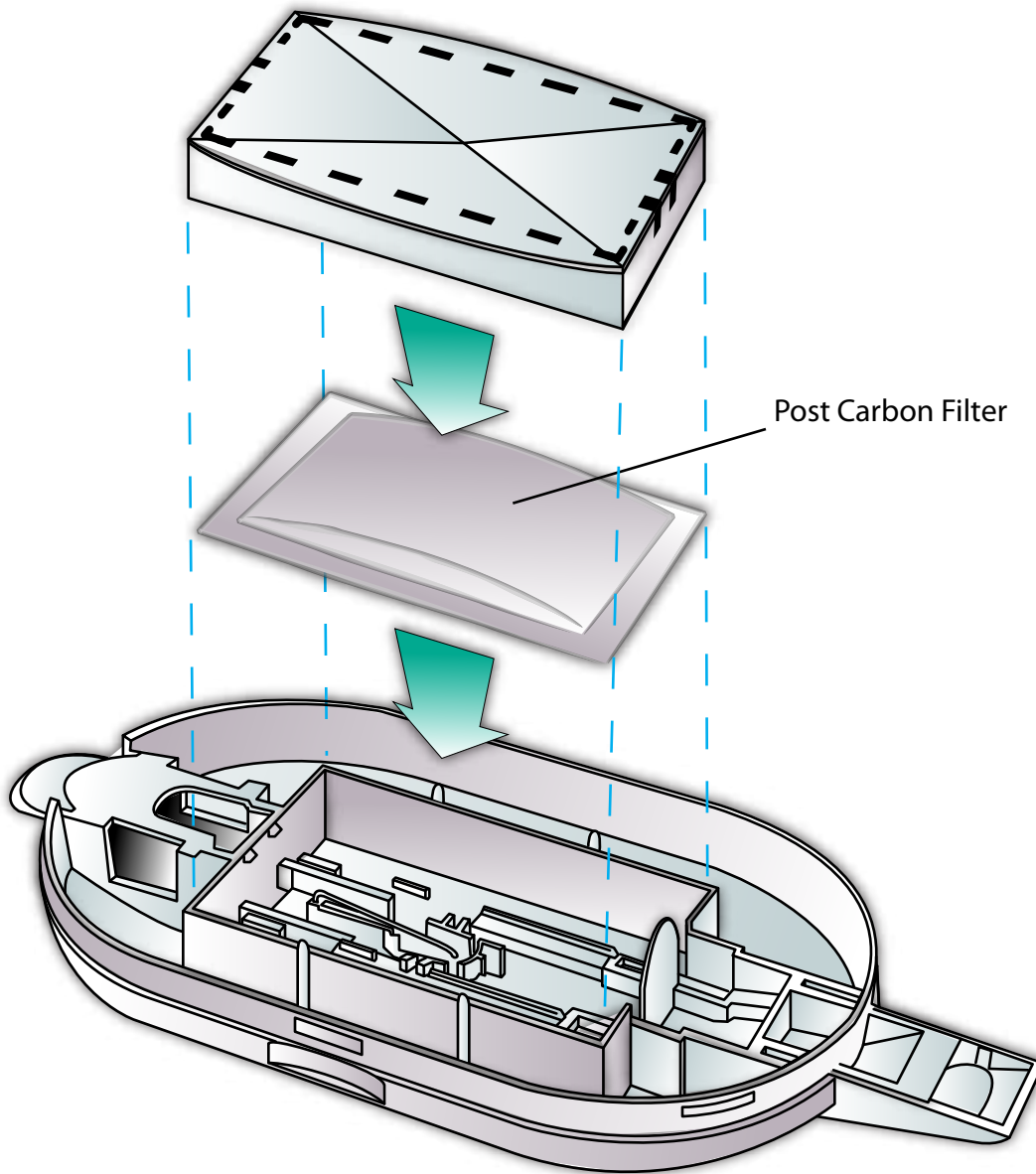


# Installation / Replacement Diagram



## BEFORE USING A NEW FILTER

Immerse the new carbon filter in a separate container filled with water for 5 to 10 minutes to saturate the filter.



Available From:  
**freshwatersystems.com**  
serving you since 1989

[CLICK HERE](#)