



**T&S BRASS AND BRONZE WORKS, INC.**

2 Saddleback Cove / P.O. Box 1088  
Travelers Rest, SC 29690

Model No.

**B-0305**

Item No.

Travelers Rest, SC: 800-476-4103 • Simi Valley, CA: 800-423-0150 • Fax: 864-834-3518 • www.tsbrass.com

This Space for Architect/Engineer Approval

Job Name \_\_\_\_\_ Date \_\_\_\_\_

Model Specified \_\_\_\_\_ Quantity \_\_\_\_\_

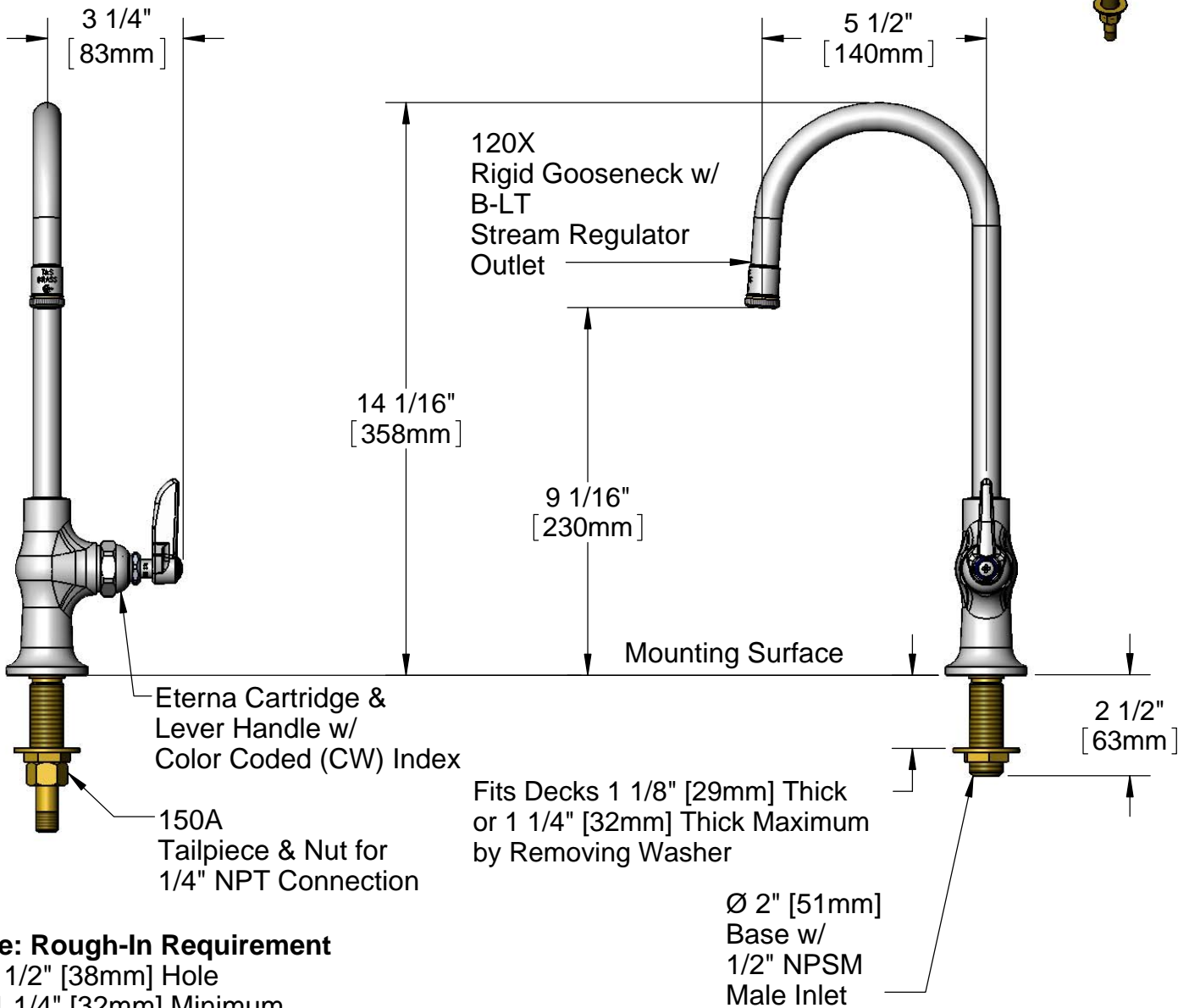
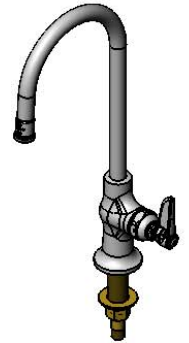
Customer/Wholesaler \_\_\_\_\_

Contractor \_\_\_\_\_

Architect/Engineer \_\_\_\_\_



**ADA Compliant**



**Note: Rough-In Requirement**

Ø 1 1/2" [38mm] Hole  
(Ø 1 1/4" [32mm] Minimum)

Product Specifications:  
Single Temperature Deck Mount Faucet w/ Eterna Cartridge, Lever Handle, Rigid Gooseneck w/ B-LT Stream Regulator Outlet & Tailpiece

Drawn <b>DHL</b>	Checked <b>KJG</b>	Approved <b>JHB</b>
Scale: <b>1:4</b>		Date: <b>11/10/11</b>



# T&S BRASS AND BRONZE WORKS, INC.

2 Saddleback Cove / P.O. Box 1088  
Travelers Rest, SC 29690

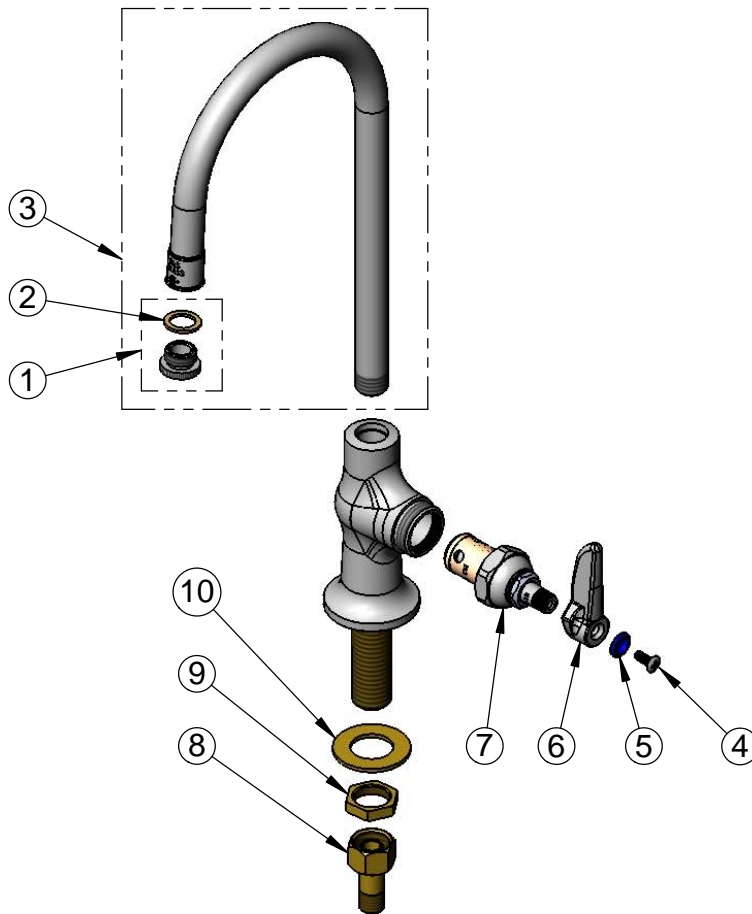
Model No.

**B-0305**

Item No.

Travelers Rest, SC: 800-476-4103 • Simi Valley, CA: 800-423-0150 • Fax: 864-834-3518 • www.tsbrass.com

ITEM NO.	SALES NO.	DESCRIPTION
1	B-LT	Stream Regulator Outlet
2	001043-45	Washer
3	120X	Gooseneck w/ B-LT Stream Regulator Assembly
4	000922-45	Lever Handle Screw
5	001660-45	Blue Index-CW
6	001638-45	Lever Handle
7	005960-40	Spindle Asm, Eterna "Hot"
8	150A	Bag of (1) Nut & (1) Tailpiece
9	002954-45	Shank Lock Nut
10	000999-45	Brass Lock Washer



Product Specifications:  
Single Temperature Deck Mount Faucet w/ Eterna Cartridge,  
Lever Handle, Rigid Gooseneck w/ B-LT Stream Regulator  
Outlet & Tailpiece

Drawn

**DHL**

Checked

**KJG**

Approved

**JHB**

Scale:

**NTS**

Date:

**11/10/11**