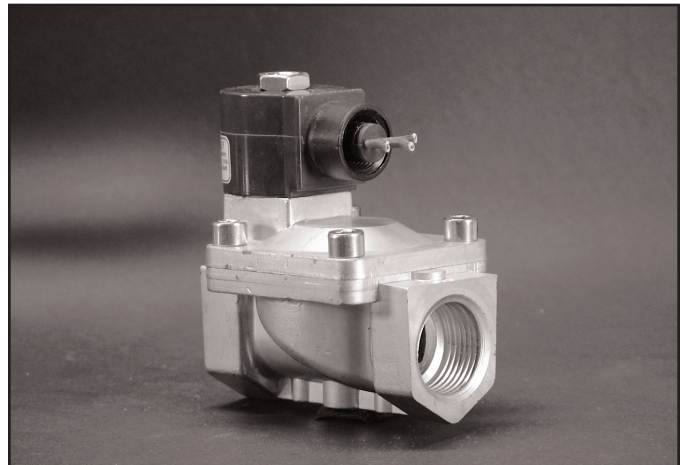


- 1" NPT
- Brass Body
- 2-Way Piloted Diaphragm
- Normally Open



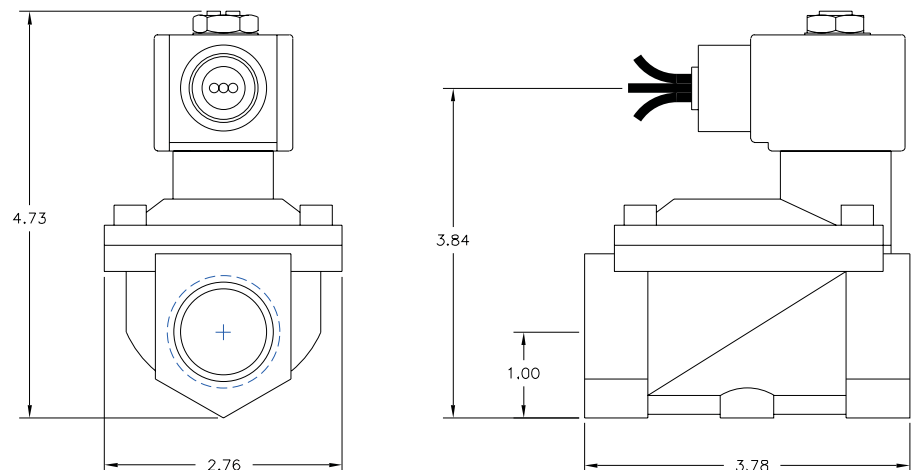
Materials	Seals:	Nitrile, Viton®, Ethylene Propylene
	Orifice:	Pilot Main Brass Brass Ø 1"
Electrical	Standard Housing:	Encapsulated Waterproof Conduit (NEMA 4/4X)
	Optional Housings:	Metallic Conduit, Explosion-proof (NEMA 7), Grommet, Open Frame, Junction Box (single or dual knockouts), DIN; Contact GC Valves Customer Service for others.
	Standard Voltages:	24, 120, 240 AC 60 Hz; 50 Hz available 6, 12, 24 DC; Contact GC Valves Customer Service for Additional Voltages.
	Voltage Tolerance:	±10% of applicable voltage
	Coil Classes:	F, H, N
	Standard Lead Length:	24 inch
Operating Temperature	Ambient (Nominal):	32°F to 125°F
Mounting	Position:	Any
Approvals*	Agency:	UL Recognized, CSA Approved

\* Not available for all variations

® Registered Trademark of DuPont Co.

## Dimensions/Weight

<b>Weight (lbs.)</b>
6.5



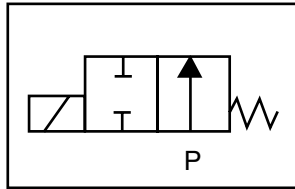
GC Valves Customer Service: 800-828-0484 (7:30am to 4pm ET) or 800-582-4232 (7:30am to 4pm PT)



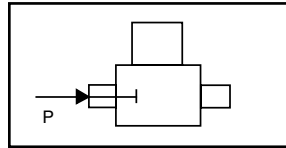
# S712 – 3" NPT, Brass Body, Normally Open

## Valve Selection List

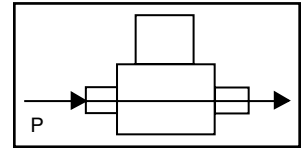
Normally Open



Energized



De-Energized



Pipe Size NPT	Orifice Size IN	C <sub>v</sub>	Minimum	Operating Pressure Differential (psi)								Max Fluid Temp. °F	Seal Material	Power Consumption (Watts)		Model Code ( 120V/60HZ — 110V/50HZ Shown )
				Maximum										AC	DC	
				Air/Gas		Water		Light Oil		Steam*						
				AC	DC	AC	DC	AC	DC	AC	DC			AC	DC	Brass Body
FÁ	ÁÁ	FGÁ	7	225	150	225	150	--	--	--	--	295	EPR	9	8	S712GF02C9ØÖJ
	Á	ÁFGÁ	7	225	150	225	150	185	150	--	--	180	Buna	9	8	S712GF02N9ØÖJÁ
	Á	ÁÁ	FGÁ	7	225	150	225	150	185	150	--	--	230	Viton	9	8

\* Class H Coil Recommended for High Temperature Applications

## Part Numbering

1	2	3	4	5	6	7	8	9	10	11	12	13
S	7	1	2	G	F	0	2	N	9	F	G	9
Series			Operating Mode	Housing*	Coil Class*	Voltage*		Seal Material	Body Material	Pipe Connection	Orifice Size	
S71			2: Normally Open	G: Conduit	F: Class F H: Class H	02: 120/60 110/50		C: EPR N: Nitrile V: Viton	9: Brass	Ø F" NPV/ØÖJ: F"		
* See the "Engineering Guide" for additional voltages, variations and options.												

## Coil Data

Coil Family	
Type	Size
ALL	S3

Frequency (Hz)	60	50
Nominal Power (VA)	Inrush	36
	Holding	18

GC Valves Customer Service: 800-828-0484 (7:30am to 4pm ET) or 800-582-4232 (7:30am to 4pm PT)