



# T&S BRASS AND BRONZE WORKS, INC.

2 Saddleback Cove / P.O. Box 1088  
Travelers Rest, SC 29690

Model No.

**B-7245-06**

Item No.

Travelers Rest, SC: 800-476-4103 • Simi Valley, CA: 800-423-0150 • Fax: 864-834-3518 • www.tsbrass.com

This Space for Architect/Engineer Approval

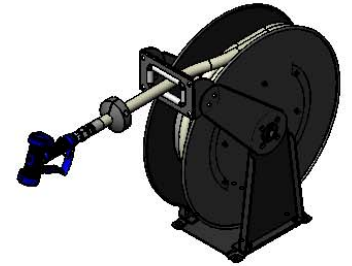
Job Name \_\_\_\_\_ Date \_\_\_\_\_

Model Specified \_\_\_\_\_ Quantity \_\_\_\_\_

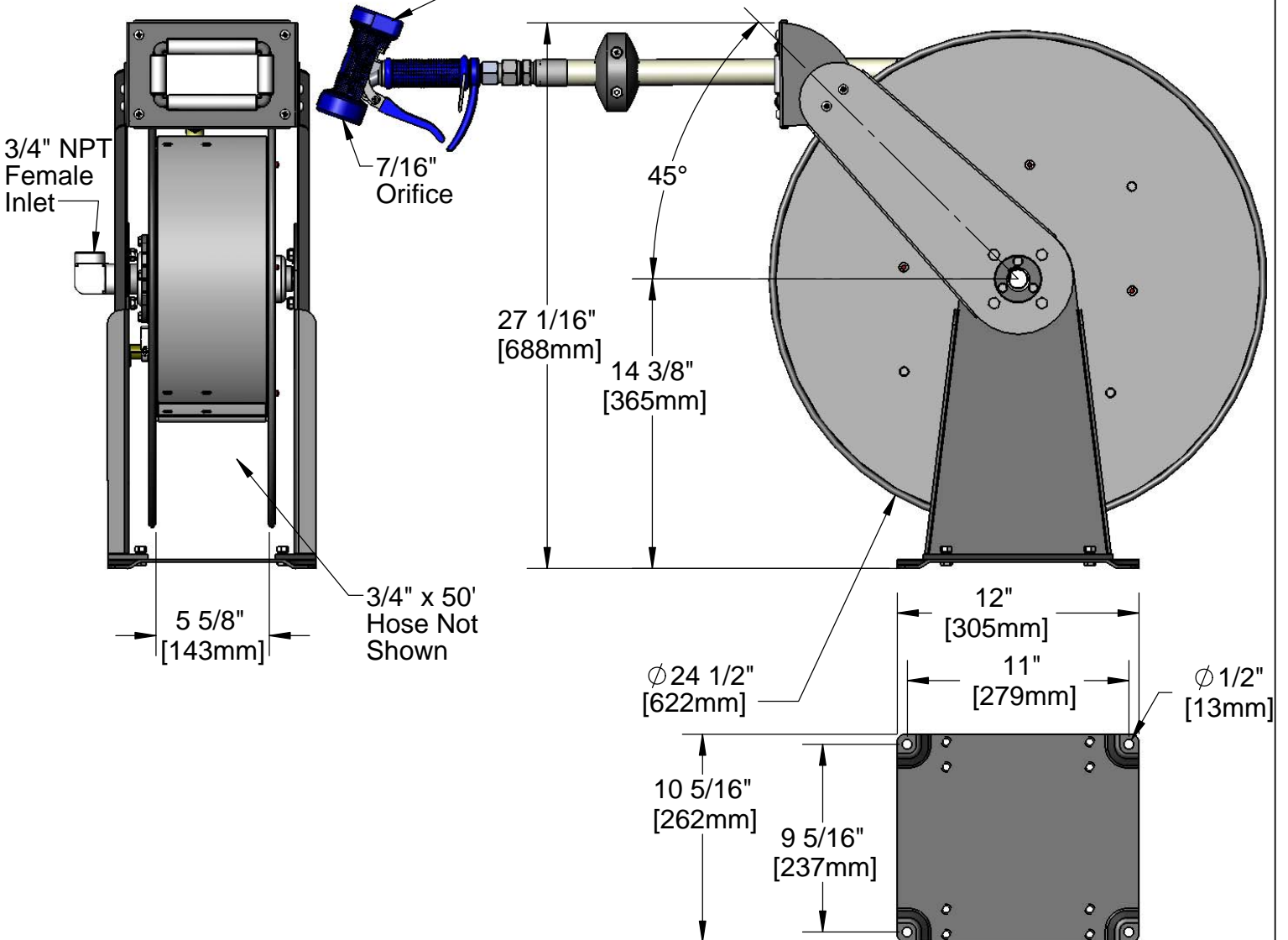
Customer/Wholesaler \_\_\_\_\_

Contractor \_\_\_\_\_

Architect/Engineer \_\_\_\_\_



MV-2522-34  
Front Trigger Water Gun  
w/ Stainless Steel Body &  
Royal Blue Rubber Cover



Product Specifications:  
Epoxy Coated Open Hose Reel w/ 3/4" x 50' Creamery  
Hose, MV-2522-34 Front Trigger Water Gun & Double  
Arm Support

Drawn <b>JRM</b>	Checked <b>DHL</b>	Approved <b>JHB</b>
Scale: <b>1:8</b>		Date: <b>04/05/12</b>