



T&S BRASS AND BRONZE WORKS, INC.
 2 Saddleback Cove / P.O. Box 1088
 Travelers Rest, SC 29690

Model No.
B-0230-CR-LN

Item No.

Travelers Rest, SC: 800-476-4103 • Simi Valley, CA: 800-423-0150 • Fax: 864-834-3518 • www.tsbrass.com

This Space for Architect/Engineer Approval

Job Name _____ Date _____

Model Specified _____ Quantity _____

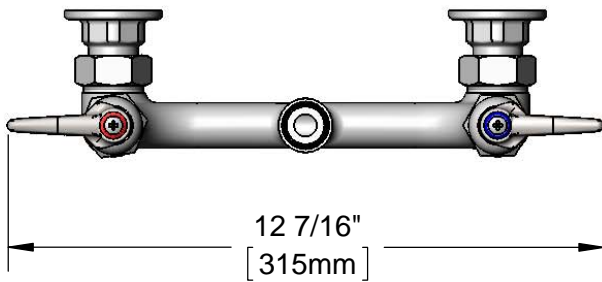
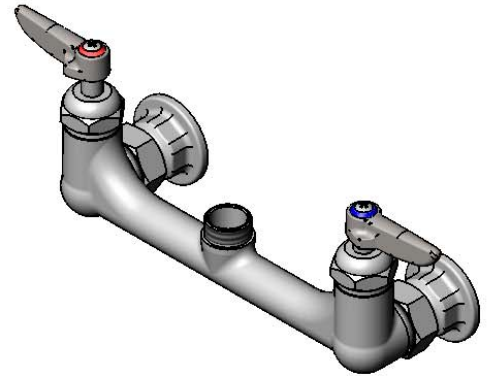
Customer/Wholesaler _____

Contractor _____

Architect/Engineer _____

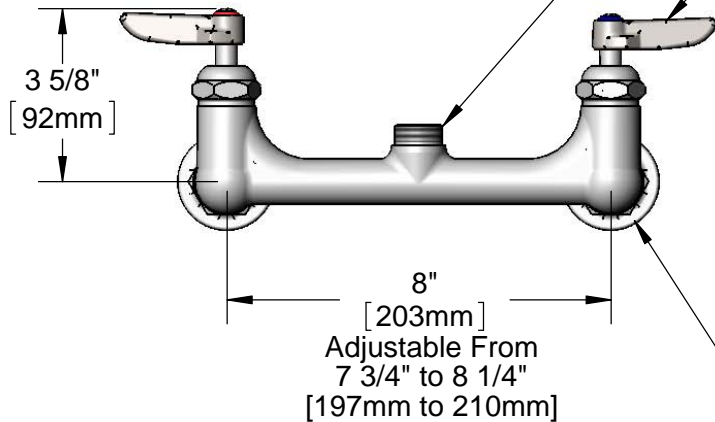


ADA Compliant

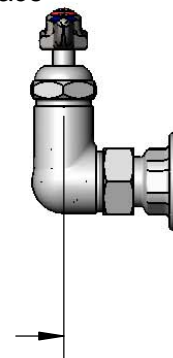


Swivel Outlet Accepts Standard T&S Swing Nozzles

Cerama Cartridges & Lever Handles w/ Color Coded Indexes



Mounting Surface



2 3/8" [61mm]

Ø 2" [51mm] Flanges w/ 1/2" NPT Female Inlets

Product Specifications:

8" Wall Mount Mixing Faucet w/ Cerama Cartridges, Lever Handles & 1/2" NPT Female Inlets (Less Nozzle)

Drawn

DHL

Checked

DMH

Approved

JHB

Scale:

1:4

Date:

05/22/13



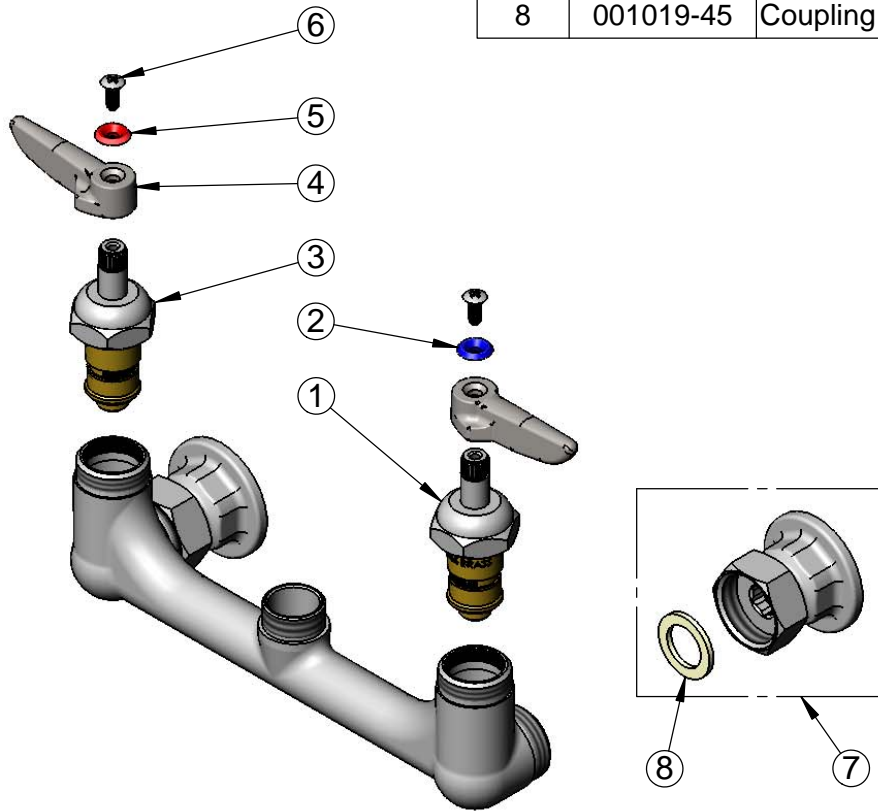
T&S BRASS AND BRONZE WORKS, INC.
 2 Saddleback Cove / P.O. Box 1088
 Travelers Rest, SC 29690

Model No.
B-0230-CR-LN

Item No.

Travelers Rest, SC: 800-476-4103 • Simi Valley, CA: 800-423-0150 • Fax: 864-834-3518 • www.tsbrass.com

ITEM NO.	SALES NO.	DESCRIPTION
1	011279-25	Cerama Cartridge, LTC
2	001660-45	Blue Index-CW
3	011278-25	Cerama Cartridge, RTC
4	001638-45	Lever Handle
5	001661-45	Red Index-HW
6	000922-45	Lever Handle Screw
7	00AA	1/2" NPT Female Eccentric Flange
8	001019-45	Coupling Nut Washer



Product Specifications:

8" Wall Mount Mixing Faucet w/ Cerama Cartridges, Lever Handles & 1/2" NPT Female Inlets (Less Nozzle)

Drawn DHL	Checked DMH	Approved JHB
Scale: NTS		Date: 05/22/13