



**T&S BRASS AND BRONZE WORKS, INC.**

2 Saddleback Cove / P.O. Box 1088  
Travelers Rest, SC 29690

Model No.

**B-2414**

Item No.

Travelers Rest, SC: 800-476-4103 • Simi Valley, CA: 800-423-0150 • Fax: 864-834-3518 • www.tsbrass.com



**ADA Compliant**

This Space for Architect/Engineer Approval

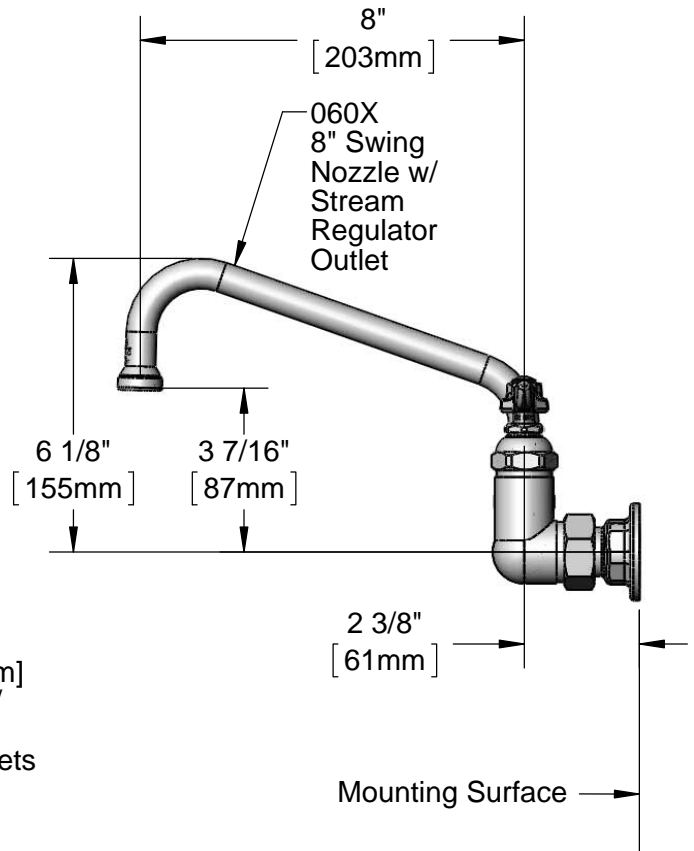
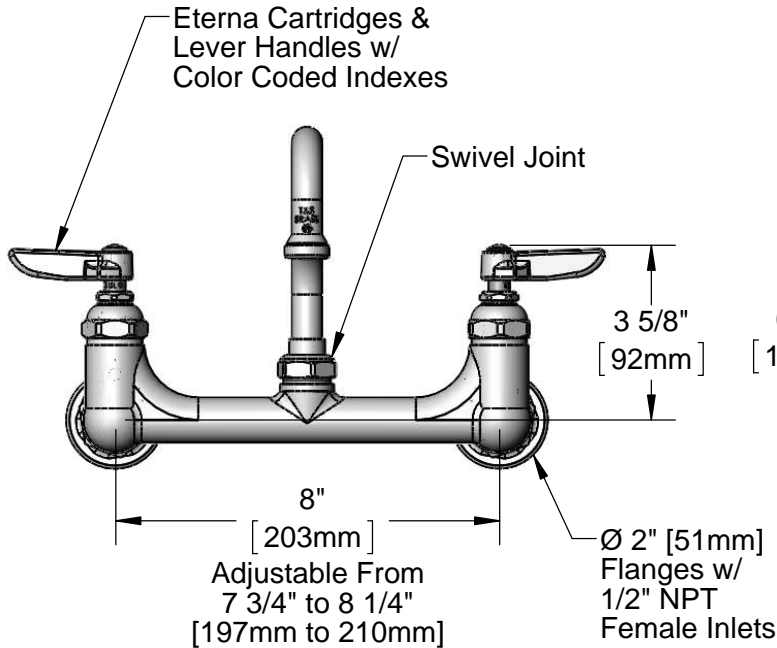
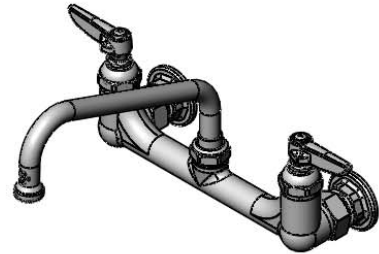
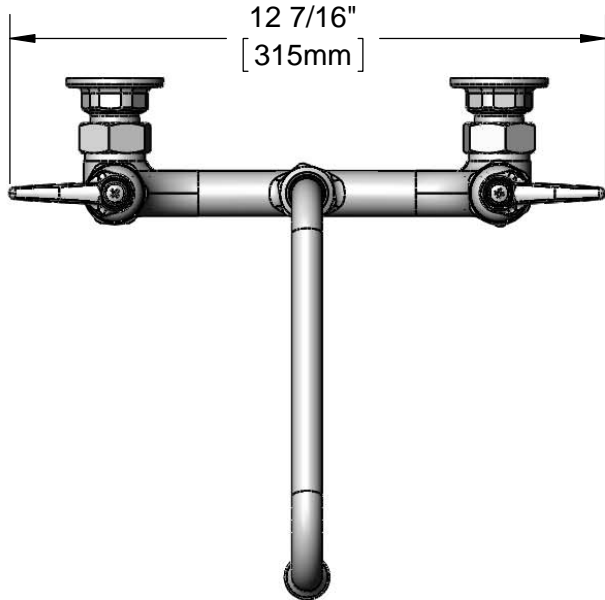
Job Name \_\_\_\_\_ Date \_\_\_\_\_

Model Specified \_\_\_\_\_ Quantity \_\_\_\_\_

Customer/Wholesaler \_\_\_\_\_

Contractor \_\_\_\_\_

Architect/Engineer \_\_\_\_\_



Product Specifications:

8" Wall Mount Mixing Faucet, Eterna Cartridges, 8" Swing Nozzle w/ Stream Regulator Outlet, Lever Handles & 1/2" NPT Female Inlets

Drawn  
**DHL**

Checked  
**DMH**

Approved  
**JHB**

Scale:  
**1:4**

Date:  
**11/02/12**



# T&S BRASS AND BRONZE WORKS, INC.

2 Saddleback Cove / P.O. Box 1088  
Travelers Rest, SC 29690

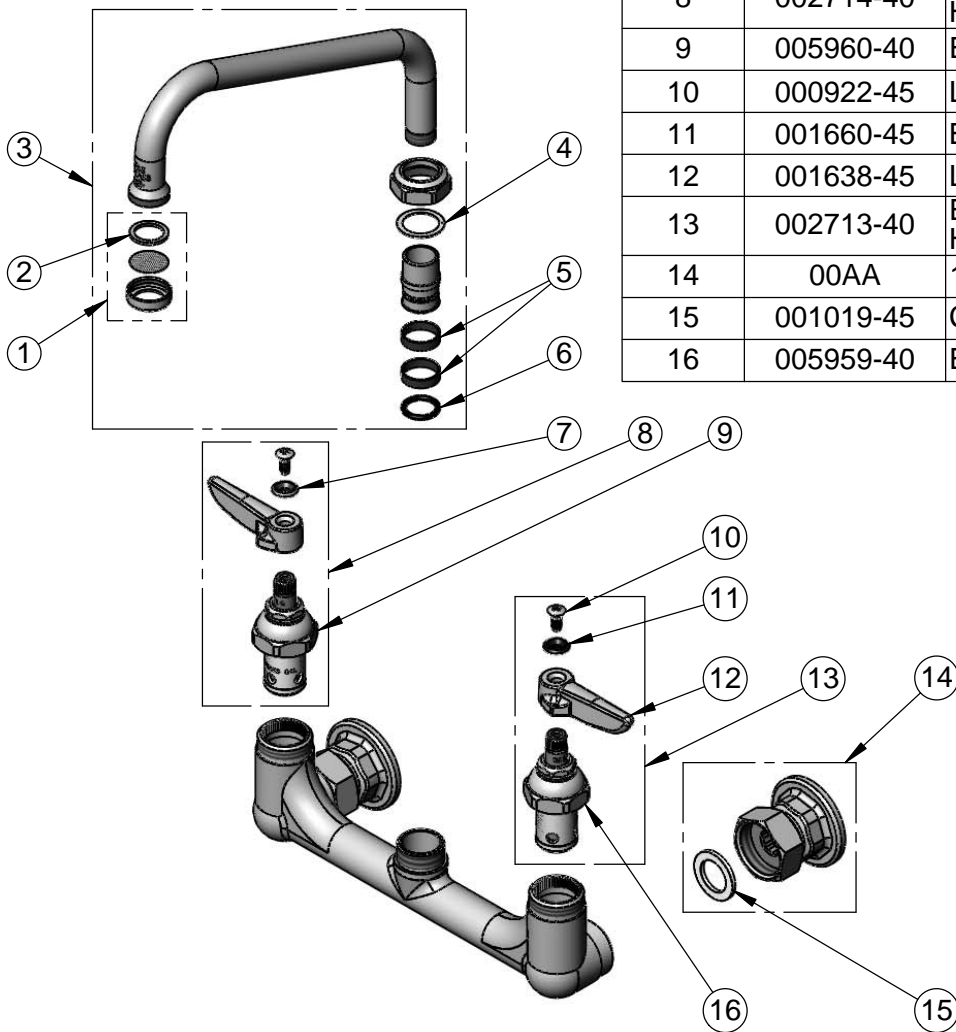
Model No.

**B-2414**

Item No.

Travelers Rest, SC: 800-476-4103 • Simi Valley, CA: 800-423-0150 • Fax: 864-834-3518 • www.tsbrass.com

ITEM NO.	SALES NO.	DESCRIPTION
1	B-PT	Stream Regulator Outlet
2	001048-45	Nozzle Tip Washer
3	060X	8" Swing Nozzle w/ Stream Regulator Outlet
4	009538-45	Swivel Washer
5	011429-45	Swivel Sleeves (2)
6	001074-45	O-Ring
7	001661-45	Red Index-HW
8	002714-40	Eterna Cartridge, RTC w/ Lever Handle , Index & Screw
9	005960-40	Eterna Cartridge - RTC
10	000922-45	Lever Handle Screw
11	001660-45	Blue Index-CW
12	001638-45	Lever Handle
13	002713-40	Eterna Cartridge, LTC w/ Lever Handle , Index & Screw
14	00AA	1/2" NPT Female Eccentric Flange
15	001019-45	Coupling Nut Washer
16	005959-40	Eterna Cartridge - LTC



**Product Specifications:**

8" Wall Mount Mixing Faucet, Eterna Cartridges, 8" Swing Nozzle w/ Stream Regulator Outlet, Lever Handles & 1/2" NPT Female Inlets

Drawn

**DHL**

Checked

**DMH**

Approved

**JHB**

Scale:

**NTS**

Date:

**11/02/12**