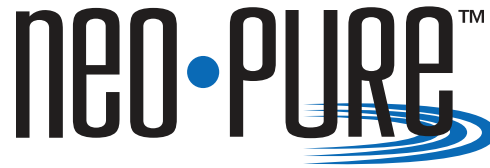


MB Series Multi Bag Filter Housings



Applications

- Chemicals
- Coolants
- Electronics
- Food and Beverage
- Oil/Gas
- Paints/Inks/Coatings
- Paper and Pulp
- Water



Commercial/Industrial Filtration Applications

Standard Features

- Manufactured in the USA
- Designed for high flow commercial or industrial filter applications
- Heavy-duty 304L or 316L stainless steel construction for maximum durability and corrosion resistance
- Optional 134 epoxy coating for seawater or corrosive applications
- Uses #2 Filter Bags (7x32")

2 Round Housings with V-Band Clamp Closure:

- V-band clamp closure for quick and easy bag change-outs and secure sealing
- 3" flanged connections
- 150 PSI pressure rating up to 250 °F

2 Round through 6 Round Housings with Swing Bolt Closure:

- Heavy duty swing bolt closure with davit assembly ideal for larger flow applications
- Davit handle and eye nuts are zinc-plated to prevent gauling
- 150 PSI pressure rating up to 300 °F

Product Specifications

Maximum Operating Pressure

150 psig (10.3 bar) @ 300 °F (149 °C) – Swing bolt closure
150 psig (10.3 bar) @ 250 °F (121 °C) – V-band clamp closure

Connections

Inlet/Outlet:

3" RF flanges (BCMB2 and SBMB2)

4" RF flanges (SBMB3 and SBMB4)

6" RF flanges (SBMB5 and SBMB6)

Optional: RF flanges or sanitary ferrules

Drain Ports: 1/2" FNPT (BCMB2) – 3/4" FNPT (SBMB2-SBMB6)

Vent Ports: 1/2" FNPT – Gauge Ports: 1/4" FNPT

Materials of Construction

Head/Shell/Connections: 304L or 316L stainless steel

Davit Handle and Eye Nuts: Zinc-plated steel

Mounting Legs: 304L stainless steel

Baskets: 1/8" perforated Stainless Steel

Optional: Various perforation and mesh sizes

Gaskets

Standard: Buna N (FDA grade)

Optional: EPR, silicone, Teflon encapsulated silicone, Viton

Finish

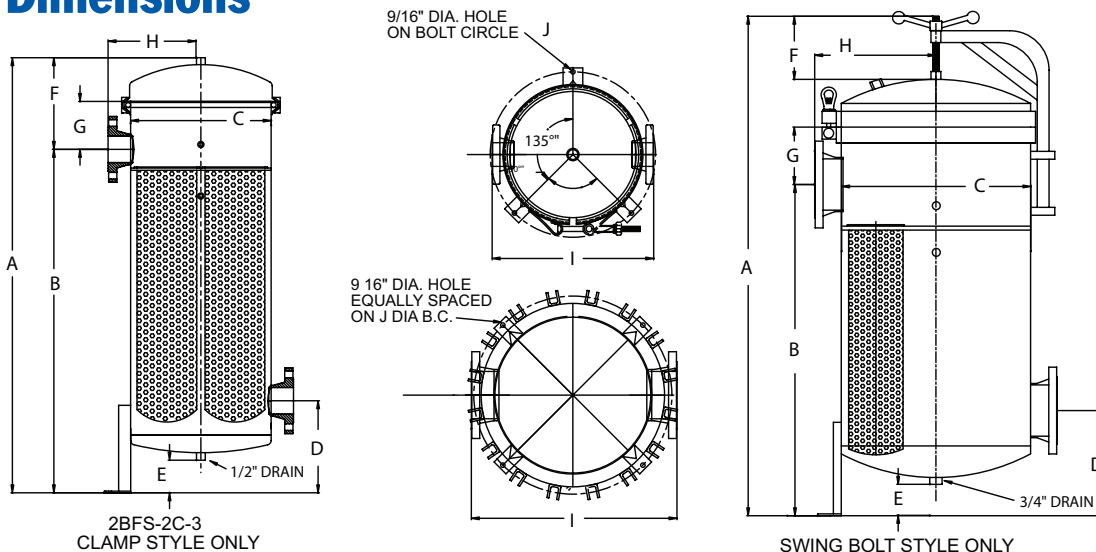
Poly-coat on exterior surfaces

Optional: 134 coating or electropolish

MODEL	CLOSURE	MAX. FLOW* GPM (LPM)	DIMENSIONS (in - cm)									
			A	B	C	D	E	F	G	H	I	J
BCMB2	V-Band Clamp	350 (1325)	49-9/16" (125.9)	39-1/8" (99.4)	16" (40.6)	10-1/2" (26.7)	4-1/8" (10.5)	11-5/8" (29.5)	13-5/8" (34.6)	10-9/16" (26.8)	20-1/2" (52.1)	20-15/16" (53.2)
SBMB2	Swing Bolt	350 (1325)	49-9/16" (125.9)	39-1/8" (99.4)	16" (40.6)	10-1/2" (26.7)	3-11/16" (9.4)	10" (25.4)	6-7/8" (17.5)	10-9/16" (26.8)	20-1/2" (52.1)	20-15/16" (53.2)
SBMB3	Swing Bolt	525 (1987)	52-7/8" (134.3)	41-1/16" (104.3)	20" (50.8)	10-3/4" (27.2)	3-1/4" (8.3)	10" (25.4)	6-1/4" (15.9)	12-5/16" (31.3)	22-5/8" (57.5)	25" (63.5)
SBMB4	Swing Bolt	700 (2650)	61-1/4" (155.6)	40-1/2" (102.9)	20" (50.8)	11-1/4" (28.6)	3-1/4" (8.3)	10" (25.4)	8" (20.3)	12-7/8" (32.7)	26-1/16" (66.2)	25" (63.5)
SBMB5	Swing Bolt	875 (3312)	63-1/2" (161.3)	42" (106.7)	24" (61.0)	13-3/8" (34.0)	4" (10.2)	10" (25.4)	7-1/4" (18.4)	15-3/8" (39.0)	30" (76.2)	29" (73.7)
SBMB6	Swing Bolt	1050 (3975)	63-1/2" (161.3)	42" (106.7)	24" (61.0)	13-3/8" (34.0)	4" (10.2)	10" (25.4)	7-1/4" (18.4)	15-3/8" (39.0)	30" (76.2)	29" (73.7)

* Flow rates are approximate. Actual flow rates are based upon fluid, viscosity, bag type, micron ratings and other factors.

Dimensions



For filter bag options, see
Bag Filter Brochures

Filter Bags
CLICK HERE

**High Density
Filter Bags**
CLICK HERE

Ordering Guide (Example: SBMB3X2-304LEP-4-BHP-E)

SBMB		3 x 2		- 304LEP		- 4		- B		HP		- E	
MODEL	# OF BAGS	BAG SIZE	MATERIAL/ FINISH		INLET/ OUTLET SIZE/TYPE		ORIENTATION		OPTIONS		GASKET		
BCMB = Band Clamp Multi Bag	2	#2	Blank = 304L (standard)		3 = 3" Flange 4 = 4" Flange 6 = 6" Flange		Blank = Side In / Side Out (standard)		Blank = Mounting Legs, Gauge Ports (Standard)		Blank = Buna N (standard)		
SBMB = Swing Bolt Multi Bag	3		316L = 316L				B = Side In / Bottom Out		PG = Pressure Gauges (2)		E = EPR		
	4		304LC = 304L Coated						P = Passivate		S = Silicone		
	5		316LC = 316L Coated						U = ASME Code "U" Stamp		V = Viton		
	6	304LEP = 304L Electropolished						NS = Built to ASME Code/no Stamp		T = Teflon Encapsulated Silicone			
		316LEP = 316L Electropolished						HP = High Pressure (up to 250psi)					



9450 SW Gemini Dr, ECM #83358, Beaverton, OR 97008
Tel 855.896.3525 · Fax 866.409.9622
www.neologicsolutions.com · info@neologicsolutions.com
STUART, FL · BEAVERTON, OR · GREENVILLE, SC · SAN DIEGO, CA

QUESTIONS?

Ask one of our Service Representatives:
Mon-Fri 8a-8p, Sat 8:30a-4:30p EST

We ship six
days a week!

