



T&S BRASS AND BRONZE WORKS, INC.
 2 Saddleback Cove / P.O. Box 1088
 Travelers Rest, SC 29690

Model No.
B-7122-C01

Item No.

Travelers Rest, SC: 800-476-4103 • Simi Valley, CA: 800-423-0150 • Fax: 864-834-3518 • www.tsbrass.com

This Space for Architect/Engineer Approval

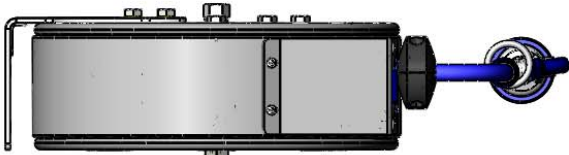
Job Name _____ Date _____

Model Specified _____ Quantity _____

Customer/Wholesaler _____

Contractor _____

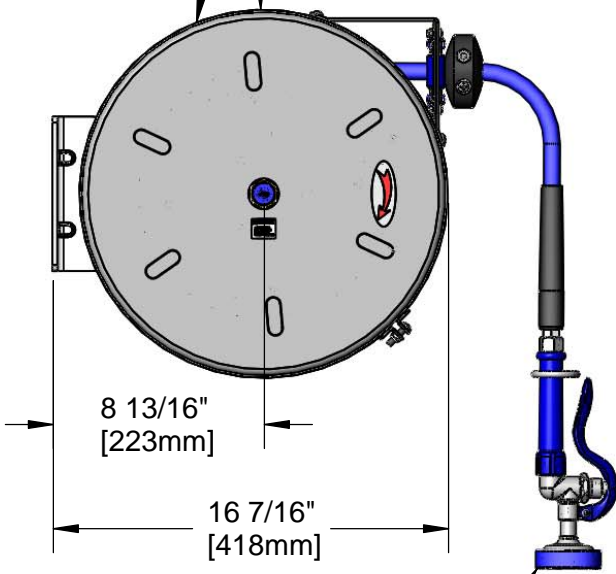
Architect/Engineer _____



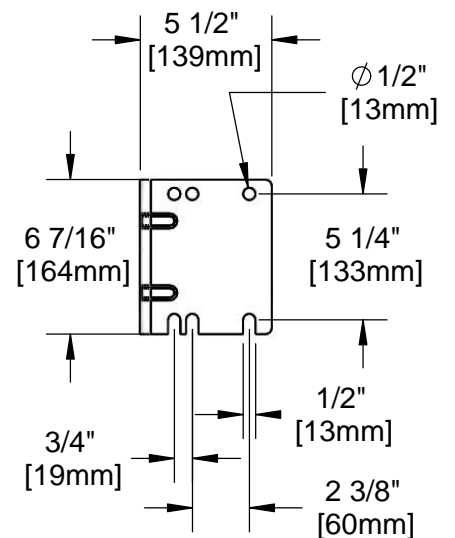
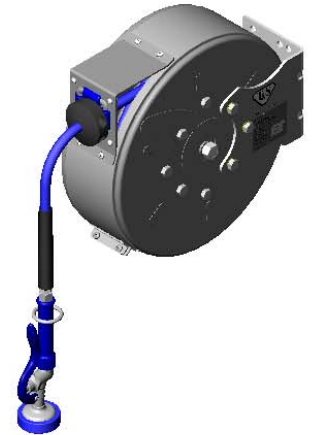
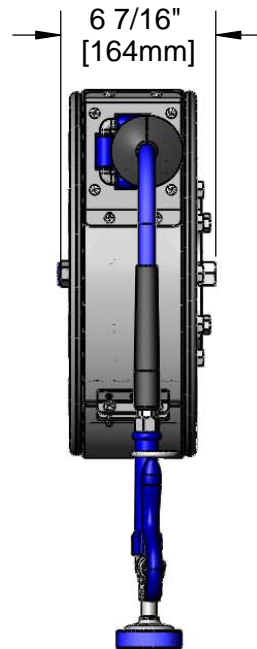
3/8" NPT Female Inlet
 (Left Side of Reel)

Enclosed Stainless
 Steel Hose Reel;
 30 Ft. of 3/8" Hose

Ø 15 3/8"
 [390mm]



EB-0107
 Blue Spray Valve



Product Specifications:

3/8" x 30 Ft. Enclosed Stainless Steel Reel, EB-0107 Blue Spray Valve

| | | |
|----------------------|-----------------------|--------------------------|
| Drawn DHL | Checked DMH | Approved JHB |
| Scale: 1:8 | | Date: 02/11/13 |



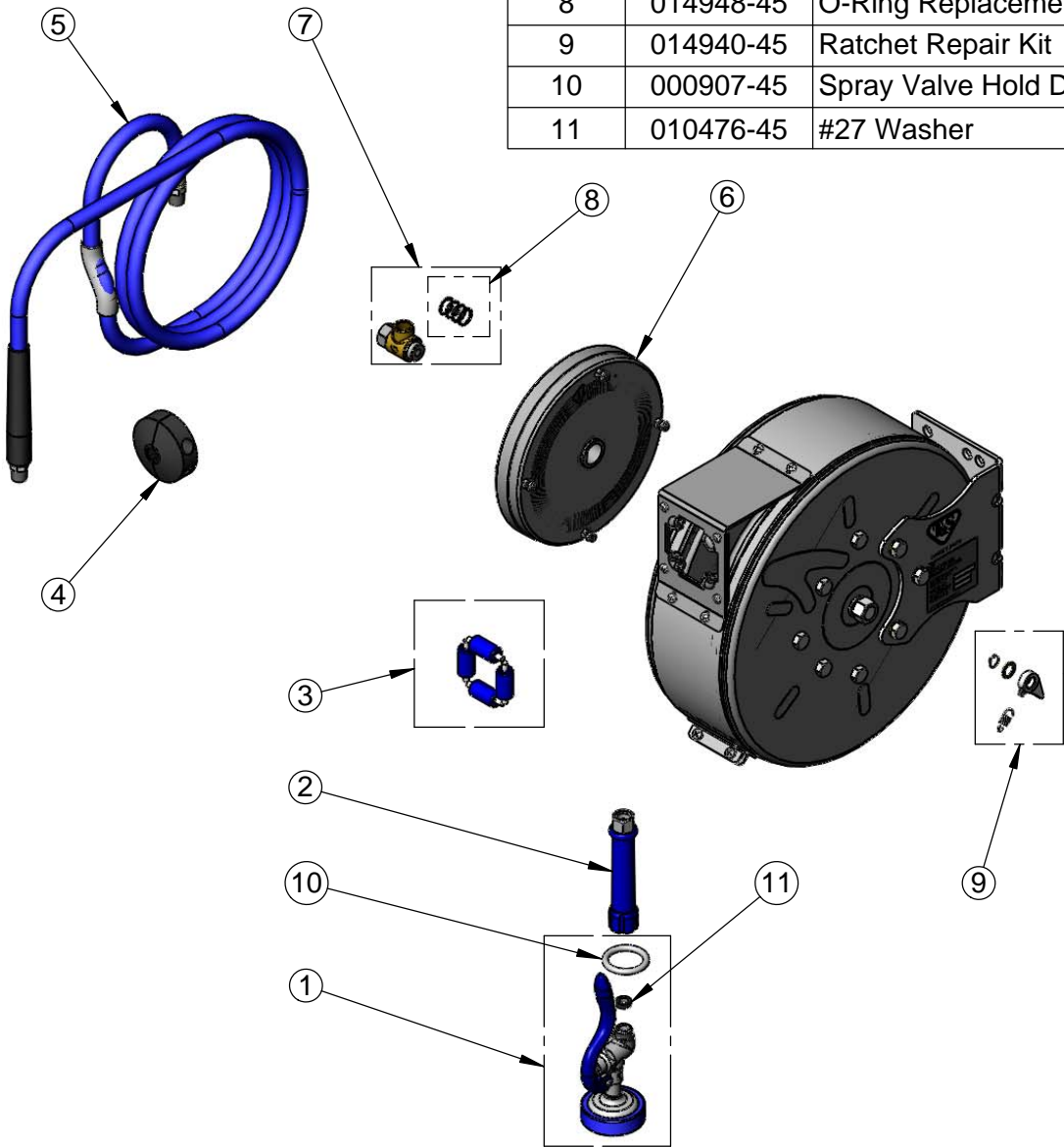
T&S BRASS AND BRONZE WORKS, INC.
 2 Saddleback Cove / P.O. Box 1088
 Travelers Rest, SC 29690

Model No.
B-7122-C01

Item No.

Travelers Rest, SC: 800-476-4103 • Simi Valley, CA: 800-423-0150 • Fax: 864-834-3518 • www.tsbrass.com

| ITEM NO. | SALES NO. | DESCRIPTION |
|----------|-----------|---------------------------------|
| 1 | EB-0107 | Hi-Flow Blue Spray Valve |
| 2 | 012504-40 | Blue Handle Grip |
| 3 | 014936-45 | Roller Assembly Repair Kit |
| 4 | 014949-45 | Hose Stop Repair Kit |
| 5 | 014943-45 | 3/8" x 30' Hose Replacement Kit |
| 6 | 014933-45 | Small SS Spring Assembly |
| 7 | 014946-45 | 3/8" Swivel Repair Kit |
| 8 | 014948-45 | O-Ring Replacement Kit |
| 9 | 014940-45 | Ratchet Repair Kit |
| 10 | 000907-45 | Spray Valve Hold Down Ring |
| 11 | 010476-45 | #27 Washer |



Product Specifications:
 3/8" x 30 Ft. Enclosed Stainless Steel Reel, EB-0107 Blue Spray Valve

| | | |
|---------------------|-----------------------|------------------------|
| Drawn DHL | Checked DMH | Approved JHB |
|---------------------|-----------------------|------------------------|

| | |
|----------------------|--------------------------|
| Scale: NTS | Date: 02/11/13 |
|----------------------|--------------------------|