

AUTOMATIC WATER DISTILLER



USE & CARE GUIDE

To prevent personal injury or property damage, read and follow the instructions and/or warnings in this use and care guide.

TABLE OF CONTENTS

Important Safeguards	3
Specifications	4
Preparing Your Distiller and Reservoir for Use	5-14
Unpacking	5
Initial Cleaning	6
Prepare the Carbon Filter	7
Reservoir Assembly — AR18 - 3.75 gallon	7
Reservoir Assembly — ARS2000 - 7 gallon	8
Reservoir Assembly — ARS3000 - 12 gallon	9-10
Installing Post Carbon Filter Cup	11
Mounting Distiller To Reservoir	11
Installing the Boiling Chamber	12
Water Supply Connection	13
Installing the Prefilter	13
Installing the Saddle Valve Connection	14
Distiller Operation	15
Maintenance and Cleaning	15-17
Boiling Chamber	15
Reservoir	16
Outside Surfaces	16
Pre and Post Carbon Filters	17
Inlet Elbow	17
Troubleshooting Guide	18-20
Warranty and Customer Service	Back Cover

IMPORTANT SAFEGUARDS

For use with distiller Model No. W3000 Series

- Read all instructions before using.
- Use electricity safely and wisely, and observe safety precautions when using your distiller.
- Be sure power and fan switches are OFF before plugging power cord into outlet.
- Make sure gasket, boiling chamber and lid are properly secured before the distiller is plugged in (see instructions). No part of the distiller should be removed during the distillation cycle or until the distiller has completely cooled. Scalding could occur.
- Plug distiller into a household grounded outlet ONLY. The cord has a three prong plug which mates with a standard three prong grounded wall outlet.
If there is any doubt as to whether the outlet is properly grounded, check with a licensed electrician.
- Do not let cord touch hot surfaces or hang over the edge of a countertop, tabletop, or other surface areas.
- Do not use your distiller if it or its cords are damaged or not working properly. Contact your authorized distributor for examination and/or repair.
- The distiller, its cords and plugs should not be used outdoors or immersed in liquids.
- Do not touch distiller when it is hot.
- Distiller should always be unplugged and allowed to cool completely before cleaning.
- This appliance is not intended for and should not be used by children or infirm persons without supervision. Children should be supervised during distiller operation to ensure proper safety.
- Do not distill salt water as this will damage certain distiller components and void the warranty.
- Use your distiller only for the use described in this booklet. Do not use attachments with your distiller unless recommended by your authorized distributor.

SAVE THESE INSTRUCTIONS

Keep your distiller clean and change filter as recommended for ultimate performance. Do not attempt to repair the distiller yourself. If servicing should become necessary, please contact your authorized distributor.

SPECIFICATIONS

The distiller is designed and intended for household use only. This product conforms to WQA S-400 for the stated performance claims.

Model	V=Volts	Hz=Hertz	W=Watts	AMPS	Cycle Time (hours)	Production Rate gpd = gallons per day	Operating Pressure	Operation Temperature
W3400 series W3500 series W3600 series W3700 series	120V	60Hz	1200W	10AMPS	4	9 gpd	20-80 psi40	°F-110 °F (5 °C - 45 °C)
W3400 series W3500 series	240V	50Hz	1500W	10AMPS	4	12 gpd	20-80 psi40	°F-110 °F (5 °C - 45 °C)

ELECTRIC CORD STATEMENT

CAUTION: Your distiller has a short cord as a safety precaution to prevent injury or property damage resulting from pulling, tripping or becoming entangled with the cord. Do not allow children to be near this distiller without close adult supervision. If you must use an extension cord with this distiller, the cord must be arranged so that it will not drape or hang over the edge of a countertop or tabletop where it can be pulled on by children or tripped over. To prevent electric shock, injury or fire, the electrical rating of the extension cord you use must be the same as or more than wattage of the distiller (wattage is indicated on the bottom of the distiller). Plug distiller into rated voltage AC grounded electric outlet ONL Y (rated voltage found on bottom of product). The cord has a three-prong plug which mates with a standard three-prong grounded wall outlet. Do not cut or remove the third prong from the plug. If an adapter is used, be sure adapter wire and wall outlet are grounded. If there is any doubt as to whether the outlet is properly grounded, check with a licensed electrician. Unplug the distiller when not in use.

CAUTION: To prevent personal injury or electric shock, do not immerse the distiller, boiling chamber, its cord or plug in water or any other liquid.

PREPARING YOUR DISTILLER AND RESERVOIR

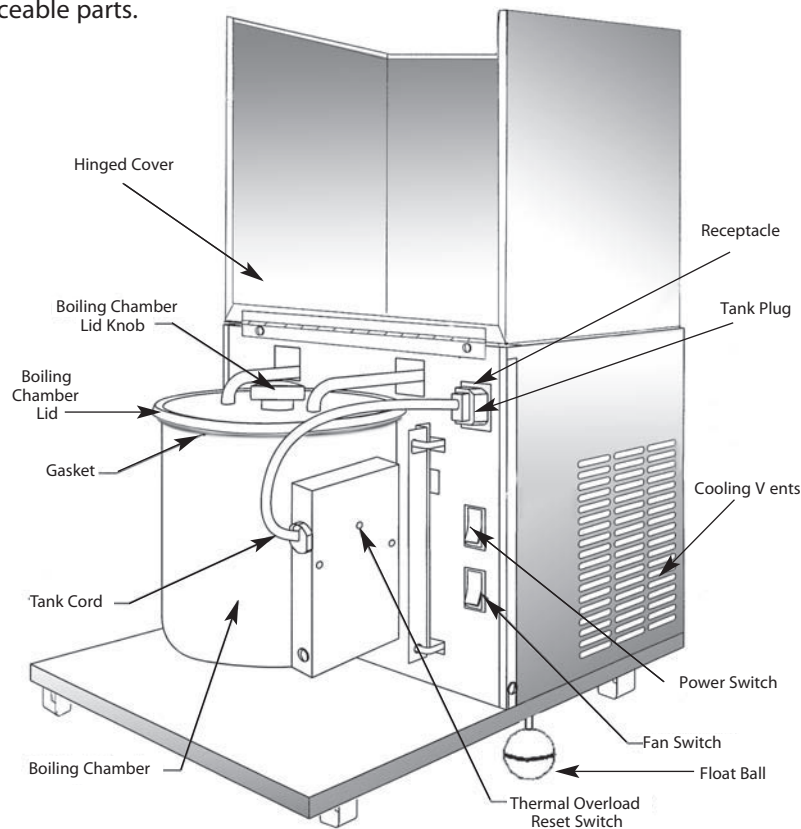
UNPACKING

Your distiller has been securely packed to prevent damage during the shipping process. After removing the distiller and reservoir from the box, open the boiling chamber cover and remove all packing material. Properly dispose of all packing material. Pull down firmly on float ball located underneath the distiller base to fully extend rod from the locked shipping position.

NOTE: Each distiller is individually tested to ensure high quality standards. Water residue (deposits) may be evident in the boiling chamber as a result of this quality control procedure.

Your distiller is constructed of durable stainless steel. Take a few moments now to identify the parts of your distiller, reservoir and accessories.

The rear of the distiller is enclosed for your safety and contains no user serviceable parts.



Your distiller is capable of producing at least 9 gallons of distilled water a day.

PREPARING YOUR DISTILLER AND RESERVOIR

CAUTION: To prevent personal injury or property damage, do not plug distiller into wall outlet until all parts have been cleaned and properly installed.

INITIAL CLEANING

Before using your distiller and reservoir for the first time, follow the steps below.

Boiling Chamber

Do not immerse boiling chamber in water or other liquid for cleaning.

Using a sponge or cloth, clean the interior of the boiling chamber with hot soapy water. Rinse thoroughly with fresh water. Be sure the gasket is properly and securely placed over the top rim of the boiling chamber before using the distiller.

Reservoir

Clean the inside of the reservoir tank with either vinegar or a paste made of baking soda and water to remove any traces of manufacturing oils. Rinse thoroughly with fresh water.

It is recommended you steam clean your distiller and reservoir prior to using it for the first time. Complete this step **AFTER** the unit is completely assembled (see pages 7-14). This is a disinfecting procedure.

Steam Cleaning Instructions

- 1) Remove the post carbon filter.
- 2) Be certain that the FAN switch is in the OFF position, then turn ON the switch for the POWER only. You should hear the water begin to fill the boiling chamber.
- 3) When sufficient water fills the boiling chamber the heating element will turn on automatically. After 15 minutes you should notice steam beginning to appear in the sight gauge.

- 4) Continue steaming the unit for approximately 20 minutes.

CAUTION: External surfaces will be HOT during this process.
DO NOT TOUCH UNIT!

- 5) Turn OFF the POWER switch and allow the unit to cool completely.
- 6) When the unit has cooled completely, put the post carbon filter back in place.
- 7) Check all components, then turn ON both the FAN and POWER switches.

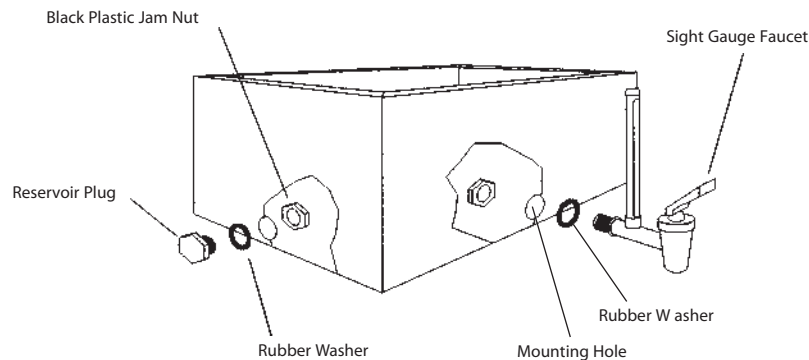
PREPARE THE CARBON FILTER

To prepare the carbon filter, place it in boiling water for five minutes. Drain excess water from filter. (See page 11.) The same cleaning process should be used whenever a new replacement filter is installed. The boiling process will remove any carbon dust that formed as a result of shipping. It will also remove any air bubbles present in the carbon. Failure to complete this step may result in water not flowing through the filter cup.

NOTE: The filter cup should be replaced every two months or whenever an undesirable taste is detected in the distilled water

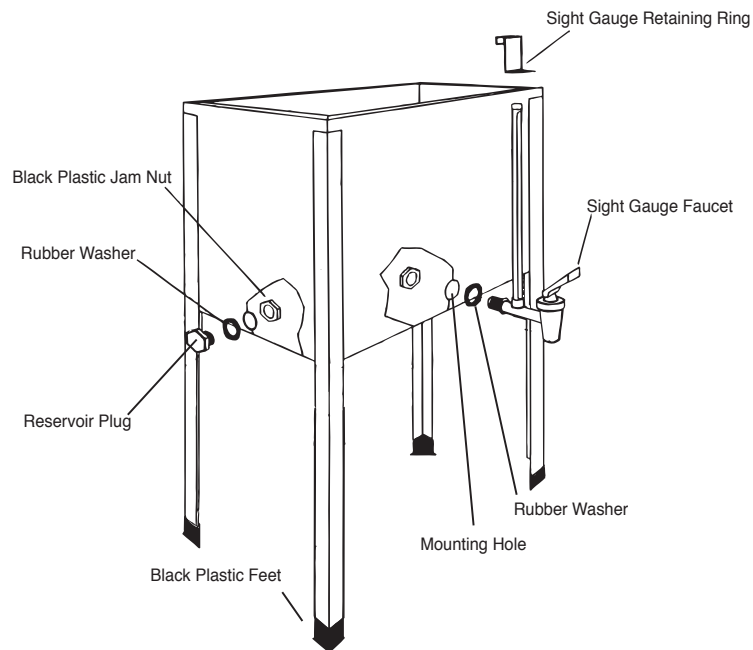
RESERVOIR ASSEMBLY — AR18 - 3.75 gallon (14.2 liter)

- 1) Position reservoir so that it sits open side down. Install black adhesive-backed feet to bottom corners of reservoir. Turn reservoir so that it sits open side up.
- 2) Decide if you wish to mount the sight gauge faucet on either the wide or the narrow face of the reservoir. Install the sight gauge faucet by placing one rubber washer onto the threaded end of the faucet and inserting the faucet through the mounting hole in the reservoir. From inside the reservoir securely tighten in place using the black plastic jam nut. Do not over-tighten jam nuts. Inspect to make sure that the sight gauge is straight.
- 3) Install the reservoir plug by putting a rubber washer over the threaded end of the plug and inserting it into the remaining hole in the reservoir. From inside the reservoir, tighten into place using a black plastic jam nut. Do not over-tighten jam nuts.
- 4) Install the prepared post carbon filter cup by following the instructions on page 11.



- 1) Place the reservoir on the floor, open side down.
- 2) Install a plastic foot on the bottom of each leg. Turn the reservoir over so that it sits open side up.
- 3) Decide if you wish to mount the sight gauge faucet on either the wide or the narrow face of the reservoir. Install the sight gauge faucet by placing one rubber washer onto the threaded end of the faucet and inserting the faucet through the mounting hole in the reservoir. From inside the reservoir securely tighten in place using the black plastic jam nut. Do not over-tighten jam nuts. Avoid squeezing out rubber washer. Inspect to make sure that the sight gauge is straight. Position the sight gauge retaining ring over the sight gauge and hook it over the edge of the reservoir.
- 4) Install the reservoir plug by putting a rubber washer over the threaded end of the plug and inserting it into the remaining hole in the reservoir. From inside the reservoir, tighten into place using a black plastic jam nut.
- 5) Install the prepared post carbon filter cup by following the instructions provided on page 11.

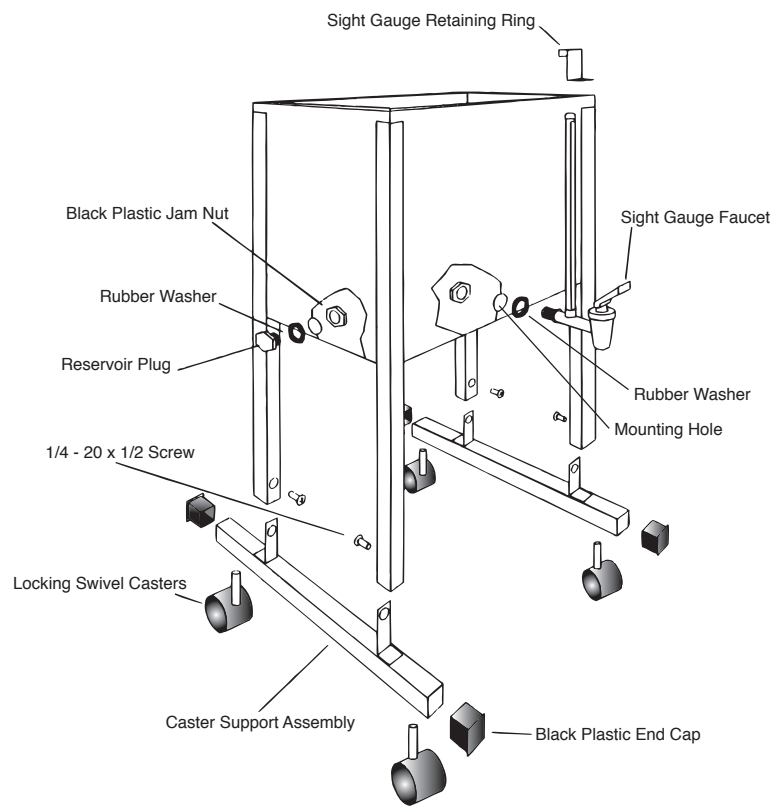
Note: If installing an AP2000 W3000 Series Pump Box, please refer to the Pump Box Use and Care Guide (included with your Pump Box) in order to complete the assembly of the reservoir. The demand Pump Box is an optional addition to your system.



RESERVOIR ASSEMBLY — ARS 3000 - 12 gallon (45.4 liter)

- 1) Place the reservoir on the floor, open side down, so that the legs are standing straight up.
- 2) Install the two caster support assemblies onto the reservoir legs by inserting the raised steel tabs on the caster support assembly into the open end of the legs. Securely fasten the caster support assemblies in place using the four 1/4" – 20 x 1/2" screws.
- 3) Install the four black plastic end caps by inserting an end cap into each open end of the caster support assembly by hand and then tapping into place using a mallet.
- 4) Install the four casters into the holes provided on the caster support assembly. Tighten securely. Turn reservoir over so that it stands open side up.
- 5) Decide if you wish to mount the sight gauge faucet on either the wide or the narrow face of the reservoir. Install the sight gauge faucet by placing one rubber washer onto the threaded end of the faucet and inserting the faucet through the mounting hole in the reservoir. From inside the reservoir securely tighten in place using the black plastic jam nut. Inspect to make sure that the sight gauge is straight. Position the sight gauge retaining ring over the sight gauge and hook it over the edge of the reservoir.
- 6) Install the reservoir plug by putting a rubber washer over the threaded end of the plug and inserting it into the remaining hole in the reservoir. From inside the reservoir, tighten into place using a black plastic jam nut. Do not over-tighten jam nuts. Avoid squeezing out rubber washer.
- 7) Install the prepared post carbon filter cup by following the instructions on page 11.

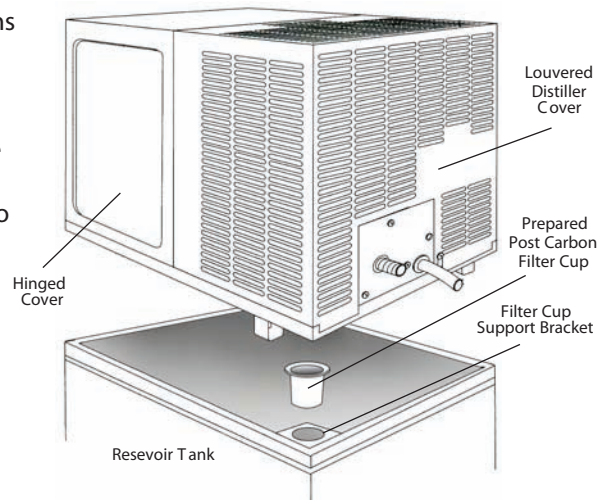
Note: If installing an AP2000 W3000 Series Pump Box, please refer to the Pump Box Use and Care Guide (included with your Pump Box) in order to complete the assembly of the reservoir. The demand Pump Box is an optional addition to your system.



INSTALLING POST CARBON FILTER CUP

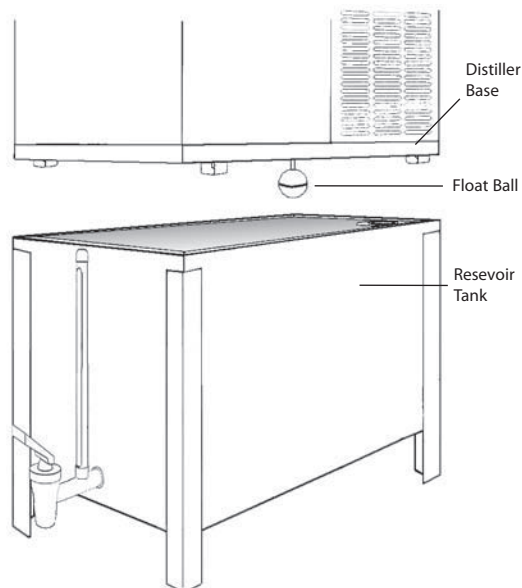
Your distiller uses a granular activated carbon (GAC) filter as a final polishing agent to ensure cleaner, fresh tasting drinking water.

- 1) Place a prepared carbon filter (see page 7) into the supporting basket in the corner of the reservoir.
- 2) Replace the post carbon filter cup every two months or whenever an unusual taste is detected in the distilled water. The same cleaning process should be used whenever a new filter is installed (see page 7). Do not attempt to re use the old filter.



MOUNTING DISTILLER TO RESERVOIR

Simply set the distiller on top of the reservoir tank. Your distiller has been engineered to provide a secure fit. When mounting the distiller to the reservoir tank, make sure that the water outlet tube, located underneath the distiller base, is directly above the post carbon filter cup. This will allow distilled water to flow through the filter cup as it enters the reservoir tank. Do not install distiller closer than four (4) inches (10 cm) to any vertical surface. Maintain a minimum clearance of fourteen (14) inches (36 cm) to the top of the distiller.

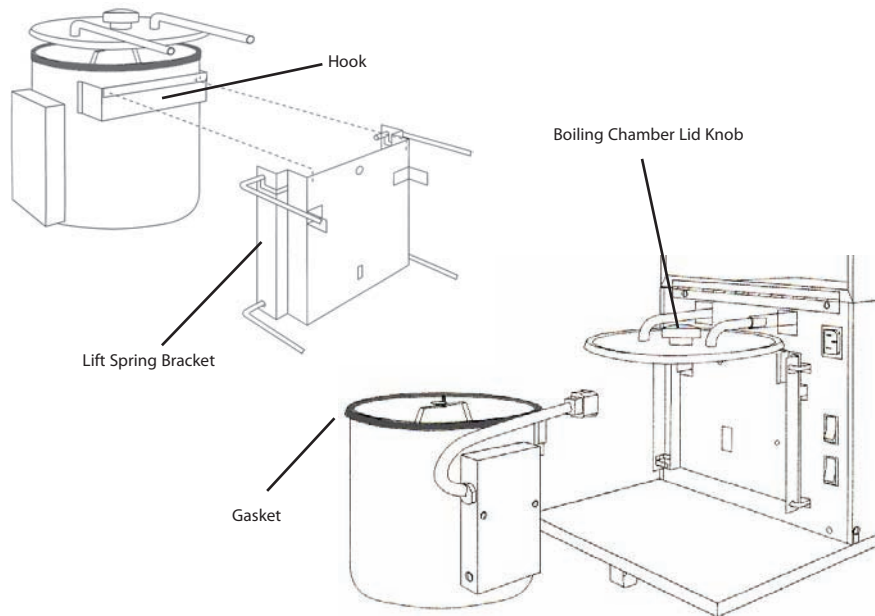


INSTALLING THE BOILING CHAMBER

Your distiller has been shipped with the boiling chamber already in place. If it has been disturbed during shipping follow the simple steps listed below to reinstall the boiling chamber.

CAUTION: To avoid personal injury or property damage, be certain distiller is unplugged.

- 1) Place the hook of the boiling chamber over the lift spring bracket located in the front half of the distiller.
- 2) Be sure the gasket is securely in place over the top rim of the boiling chamber.
- 3) Fit the lid with the attached tubes over the gasket and onto the boiling chamber making sure that the threaded center support protrudes through the hole in the lid. Ensure that the tubes are centered in the distiller openings.
- 4) Secure the lid by turning the cover knob clockwise.
- 5) Make sure that the boiling chamber moves freely up and down by pressing down on the top of the boiling chamber. The boiling chamber should lift when it is released. If the boiling chamber does not move freely, recheck all connections.
- 6) Fully insert the boiling chamber power cord into the receptacle. A loose connection may damage the power cord and result in failure of the distiller. Be sure the plug is fully inserted into the socket.



WATER SUPPLY CONNECTION

The following instructions are for installation on copper tubing. If you have iron, steel, brass, PVC or other pipe providing the cold water supply in your home, consult a qualified professional for installation.

All state, provincial and local laws and regulations must be followed in the installation and use of your distiller.

It is advisable to first connect the prefilter to the distiller, then finish the connection to the saddle valve (see page 14).

Your distiller should be installed on a level surface in a well ventilated area near a water supply line and a standard household grounded electrical outlet.

Do not connect to a water supply that is under 20 lb (138kPa) or over 120 lb. (828kPa) pressure and under 36°F (2°C) or over 100°F (38°C).

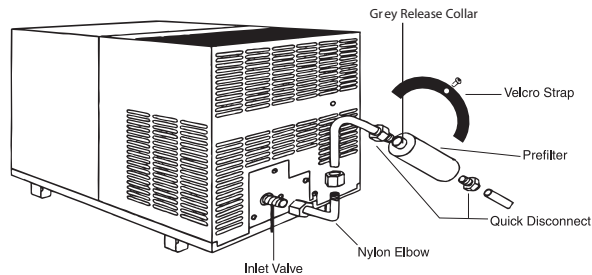
You will need an adjustable wrench and a flathead screwdriver to hook up the distiller to the water supply.

Do not install distiller closer than four (4) inches (10cm) to nearest vertical surface. Maintain a minimum clearance of fourteen (14) inches (36cm) to the top of the distiller.

INSTALLING THE PREFILTER

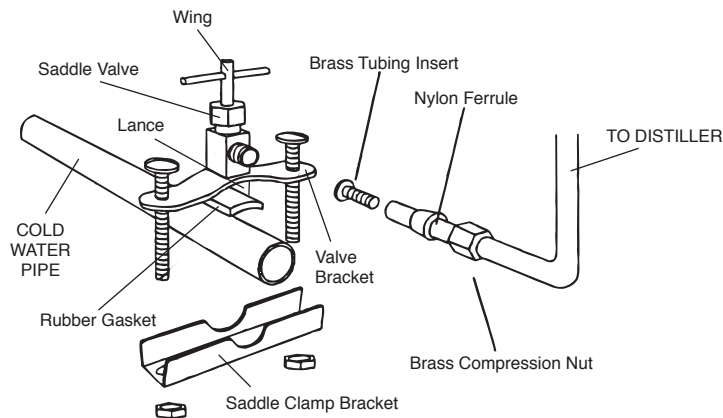
A length of food-grade tubing and the required fittings have been packed with your distiller.

- 1) Cut a short piece approximately 12 inches (30.5cm) long from the supplied roll of tubing. Insert one end of the piece into the smaller hole in the nylon elbow and tighten.
- 2) Take the other end of the elbow and turning clockwise, attach to the inlet valve at the rear of the distiller.
- 3) Insert the other end of tubing as far as possible into the quick disconnect at the outlet end of the prefilter. Make sure that the arrow on the prefilter is pointing in the direction of the water flow. It should not be possible to remove the tubing unless the grey release collar is pushed into the quick disconnect.
- 4) Attach the remaining piece of plastic tubing to the quick disconnect at the inlet end of the prefilter.
- 5) Screw the velcro strap onto the distiller and attach the prefilter using the velcro.



INSTALLING SADDLE VALVE CONNECTION

- 1) Locate the other end of the long tube and slip on the brass compression nut, threaded toward the cut end of the tube.
- 2) Slip on the nylon ferrule, narrow end toward the cut end of the tube. The nylon ferrule should be about 1/4 inch down the tube. Discard the brass ferrule which is not needed for use with plastic tubing.
- 3) The tubing provided is thick-walled and food-grade quality and will provide you with trouble-free service for many years. We recommend inserting the brass tube insert into the tube to prevent possible collapse of the tube.
- 4) Locate the cold water supply line near the place you are installing your distiller. Note: Be sure the length of food-grade tubing will reach from your supply line to the distiller location before proceeding. If additional tubing is needed, contact your authorized distributor.
- 5) Turn the wing on the saddle valve counter-clockwise to insure the lance is fully retracted.
- 6) Position the saddle valve assembly to straddle the copper pipe of the supply line. Tighten securely, making sure the rubber gasket is in place and slightly compressed to form a good seal between the valve bracket and the copper pipe.
- 7) Insert the cut end of the food-grade plastic tube into the saddle valve opening and securely tighten the compression nut, turning clockwise.
Note: If you have used the brass tubing reinforcer, be certain it is secured in the tube and does not slip into saddle valve assembly.
- 8) When all connections are secure, turn the wing on the saddle valve clockwise as far as it will go. The saddle valve is now in the closed position. To begin the flow of water to the distiller, turn the wing counter clockwise. Note: In areas where saddle valves are not permitted by law, your distributor can provide the appropriate installation fitting.



DISTILLER OPERATION

Your distiller is easy to use. The water level in the boiling chamber is controlled automatically. When connected to the cold water supply line the water will automatically feed into the boiling chamber and shut off when the proper water level is achieved. The condensing fan and the heating element of the boiling chamber are also controlled automatically, resulting in worry-free operation.

When the reservoir tank reaches its full level a float switch will shut off the unit. When water is drawn from the reservoir the unit will restart automatically, assuring you of a continuous supply of fresh distilled water.

MAINTENANCE

CAUTION: To prevent personal injury or property damage, always unplug distiller from the wall outlet before beginning any maintenance procedures.

Your distiller has been designed to require minimal maintenance. The exterior of the distiller and reservoir tank may be wiped with a soft cloth or sponge dampened with warm soapy water. A commercial glass or stainless steel cleaner may be used to maintain the luster of the exterior. Care should be taken so no cleaners used on the exterior can find their way into the reservoir tank.

Follow these easy steps to clean your distiller.

BOILING CHAMBER

Periodic cleaning of the boiling chamber is essential to the efficient operation of your distiller. Because local water quality varies from place to place, your cleaning schedule may vary from once or twice per month to once every three months. It is suggested that you check the boiling chamber after the first week of use and once per week thereafter, until you determine the cleaning schedule that is right for you. The boiling chamber should be cleaned when you see accumulated mineral deposits and debris collect in the chamber — visible proof that your distiller is removing unwanted water contaminants.

Connecting your distiller to a softened water supply can greatly reduce the need for boiler cleaning.

- 1) Turn both the POWER and FAN switches to the OFF position, then unplug the distiller cord from the wall outlet. Allow the unit to cool completely before handling (approximately three hours).
- 2) When the unit is cool, unplug the boiling chamber power cord from the receptacle, remove the lid cover knob and detach the lid from the boiling chamber. Lift the boiling chamber off of the bracket.

CAUTION: To prevent personal injury or property damage, only unplug boiling chamber power cord after POWER and FAN switches are turned OFF, distiller is unplugged from the wall outlet and the unit has completely cooled.

- 3) Remove the rubber gasket from the boiling chamber. Clean the gasket with a mild detergent, rinse and dry thoroughly.
- 4) Dispose of the water and residue from the boiling chamber and wipe with a cloth and clean water. To avoid risk of electrical shock, do not immerse the boiling chamber in water or any other liquid for cleaning.
- 5) Clean the boiling chamber by combining two cups of white vinegar and enough warm water to fill the boiling chamber. Allow this solution to sit in the boiling chamber for at least six hours, or preferably overnight. Commercial descalers or kettle cleaners may be used in place of the vinegar following the manufacturer's instructions.
- 6) Dispose of the cleaning solution and rinse the boiling chamber thoroughly with clean water. DO NOT IMMERSE. If stubborn scale deposits remain they may be removed with a nylon scouring pad. Then wipe the boiling chamber thoroughly with a cloth and clean water. Do not tap on the heater to remove deposits. Tapping on the heater may damage it.
- 7) Replace the gasket on the boiling chamber and reassemble to the distiller unit (see page 12), tightening the lid with the lid cover knob. Plug the boiling chamber power cord into the receptacle and then plug the distiller back into the wall outlet. Your distiller is now ready to continue providing you with fresh distilled water.

RESERVOIR

It is recommended that you steam clean your distiller and reservoir once every 6 months (see page 6 for instructions). If your distiller has a demand pump, turn the POWER OFF and unplug the pump.

OUTSIDE SURFACES

Your distiller has been designed to require minimal maintenance. The exterior of the distiller and reservoir tank may be wiped with a soft cloth or sponge dampened with warm soapy water. A commercial glass or stainless steel cleaner may be used to maintain the luster of the exterior. Do not use abrasive or solvent based cleaners. DO NOT SPRAY CLEANING PRODUCTS DIRECTLY INTO THE DISTILLER OR RESERVOIR.

The distiller's cooling system vents (see page 5) should be vacuumed occasionally or cleaned with a soft brush to remove dust and debris. The distiller must be shut OFF and UNPLUGGED during this procedure.

Do not attempt to clean the condensing coil, contact your authorized distributor for assistance.

Carbon Filters

- 1) Approximately every two months discard the used post carbon filter cup and replace it with a new one. (See procedure on pages 7 and 11). Do not attempt to reuse the old filter cup. Note: The effective life of the post carbon filter will vary depending on the amount of distilled water your family uses. If you notice a change in the taste of the distilled water, clean the reservoir and replace the post carbon filter cup.
- 2) The carbon prefilter attached to the distiller should be replaced approximately every six months. To change the prefilter, turn OFF FAN and POWER switches and disconnect power cord from outlet. Turn off the water supply at saddle valve and disengage tubing from the quick disconnects by pressing in and holding grey quick connect fitting while pulling out plastic tube.
- 3) Remove the quick connect fittings from the old filter; apply new teflon tape onto the threads of each fitting to ensure a proper seal.
- 4) Complete installation of the prefilter (see page 13, steps 3-5).

This distiller meets the listing requirements of U.L. Inc. but they have not investigated the physiological effect of the use of the carbon filter, beneficial or otherwise.

Inlet Valve and Nylon Elbow

There is no need to disassemble the nylon inlet elbow to change the prefilter. When changing the prefilter it is recommended to wipe off the inlet valve (see page 13) with a damp cloth. Rinse the nylon elbow with clean water to remove any sediment or debris. Connect the nylon elbow to the inlet valve and reassemble the prefilter connections (see page 13) and reconnect to the distiller. Turn ON water supply and re-check connections. Plug in unit and turn ON FAN and POWER switches.

TROUBLESHOOTING GUIDE

PROBLEM	POSSIBLE CAUSE	SOLUTION
Distiller will not operate.	<p>POWER switch is not in the ON position.</p> <p>Boiling chamber not mounted on lift spring bracket.</p> <p>Storage reservoir is full.</p> <p>Float in reservoir is in the UP position.</p>	<p>Make sure that the POWER switch is in the ON position and that the unit is plugged into the wall outlet. Page 5</p> <p>Remount boiling chamber. Page 12</p> <p>Distiller will operate once a change in water level is detected. Page 15</p> <p>Draw sufficient water out of the reservoir to activate the float switch.</p> <p>Make sure that the float rod is not lodged in its recessed shipping position. Page 5</p>
Boiler tank does not fill with water.	<p>POWER switch is not in the ON position.</p> <p>Water connection is not open.</p> <p>Inlet water valve is plugged.</p>	<p>Make sure that the POWER switch is in the ON position and that unit is plugged into the wall. Page 5</p> <p>Open water connection. Page 14, step 8</p> <p>Clean inlet valve and elbow. Page 17</p>
Fan does not operate.	<p>FAN switch is not in the ON position.</p> <p>Boiling chamber is not mounted on lift spring bracket.</p>	<p>Make sure that the FAN switch is in the ON position.</p> <p>Remount boiling chamber. Page 12</p>

TROUBLESHOOTING GUIDE

PROBLEM	POSSIBLE CAUSE	SOLUTION
<p>Heating element does not work.</p>	<p>Unit not plugged into wall outlet.</p> <p>Boiling chamber power cord not plugged in.</p> <p>Thermal overload switch needs resetting.</p>	<p>Make sure that the unit is plugged into the wall outlet.</p> <p>Ensure that boiling chamber power cord is plugged into receptacle, then push the thermal overload reset switch on the side of the boiling chamber .</p> <p>Press thermal overload switch reset button on side of boiling chamber . Page 5</p>
<p>Water does not boil.</p>	<p>Unit is not plugged into wall outlet.</p> <p>Boiling chamber is not mounted on lift spring bracket.</p> <p>Inadequate cleaning of boiling chamber.</p> <p>Heating element is defective.</p>	<p>Make sure that the unit is plugged into the wall outlet.</p> <p>Remount Boiling Chamber . Page 12</p> <p>Clean boiling chamber. Page 15-16</p> <p>Contact authorized distributor for service.</p>
<p>Water leak in boiling chamber area.</p>	<p>Boiling chamber lid is not properly aligned or tightened on boiler.</p> <p>O-ring in lid knob is missing or defective.</p> <p>O-ring around heating element is defective.</p> <p>Boiler tank gasket is not in place, defective or not properly fitted on boiling chamber.</p>	<p>Re-align and/or tighten boiling chamber lid.</p> <p>Contact authorized distributor for replacement parts.</p> <p>Realign boiling chamber gasket.</p> <p>Contact authorized distributor for replacement parts.</p>

TROUBLESHOOTING GUIDE

PROBLEM	POSSIBLE CAUSE	SOLUTION
Distilled water has an unusual taste.	The carbon filter is contaminated. The reservoir needs cleaning. Boiling chamber needs cleaning.	Replace the pre and post carbon filters. Page 17 Clean the reservoir following the instructions on page 16. Clean boiling chamber . Page 15-16

Thank You

Congratulations on your decision to purchase
an automatic water distiller.

You have made an intelligent choice to provide
the best for you and your family.

Your distiller will provide cleaner, good tasting water for drinking
and for making juices, coffee and tea. You can be confident
of the quality of the water you use for cooking, watering plants,
and for appliances requiring distilled water.

Your automatic distiller will provide you with peace of mind
knowing you have a durable appliance capable of
reducing many impurities which can be found in tap water.

With minimum maintenance your distiller will provide
convenient continuous operation.

Contact your authorized distributor for all warranty, parts and service needs.
For additional information, call Consumer Service at 262-626-8623.

REGAL WARE, INC.
1675 Reigle Drive
Kewaskum, WI 53040