



41180 Raintree Court
 Murrieta, CA 92562
 1-888-304-0660
 www.waterstoneco.com

ITEM NO: **5600**

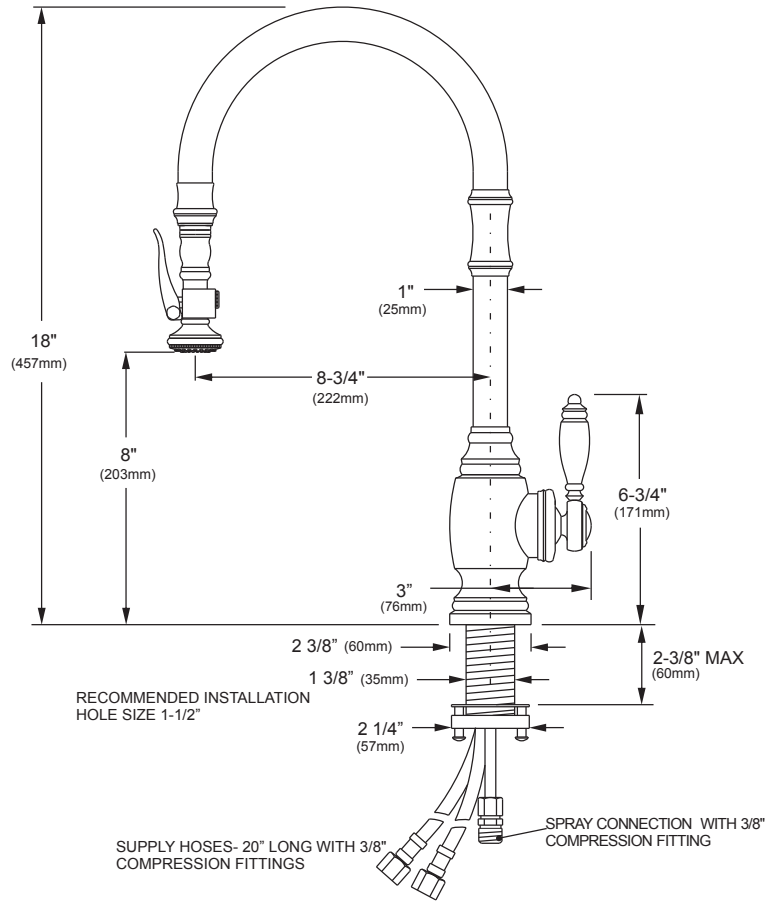
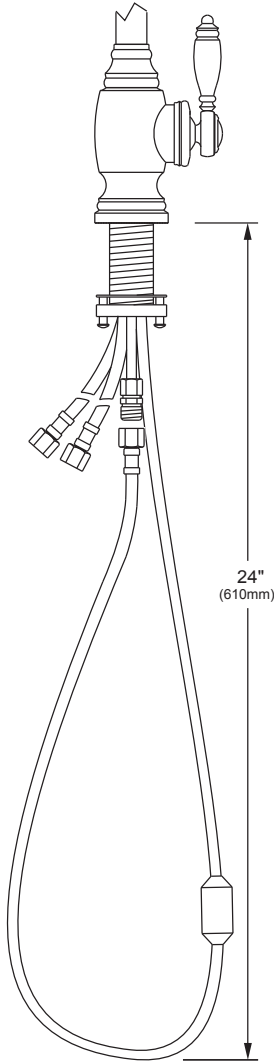
STYLE: **PULLDOWN**

INTENDED USE:
 KITCHEN FAUCET / PULLDOWN

CUSTOMER NAME:

JOB NO:

DIMENSIONS MAY VARY AND ARE SUBJECT TO CHANGE. NO RESPONSIBILITY IS ASSUMED FOR USE OF SUPERCEDED OR VOIDED DATA



Technical Specifications

- Compatible with Reverse Osmosis filtration systems.
- Unique "PLP" positive lock holds spray head in place.
- Pre-positioned "Easy Pull" counterbalanced weight.
- Spray head extends 18 inches.
- Toggle select spray or aerated stream.
- 1.7 gallon/min flow by AERATED stream selected.
- Spray head made of Brass or Stainless Steel construction.
- Spray head control hot/cold ceramic disk valve cartridge.
- Reverse osmosis removable Hot & Cold inlets.
- Handle adjusts 45 degrees in either direction to prevent splash.
- Braided connection hoses.
- Adjustable PTFE "Friction Lock" aids handle feel and prevents sag.
- 360 degree swivel spout.

Available From:
freshwatersystems.com
 serving you since 1989

[CLICK HERE](#)

Codes/Standards Applicable

Specified model meets or exceeds the following:

- ASME A112.18.1
- CSA B125.1
- NSF 61
- CALGreen
- AB 1953

DATE: 11-28-11



MADE IN THE USA