



T&S BRASS AND BRONZE WORKS, INC.
 2 Saddleback Cove / P.O. Box 1088
 Travelers Rest, SC 29690

Model No.
B-2850

Item No.

Travelers Rest, SC: 800-476-4103 • Simi Valley, CA: 800-423-0150 • Fax: 864-834-3518 • www.tsbrass.com

This Space for Architect/Engineer Approval

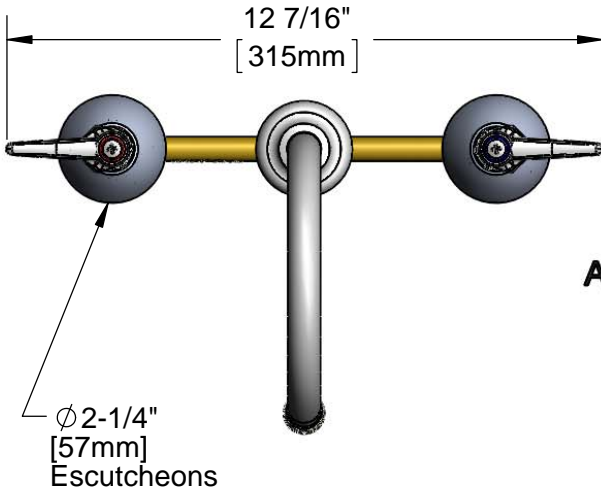
Job Name _____ Date _____

Model Specified _____ Quantity _____

Customer/Wholesaler _____

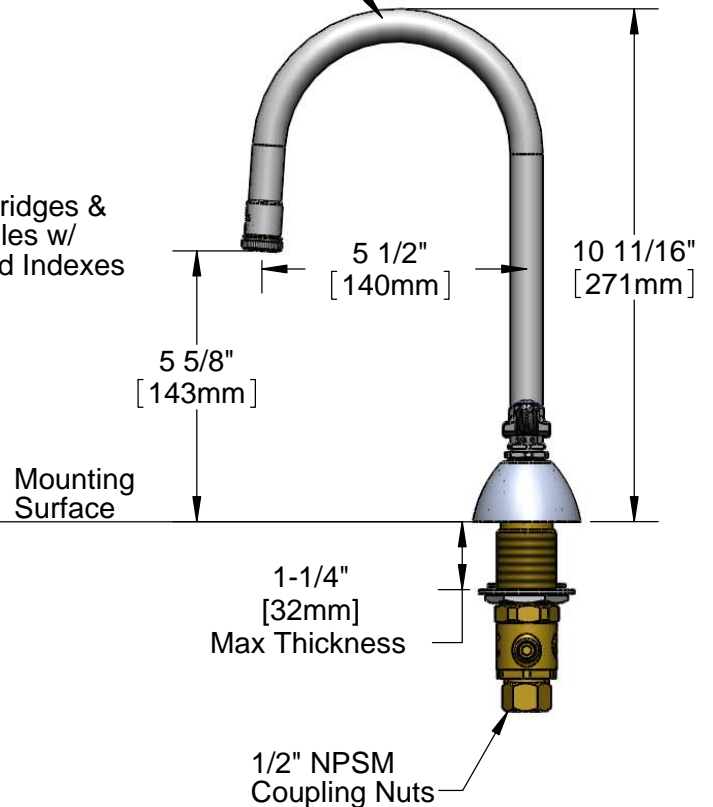
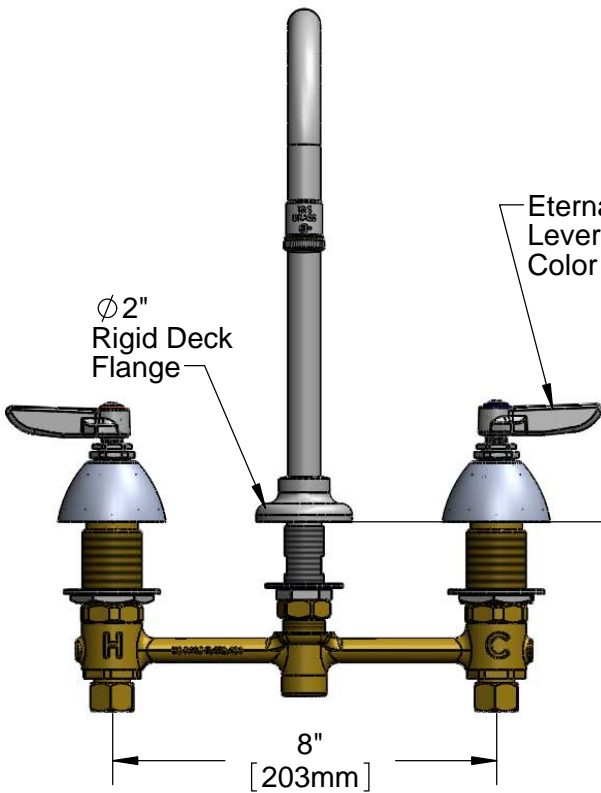
Contractor _____

Architect/Engineer _____



ADA Compliant

120X Rigid Gooseneck
 w/ B-LT Stream Regulator
 Outlet



Rough-In Requirement:
 ϕ 1" [25mm] for Center Shank
 ϕ 1-1/2" [38mm] for Hot/Cold Side

Product Specifications:
 EasyInstall Faucet w/ Lever Handles, Eterna Cartridges,
 8" Inlet Centers, Gooseneck w/ Stream Regulator Outlet

Drawn JRM	Checked DMH	Approved JHB
Scale: 1:4		Date: 06/21/112



T&S BRASS AND BRONZE WORKS, INC.

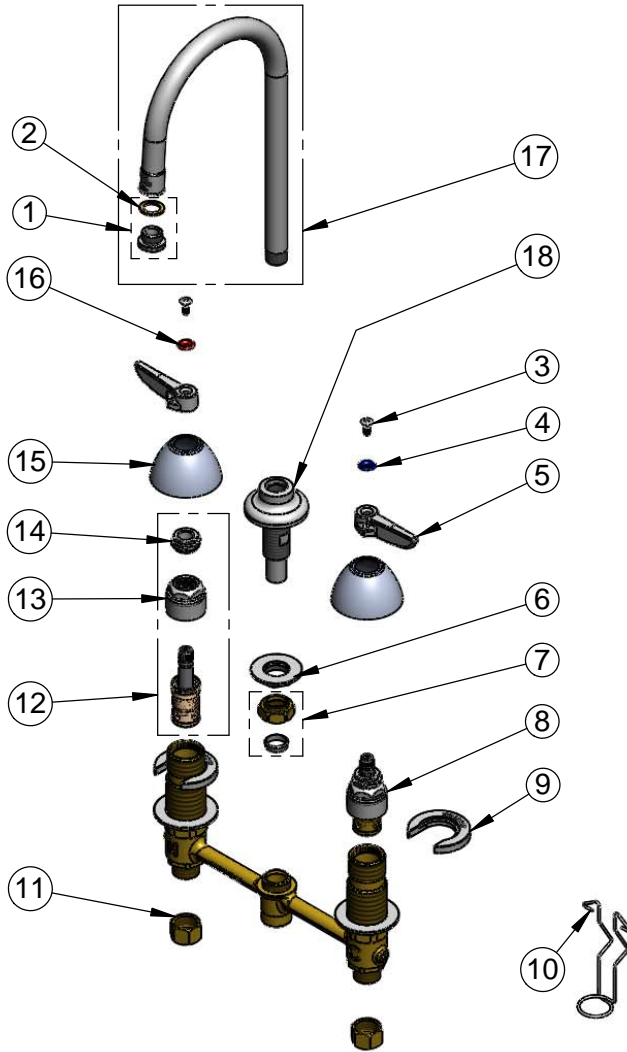
2 Saddleback Cove / P.O. Box 1088
Travelers Rest, SC 29690

Model No.

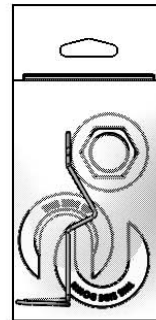
B-2850

Item No.

Travelers Rest, SC: 800-476-4103 • Simi Valley, CA: 800-423-0150 • Fax: 864-834-3518 • www.tsbrass.com



ITEM NO.	SALES NO.	DESCRIPTION
1	B-LT	Stream Regulator Outlet
2	001043-45	Washer
3	000922-45	Lever Handle Screw
4	001660-45	Blue Index-CW
5	001638-45	Lever Handle
6	016742-45	Center Flange Nut
7	016745-45	Compression Nut & Fitting
8	016752-40	EasyInstall CWS LTC Eterna (Teflon)
9	016749-45	Sidebody C-Washer
10	016777-45	CWS Hanger
11	000958-20	Coupling Nut
12	016753-40	EasyInstall CWS RTC Eterna (Teflon)
13	016743-25	CWS Bonnet Assembly
14	009002-25	Packing Nut Assembly
15	001257-40	Bell Escutcheon
16	001661-45	Red Index-HW
17	120X	Rigid Gooseneck w/ Stream Regulator Outlet
18	016847-40	EasyInstall CWS Rigid Center Shank



017245-40
Installation Repair Kit
Includes #6, (2)#9, & #10

Product Specifications:
EasyInstall Faucet w/ Lever Handles, Eterna Cartridges,
8" Inlet Centers, Gooseneck w/ Stream Regulator Outlet

Drawn JRM	Checked DMH	Approved JHB
Scale: NTS		Date: 06/21/112