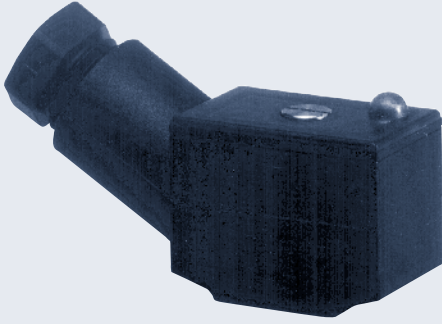


## Cable Plug to DIN 43650, Form C

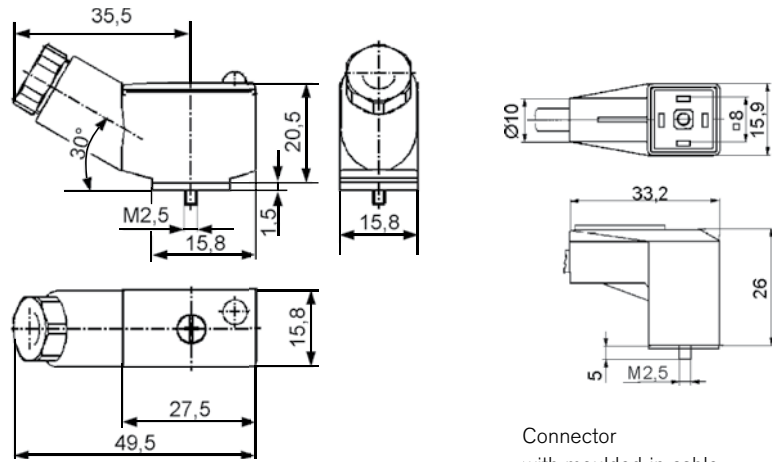


- Installation width 16 mm
- Protection class IP 65
- Numerous variations
- Also available with moulded-on cable connection
- Contact form 8 mm

Plug for the connection of electrical components according to DIN 43650, Form C.

Technical data	
<b>Body material</b>	Polyamide
<b>Contact material</b>	Brass, electro-silver-plated
<b>Max. continuous temperature</b> without cable with cable	194°F (+90°C) 176°F (+80°C)
<b>Cable diameter</b>	5 - 6 mm
<b>Cable outlet</b> without cable with cable	Oriented 30° to the plug face Straight
<b>Functional display</b>	LED, color yellow
<b>Nominal voltage</b>	0 to 250 V
<b>Maximum current rating</b>	With diode, 1 A Without circuitry, 3 A
<b>Contact resistance</b>	5 mΩ
<b>Electrical connection</b>	Terminal screws max. 0.75 mm <sup>2</sup>
<b>Protection class</b>	IP 65
<b>Insulation group</b>	C
<b>Number of terminals</b>	2 pins + protective earth

Dimensions [mm]



Connector without cable with outlet downwards

Connector with moulded-in cable

Ordering chart

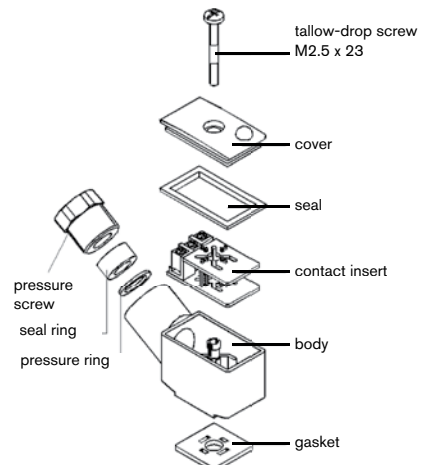
The delivery of a cable plug includes the flat seal and fixing screw.

Voltage	Current rating	Item no. without cable	Item no. with 2m cable
<b>Without circuitry</b>			
0 to 250 V/AC/DC	max. 3 A	008 353	423 862
<b>With LED</b>			
12 to 24 V/AC/DC	max. 3 A	008 402	423 863
100 to 120 V/AC/DC	max. 3 A	008 403	-
200 to 240 V/AC/DC	max. 3 A	008 404	-
<b>With rectifier, varistor and LED</b>			
12 to 24 V/AC/DC	max. 1 A	008 354	-
100 to 120 V/AC/DC	max. 1 A	008 355	-
200 to 240 V/AC/DC	max. 1 A	008 356	-

Ordering chart

The delivery of a cable plug includes the flat seal and fixing screw.

Voltage	Current rating	Item no. without cable
<b>With LED and varistor</b>		
12 to 24 V/AC/DC	max. 3 A	008 408
100 to 120 V/AC/DC	max. 3 A	008 409
200 to 240 V/AC/DC	max. 3 A	008 410
<b>With pole protection, rectifier and LED</b>		
12 to 24 V/DC	max. 1 A	008 411
<b>With rectifier and varistor</b>		
12 to 240 V/DC	max. 1.5 A	008 412



In case of special application conditions, please consult for advice.

We reserve the right to make technical changes without notice.

0602/1\_US-en