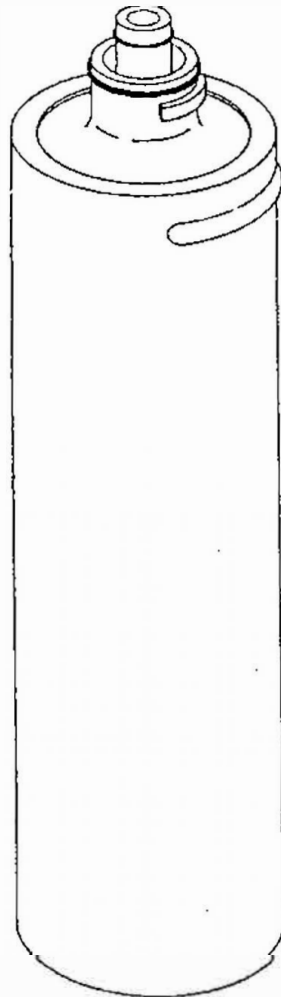
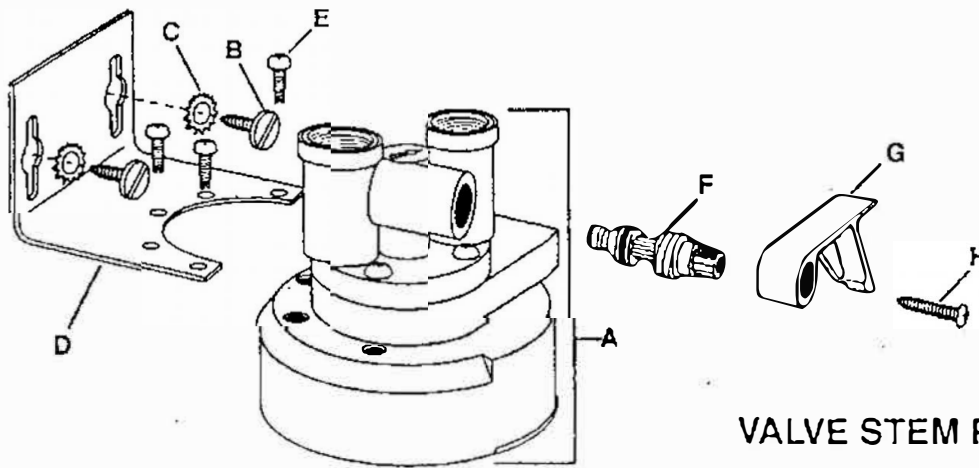




EVERPURE

VALVE STEM AND HANDLE REPLACEMENT ON RINGLET HEAD INSTALLATION AND OPERATION GUIDE



VALVE STEM REPLACEMENT

1. Shut off water to the filter.
2. Turn valve handle to closed position (counterclockwise).
3. Remove valve handle screw
4. Using the valve handle as a "ratchet", remove old valve stem.
5. Assemble new valve stem to head.
6. Using valve handle, turn valve stem counterclockwise until tight.
7. Position valve handle in the "11 o'clock" position - *important!!* This position is necessary for proper water shut-off for Everpure cartridge replacement.
8. Re-assemble screw to valve handle.

VALVE HANDLE REPLACEMENT

1. Remove screw from valve handle.
2. Place new valve handle in the same position.
3. Re-assemble screw to valve handle.

KEY LETTER	DESCRIPTION	PART NUMBER
A	QC4 Ringlet Head Assembly	3076-37
B	Mounting Screw	3061-96
C	Star Washer	3062-04
D	Mounting Bracket	3055-34
E	Bracket Screw	3062-03
F	Valve Stem	5896-00
G	Valve Handle	3034-52
H	Valve Handle Screw	3012-00