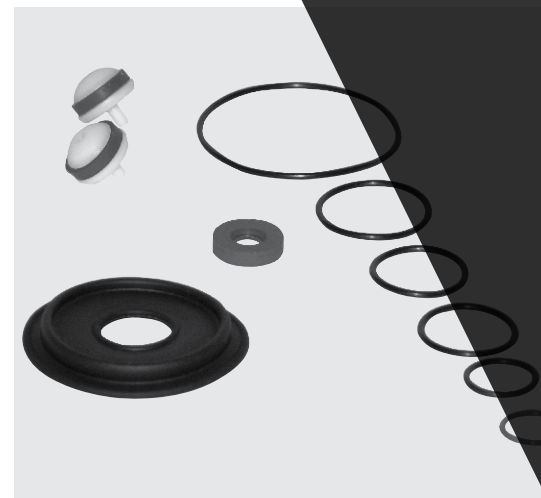
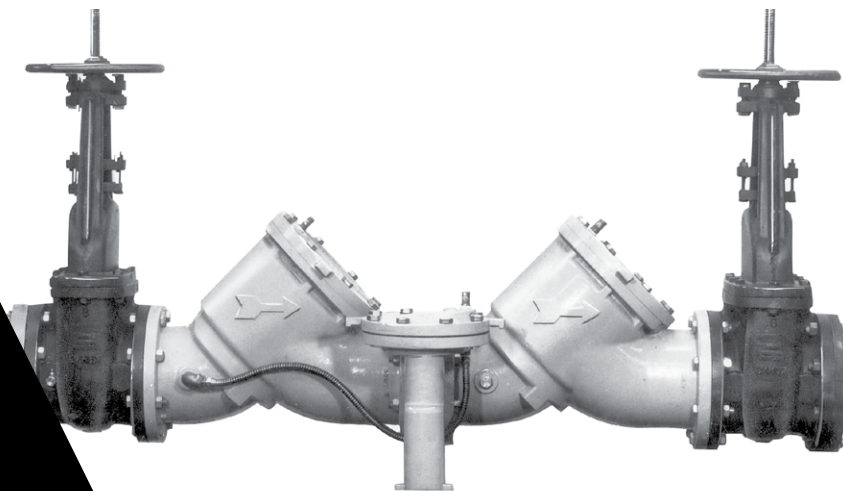
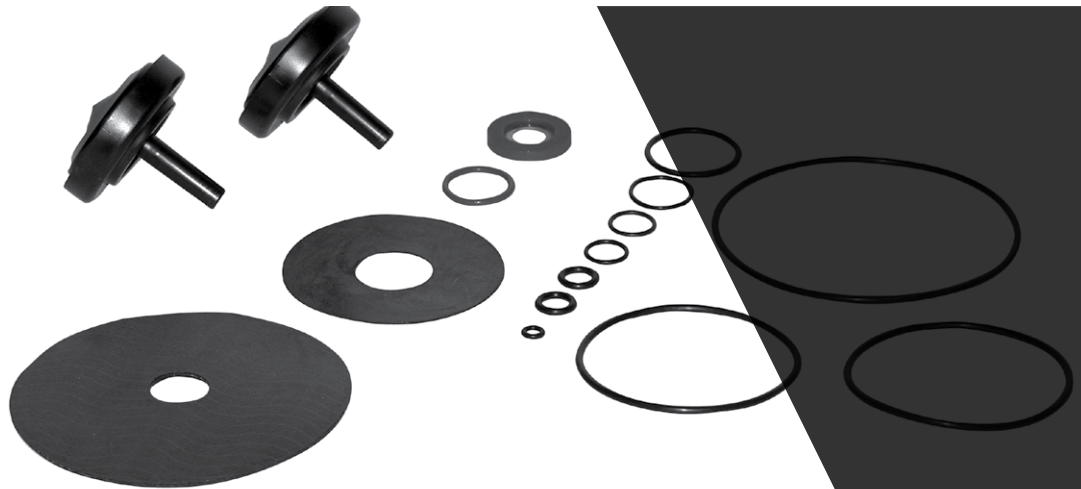
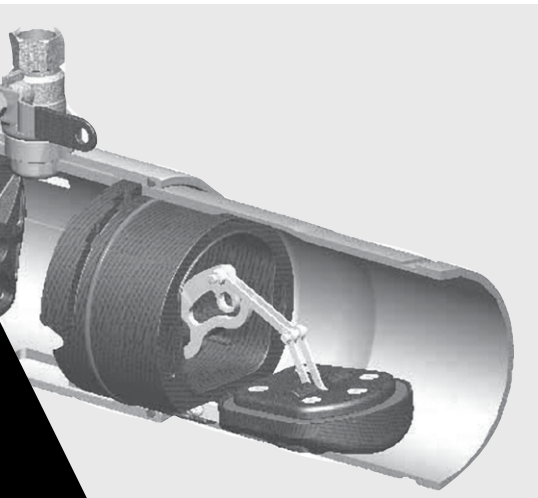


Price List

Backflow Prevention Products Repair Kits & Service Parts



Effective October 30, 2017

All prices supersede previous issues, are temporary and subject to change without notice.

Electronic is Green!

**For the latest Watts pricing information in
electronic format, visit our Data Exchange at:**

<http://www.wattswater.com/dataexchange>

- Download product and list price data in .csv, .pdf, .tsv, .xls and .xml formats
- Easy access to list price data for business systems
- Sign up for e-mail alerts when data is updated
- Access other Watts Water Technologies brands pricing data

Table of Contents

Series Size Page

1 Single & Double Check Valve Assemblies

| | | |
|-------------------------|--------------|----|
| 07F, SS07F | 4" - 10" | 3 |
| 007, LF007 | 1/2" - 2" | 4 |
| 007, LF007, 007DCDA | 2" - 3" | 5 |
| 709 | 3/4" - 2" | 6 |
| 709, LF709 | 2 1/2" - 10" | 7 |
| 709DCDA | 3" - 10" | 8 |
| 719, LF719 | 1/2" - 2" | 9 |
| 757, 757DCDA, LF757DCDA | 2 1/2" - 10" | 10 |
| 757a, 757aDCDA | 2 1/2" - 6" | 10 |
| 770, 770DCDA | 4" - 8" | 11 |
| 772, 772DCDA | 4" - 10" | 12 |
| 773, 773DCDA | 4" - 6" | 13 |
| 774, 774DCDA | 2 1/2" - 12" | 14 |
| 774X, 774XDCDA | 6" | 14 |
| 775 | 1/2" - 2" | 15 |
| 775, 775DCDA | 3" - 8" | 16 |
| Troubleshooting Guide | | 17 |

2 Reduced Pressure Zone Assemblies

| | | |
|-------------------------|---------------|--------|
| 009, LF009 | 1/4" - 1" | 18 |
| 009, LF009 | 1 1/4" - 2" | 19 |
| 009, LF009 | 1/4" - 2" | 20 |
| 009, LF009 | 2 1/2" - 3" | 21 |
| 900 | 3/4" - 2" | 22 |
| 909, LF909 | 3/4" - 2" | 23, 24 |
| 909, LF909 | 2 1/2" - 10" | 25, 26 |
| 909RPDA | 2 1/2" - 10" | 27, 28 |
| 919, LF919 | 1/4" - 2" | 29, 30 |
| 957, 957RPDA, LF957DCDA | 2 1/2" - 10" | 31, 32 |
| 990 | 4" - 8" | 33 |
| 990, 990RPDA | 4" - 8" | 34 |
| 992 | 4" - 10" | 35 |
| 992, 992RPDA | 4" - 10" | 36 |
| 993, 993RPDA | 4" - 6" | 37, 38 |
| 994, 994RPDA | 2 1/2" - 10" | 39 |
| 995 | 1/2" - 1 1/2" | 40 |
| 995, 995RPDA | 3" - 6" | 41 |
| Troubleshooting Guide | | 42 |

3 Vacuum Breakers

| | | |
|------------------------------------|-------------|----|
| 008, LF008, 008PC, LF008PC | 3/8" - 1" | 43 |
| 800M, 800CM | 1/2" - 3/4" | 43 |
| 800M4, LF800M4, 800M4FR, LF800M4FR | 1/2" - 2" | 44 |
| 800M3 | 1/2" - 3/4" | 45 |
| 800M2 | 1/2" - 2" | 45 |
| 800 | 1/2" - 2" | 46 |

Minimum order charge

A \$10.00 minimum order charge will apply for an individual parts order.

All prices are temporary and subject to change without notice and supersede all previous prices.

Series Size Page

4 Non-Testable Backflow Preventers

| | | |
|--|---------------|----|
| 9D | 1/2" - 3/4" | 47 |
| 8A, NF8 | 3/4" | 47 |
| SD3 | 1/4" - 3/8" | 47 |
| 9BD | 1/4" - 3/8" | 47 |
| 7, LF7 | 1/2" - 1 1/4" | 47 |
| N9, LFN9, NLF9, N9-CD, 912HP | 1/4" - 1" | 47 |
| SD2 | 1/4" - 3/8" | 47 |
| 188A, 288A, LF288A, 289, LF289, 388ASC, N388, LFN388 | 1/4" - 3" | 48 |

5 Accessories, Auxiliary Equipment

| | |
|----------------------------------|----|
| Accessories, Auxiliary Equipment | 49 |
| Replacement Shutoff Valves | 50 |
| Replacement Gate Valve Packs | 50 |
| Replacement Handle Kits | 51 |

Repair Kit Matrix

| Kit Type | Series | Model | Kit Contents | Size |
|---|--------|-------|--|------|
| <p><i>Example:</i> ^{Kit Type} RK - ^{Series} 909 - ^{Model} RPDA - ^{Kit Contents} M1 - ^{Size} CK1 - 8"</p> | | | | |
| RK = Repair Kit HK = Handle Kit AK = Accessory Kit UK = Union Kit | | | B = Bonnet Assembly C = Cover V = Vent or Relief Valve CK = Check or Spring RC = Rubber for Check RV = Rubber for Relief Valve RT = Total Rubber Parts S = Seat M = Metered Bypass L = Less Meter G = GPM C = CFM T = Total (all internal parts) 1 = First Check 2 = Second Check 3 = Both 1st and 2nd Check 4 = Either 1st or 2nd Check SS = Stainless Steel SM = Spring Module HW = Harsh/Hot Water | |

1 Single & Double Check Assemblies

Terms and Conditions

FREIGHT TERMS: All shipments are F.O.B. shipping point. Shipments from factory less than 1000 lbs. are F.O.B. factory. Factory shipments OF \$5000 and over within the continental U.S.A. will be prepaid and allowed when made at the lowest motor carrier transportation rate.

TERMS OF SALE: All sales are F.O.B. shipping point.

PAYMENT TERMS: The invoices are due and payable 30 days from the date of invoice.

PURCHASE ORDER FORMS: Orders submitted on customer's own purchase order forms will be accepted only with the express understanding that no statements, clauses, or conditions contained in said order form will be binding on the Seller if they in any way modify the Seller's own terms and conditions of sales.

STOCKING WHOLESALE MINIMUM CHARGE: A minimum billing charge of \$100.00 applies to shipments F.O.B. factory. Stocking Wholesaler Customers are encouraged to order sufficient material to avoid this charge which is necessitated by increased costs of processing small orders.

SPECIAL PRODUCTS: Orders for special or modified products are non-cancelable.

LIMITED WARRANTY: Watts Regulator Co. (the "Company") warrants each product to be free from defects in material and workmanship under normal usage for a period of one year from the date of original shipment. In the event of such defects within the warranty period, the Company will, at its option, replace or recondition the product without charge.

THE WARRANTY SET FORTH HEREIN IS GIVEN EXPRESSLY AND IS THE ONLY WARRANTY GIVEN BY THE COMPANY WITH RESPECT TO THE PRODUCT. THE COMPANY MAKES NO OTHER WARRANTIES, EXPRESS OR IMPLIED. THE COMPANY HEREBY SPECIFICALLY DISCLAIMS ALL OTHER WARRANTIES, EXPRESS OR IMPLIED, INCLUDING BUT NOT LIMITED TO THE IMPLIED WARRANTIES OF MERCHANTABILITY AND FITNESS FOR A PARTICULAR PURPOSE.

The remedy described in the first paragraph of this warranty shall constitute the sole and exclusive remedy for breach of warranty, and the Company shall not be responsible for any incidental, special or consequential damages, including without limitation, lost profits or the cost of repairing or replacing other property which is damaged if this product does not work properly, other costs resulting from labor charges, delays, vandalism, negligence, fouling caused by foreign material, damage from adverse water conditions, chemical, or any other circumstances over which the Company has no control. This warranty shall be invalidated by any abuse, misuse, misapplication, improper installation or improper maintenance or alteration of the product.

Some States do not allow limitations on how long an implied warranty lasts, and some States do not allow the exclusion or limitation of incidental or consequential damages. Therefore the above limitations may not apply to you. This Limited Warranty gives you specific legal rights, and you may have other rights that vary from State to State. You should consult applicable state laws to determine your rights. **SO FAR AS IS CONSISTENT WITH APPLICABLE STATE LAW, ANY IMPLIED WARRANTIES THAT MAY NOT BE DISCLAIMED, INCLUDING THE IMPLIED WARRANTIES OF MERCHANTABILITY AND FITNESS FOR A PARTICULAR PURPOSE, ARE LIMITED IN DURATION TO ONE YEAR FROM THE DATE OF ORIGINAL SHIPMENT.**

SERVICE POLICY: For inoperative products beyond the warranty period, we assume no liability for replacement of valves due to service conditions beyond our control.

RETURNED GOODS: No material shall be returned without authorization. When credit is issued it will be at the price charged, or prevailing price if lower, less handling charges based on costs of reconditioning, boxing, etc. However, a minimum 25% handling charge will apply. A minimum handling charge of \$20.00 is applied whenever the 25% handling deduction does not total \$20.00. Products which are obsolete or made to special order are not returnable.

NOTE: Prices and terms are subject to change without notice and supersede all previous quotations. The right is reserved to change or modify product design or construction without prior notice and without incurring any obligation to make such changes and modifications on products previously or subsequently sold.

Series 07F, SS07F

Single Check Valves

Sizes 4" – 10"

07F Repair Kits

When ordering specify Ordering Code, Kit No., and Valve Size.

| ORDERING CODE | KIT NO. | SIZE | LIST PRICE |
|--------------------------|-----------|------|------------|
| Rubber Parts Kits | | | |
| 0887105 | RK 07F RT | 4" | \$409.50 |
| 0887106 | RK 07F RT | 6" | 678.00 |
| 0887107 | RK 07F RT | 8" | 1,030.00 |

Kit consists of: cover O-ring, bolt O-ring, disc and bracket.

Check Kits

| | | | |
|---------|------------|----|----------|
| 0887108 | RK 07F CK4 | 4" | 464.00 |
| 0887109 | RK 07F CK4 | 6" | 857.00 |
| 0887110 | RK 07F CK4 | 8" | 1,501.00 |

Kit consists of: spring assembly and cover O-ring.

Seat Kits

| | | | |
|---------|----------|----|--------|
| 0887111 | RK 07F S | 4" | 118.50 |
| 0887112 | RK 07F S | 6" | 183.50 |
| 0887113 | RK 07F S | 8" | 233.00 |

Kit consists of: seat, seat O-ring and cover O-ring.

Total Repair Kits

| | | | |
|---------|----------|----|----------|
| 0887114 | RK 07F T | 4" | 582.50 |
| 0887115 | RK 07F T | 6" | 1,042.00 |
| 0887116 | RK 07F T | 8" | 1,734.00 |

Kit consists of: spring assembly, disc and bracket, bolt O-rings and cover O-ring.

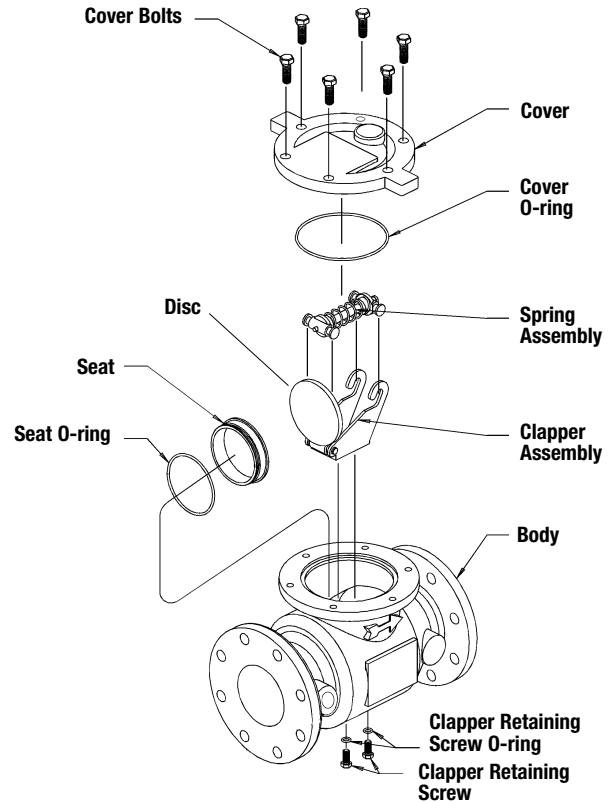
SS07F Repair Kits

Check Kits

| | | | |
|---------|-------------|---------|----------|
| 0888940 | RK SS07F CK | 4" | \$619.00 |
| 0888941 | RK SS07F CK | 6" | 777.00 |
| 0888942 | RK SS07F CK | 8", 10" | 893.50 |

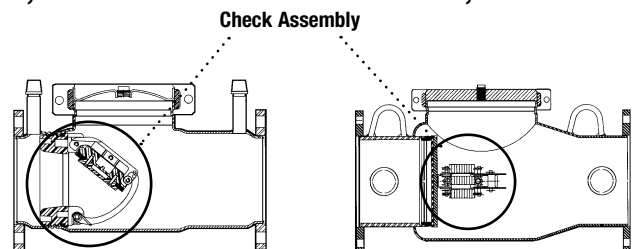
Kit consists of: complete check assembly.

4" – 8" 07F



4", 6" SS07F

8", 10" SS07F



*The wetted surface of this product contacted by consumable water contains less than 0.25% of lead by weight.

Series 007, LF007

Double Check Valve Assemblies

Sizes 1/2" - 2"

Repair Kits

When ordering specify Ordering Code, Kit No., and Valve Size.

| ORDERING CODE | KIT NO. | SIZE | LIST PRICE |
|--------------------------|------------|-----------------|------------|
| Total Repair Kits | | | |
| 0887033 | RK 007-T | 1/2" | \$67.75 |
| 0887724 | RK 007M2-T | 3/4" | 47.75 |
| 0888554 | RK 007M3-T | 3/4" | 45.25 |
| 0887027 | RK 007-T | 3/4" - 1" | 102.00 |
| 0887044 | RK 007M1-T | 3/4" - 1" | 98.00 |
| 0887723 | RK 007M2-T | 1 1/4" - 1 1/2" | 188.00 |
| 0887034 | RK 007-T | 1 1/2" - 2" | 199.00 |
| 0887192 | RK 007M1-T | 1 1/2" - 2" | 192.00 |

Kit consists of: first check repair kit, second check repair kit, retainer (if plastic)

Check Kits: 1st or 2nd Check

| ORDERING CODE | KIT NO. | SIZE | LIST PRICE |
|---------------|----------------|-----------|------------|
| 0887193 | RK 007 CK4 | 1/2" | \$37.75 |
| 0887377 | RK SS007 CK4 | 1/2" | 37.75 |
| 0887373 | RK SS007M1 CK4 | 1" | 54.50 |
| 0887026 | RK 007M1 CK4 | 3/4" - 1" | 54.50 |

1st Check

| ORDERING CODE | KIT NO. | SIZE | LIST PRICE |
|---------------|----------------|-----------------|------------|
| 0887045 | RK 007M2 CK1 | 3/4" | 26.50 |
| 0888550 | RK 007M3 CK1 | 3/4" | 25.25 |
| 0887393 | RK SS007M2 CK1 | 3/4" | 26.50 |
| 0888070 | RK SS007M3 CK1 | 1/2" - 3/4" | 26.50 |
| 0887023 | RK 007 CK1 | 3/4" - 1" | 56.50 |
| 0887025 | RK 007 CK1 | 1 1/2" - 2" | 110.50 |
| 0887186 | RK 007M1 CK1 | 1 1/2" - 2" | 107.00 |
| 0887719 | RK 007M2 CK1 | 1 1/4" - 1 1/2" | 104.50 |

2nd Check

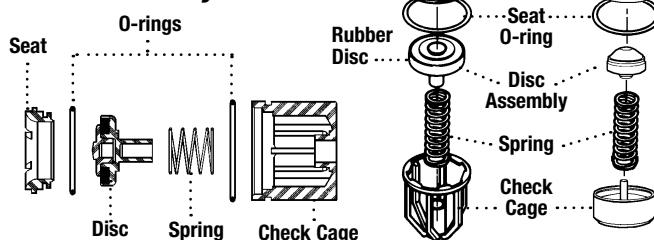
| ORDERING CODE | KIT NO. | SIZE | LIST PRICE |
|---------------|----------------|-----------------|------------|
| 0887046 | RK 007M2 CK2 | 3/4" | 26.50 |
| 0888551 | RK 007M3 CK2 | 3/4" | 25.25 |
| 0888071 | RK SS007M3 CK2 | 1/2" - 3/4" | 26.50 |
| 0887024 | RK 007 CK2 | 3/4" - 1" | 56.50 |
| 0887028 | RK 007 CK2 | 1 1/2" - 2" | 110.50 |
| 0887187 | RK 007M1 CK2 | 1 1/2" - 2" | 107.00 |
| 0887720 | RK 007M2 CK2 | 1 1/4" - 1 1/2" | 104.50 |

Stainless Steel 1st or 2nd Check

| ORDERING CODE | KIT NO. | SIZE | LIST PRICE |
|---------------|-----------------|-------------|------------|
| 0887022 | RK 007 CK1 SS | 3/4" - 1" | 195.00 |
| 0887030 | RK 007 CK2 SS | 3/4" - 1" | 195.00 |
| 0887032 | RK 007M1 CK4 SS | 3/4" - 1" | 187.50 |
| 0887031 | RK 007 CK1 SS | 1 1/2" - 2" | 273.50 |
| 0887035 | RK 007 CK2 SS | 1 1/2" - 2" | 273.50 |
| 0887189 | RK 007M1 CK1 SS | 1 1/2" - 2" | 263.00 |
| 0887190 | RK 007M1 CK2 SS | 1 1/2" - 2" | 263.00 |

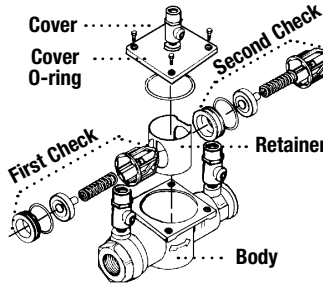
Kit consists of: seat; seat O-ring; disc assembly; spring; check cage; cover O-ring.

3/4" 007M3 Check Assembly

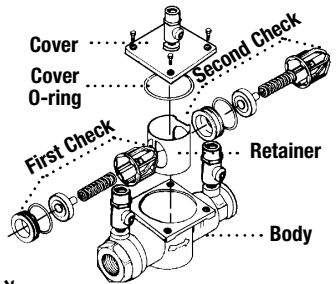


Rubber seat disc can be replaced. However, disc holder and disc retainer are permanently bonded to prevent failure.

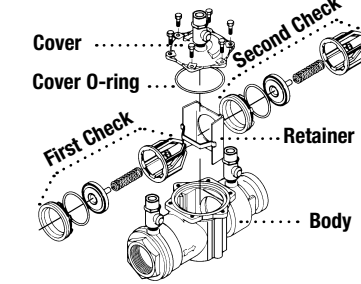
1/2" - 1" 007



1 1/4" - 1 1/2" 007M2



2" 007M1



| ORDERING CODE | KIT NO. | SIZE | LIST PRICE |
|------------------|-----------------|-----------------|------------|
| Cover Kit | | | |
| 0887195 | RK 007 C | 1/2" | \$56.00 |
| 0887379 | RK SS007 C | 1/2" | 160.00 |
| 0888073 | RK SS007M3 C | 1/2" - 3/4" | 178.00 |
| 0794005 | LFRK 007M2/M3-C | 3/4" | 65.50 |
| 0887380 | RK SS007M2 C | 3/4" | 178.00 |
| 0887381 | RK SS007M1 C | 1" | 258.50 |
| 0794004 | LFRK 007M1 C | 3/4" - 1" | 95.00 |
| 0887191 | RK 007M1 C | 1 1/2" - 2" | 140.50 |
| 0887722 | RK 007M2 C | 1 1/4" - 1 1/2" | 124.00 |

Kit consists of: cover and cover O-ring.

Complete Rubber Parts

| ORDERING CODE | KIT NO. | SIZE | LIST PRICE |
|---------------|---------------|-----------------|------------|
| 0887194 | RK 007 RT | 1/2" | \$23.00 |
| 0887378 | RK SS007 RT | 1/2" | 23.00 |
| 0888072 | RK SS007M3 RT | 1/2" - 3/4" | 23.00 |
| 0887394 | RK SS007M2 RT | 3/4" | 23.00 |
| 0887043 | RK 007M2 RT | 3/4" | 23.00 |
| 0888552 | RK 007M3 RT | 3/4" | 22.00 |
| 0887374 | RK SS007M1 RT | 1" | 23.00 |
| 0887040 | RK 007 RT | 3/4" - 1" | 23.75 |
| 0887042 | RK 007M1 RT | 3/4" - 1" | 23.00 |
| 0887041 | RK 007 RT | 1 1/2" - 2" | 71.00 |
| 0887188 | RK 007M1 RT | 1 1/2" - 2" | 32.00 |
| 0887721 | RK 007M2 RT | 1 1/4" - 1 1/2" | 32.00 |

Kit consists of: cover O-ring; 2 disc assemblies and 2 seat O-rings.

*The wetted surface of this product contacted by consumable water contains less than 0.25% of lead by weight.

Series 007, LF007, 007DCDA

Double Check Valve Assemblies Double Check Detector Assemblies

Sizes 2" – 3"

Repair Kits

When ordering specify Ordering Code, Kit No., and Valve Size.

| ORDERING CODE | KIT NO. | SIZE | LIST PRICE |
|---------------|---------|------|------------|
|---------------|---------|------|------------|

First Check Kit

| LEAD FREE | ORDERING CODE | KIT NO. | SIZE | LIST PRICE |
|-----------|---------------|------------------|------------|------------|
| | 0887980 | RK 007DCDA CK1 | 2" | \$112.50 |
| | 0794006 | LFRK 007 CK1 | 2 1/2", 3" | 541.50 |
| | 0794007 | LFRK 007DCDA CK1 | 2 1/2", 3" | 562.00 |

Kit consists of: seat, seat O-ring, disc assembly, spring, spring retainer, check cage and cover O-ring.

Second Check Kit

| LEAD FREE | ORDERING CODE | KIT NO. | SIZE | LIST PRICE |
|-----------|---------------|------------------|------------|------------|
| | 0887981 | RK 007DCDA CK2 | 2" | 101.50 |
| | 0794008 | LFRK 007 CK2 | 2 1/2", 3" | 515.50 |
| | 0794009 | LFRK 007DCDA-CK2 | 2 1/2", 3" | 515.50 |

Kit consists of: seat, seat O-ring, disc assembly, spring, spring retainer, check cage and cover O-ring.

Complete Rubber Parts

| LEAD FREE | ORDERING CODE | KIT NO. | SIZE | LIST PRICE |
|-----------|---------------|---------------|------------|------------|
| | 0887982 | RK 007DCDA RT | 2" | 30.25 |
| | 0887287 | RK 007 RT | 2 1/2", 3" | 118.50 |
| | 0887967 | RK 007DCDA RT | 2 1/2", 3" | 118.50 |

Kit consists of: 2 seat discs, 2 seat O-rings, and cover O-ring.

Cover Kit

| LEAD FREE | ORDERING CODE | KIT NO. | SIZE | LIST PRICE |
|-----------|---------------|--------------|------------|------------|
| | 0887983 | RK 007DCDA C | 2" | 133.50 |
| | 0887288 | RK 007 C | 2 1/2", 3" | 367.00 |
| | 0887970 | RK 007DCDA C | 2 1/2", 3" | 367.50 |

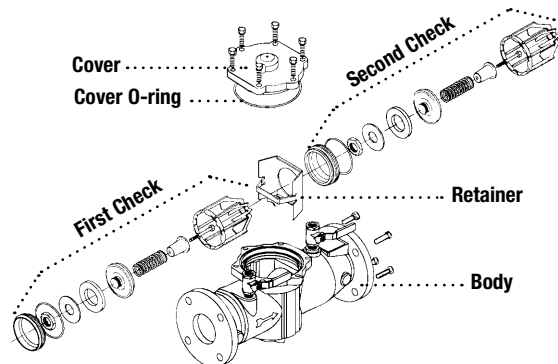
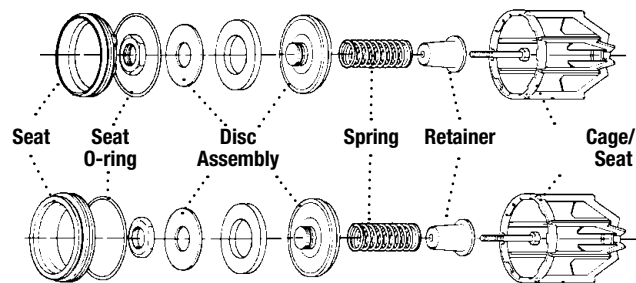
Kit consists of: cover, cover O-ring.

Seat Kit

| LEAD FREE | ORDERING CODE | KIT NO. | SIZE | LIST PRICE |
|-----------|---------------|---------------|------------|------------|
| | 0887984 | RK 007DCDA S1 | 2" | 85.00 |
| | 0887985 | RK 007DCDA S2 | 2" | 85.00 |
| | 0887289 | RK 007 S1 | 2 1/2", 3" | 91.25 |
| | 0887290 | RK 007 S2 | 2 1/2", 3" | 91.25 |
| | 0887968 | RK 007DCDA S1 | 2 1/2", 3" | 91.25 |
| | 0887969 | RK 007DCDA S2 | 2 1/2", 3" | 91.25 |

Kit consists of: seat, seat O-ring and cover O-ring.

Check Assemblies



*The wetted surface of this product contacted by consumable water contains less than 0.25% of lead by weight.

Series 709

Double Check Valve Assemblies

Sizes 3/4" – 2"

Repair Kits

When ordering specify Ordering Code, Kit No., and Valve Size.

| ORDERING CODE | KIT NO. | SIZE | LIST PRICE |
|---------------|---------|------|------------|
|---------------|---------|------|------------|

First or Second Check Kits

| LEAD FREE* | ORDERING CODE | KIT NO. | SIZE | LIST PRICE |
|------------|---------------|---------------|-------------|------------|
| | 0887150 | RK 709 CK4 | 3/4" – 1" | \$105.50 |
| | 0887151 | RK 709 CK4 | 1 1/2" – 2" | 192.50 |
| | 0887154 | RK 709 CK4SS* | 3/4" – 1" | 272.50 |
| | 0887155 | RK 709 CK4SS* | 1 1/2" – 2" | 382.50 |

Kit consists of: disc assembly; spring; seat O-ring and cover O-ring.

Complete Rubber Parts

| LEAD FREE* | ORDERING CODE | KIT NO. | SIZE | LIST PRICE |
|------------|---------------|-----------|-------------|------------|
| | 0887152 | RK 709 RT | 3/4" – 1" | 14.50 |
| | 0887153 | RK 709 RT | 1 1/2" – 2" | 66.75 |

Kit consists of: disc assembly; seat O-ring and cover O-ring.

Seat Kits

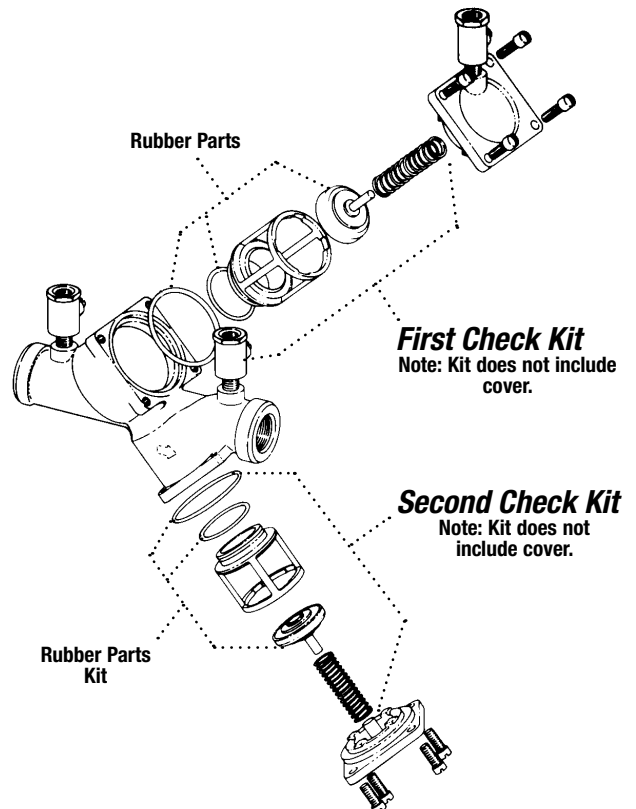
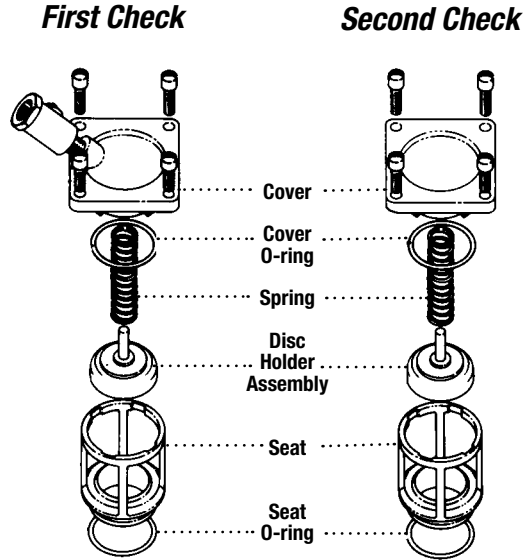
| LEAD FREE* | ORDERING CODE | KIT NO. | SIZE | LIST PRICE |
|------------|---------------|-------------|-------------|------------|
| | 0887160 | RK709 S4 | 3/4" – 1" | 32.00 |
| | 0887161 | RK709 S4 | 1 1/2" – 2" | 40.00 |
| | 0887162 | RK709 S4SS* | 3/4" – 1" | 230.00 |
| | 0887163 | RK709 S4SS* | 1 1/2" – 2" | 298.00 |

Kit consists of: seat; seat O-ring and cover O-ring.

Cover Kits

| ORDERING CODE | KIT NO. | SIZE | LIST PRICE |
|---------------|----------|-------------|------------|
| 0887156 | RK 709C1 | 3/4" – 1" | 73.75 |
| 0887157 | RK 709C1 | 1 1/2" – 2" | 92.00 |
| 0887158 | RK 709C2 | 3/4" – 1" | 67.25 |
| 0887159 | RK 709C2 | 1 1/2" – 2" | 92.00 |

Kit consists of: cover and cover O-ring.



*The wetted surface of this product contacted by consumable water contains less than 0.25% of lead by weight.

Series 709, LF709

Double Check Valve Assemblies

Sizes 2 1/2" – 10"

Repair Kits

When ordering specify Ordering Code, Kit No., and Valve Size.

| | ORDERING CODE | KIT NO. | SIZE | LIST PRICE |
|------------|-----------------------------------|--------------|-------------|------------|
| LEAD FREE* | First or Second Check Kits | | | |
| | 0794014 | LFRK 709 CK4 | 2 1/2" – 3" | \$433.50 |
| | 0794015 | LFRK 709 CK4 | 4" | 707.50 |
| | 0794016 | LFRK 709 CK4 | **6" | 1,222.00 |
| | 0794017 | LFRK 709 CK4 | 8" | 2,237.00 |
| 0794018 | LFRK 709 CK4 | 10" | 3,012.00 | |

Kit consists of: disc & spring assembly and cover O-ring.

Rubber Parts (for one check)

| | | | | |
|------------|---------|------------|-------------|--------|
| LEAD FREE* | 0887905 | RK 709 RC4 | 2 1/2" – 3" | 66.50 |
| | 0887906 | RK 709 RC4 | 4" | 89.00 |
| | 0887907 | RK 709 RC4 | **6" | 101.50 |
| | 0887908 | RK 709 RC4 | 8" | 122.50 |
| | 0887909 | RK 709 RC4 | 10" | 168.00 |

Kit consists of: disc and cover O-ring.

Complete Rubber Parts

| | | | | |
|------------|---------|-----------|-------------|--------|
| LEAD FREE* | 0887915 | RK 709 RT | 2 1/2" – 3" | 133.50 |
| | 0887916 | RK 709 RT | 4" | 178.00 |
| | 0887917 | RK 709 RT | **6" | 202.50 |
| | 0887918 | RK 709 RT | 8" | 245.50 |
| | 0887919 | RK 709 RT | 10" | 336.00 |

Kit consists of: 2 discs and 2 cover O-rings.

Seat Kits

| | | | | |
|------------|---------|-----------|-------------|----------|
| LEAD FREE* | 0794019 | LFRK 709S | 2 1/2" – 3" | 173.50 |
| | 0794020 | LFRK 709S | 4" | 254.50 |
| | 0794021 | LFRK 709S | 6" | 438.50 |
| | 0794022 | LFRK 709S | 8" | 1,048.00 |
| | 0794023 | LFRK 709S | 10" | 1,224.00 |

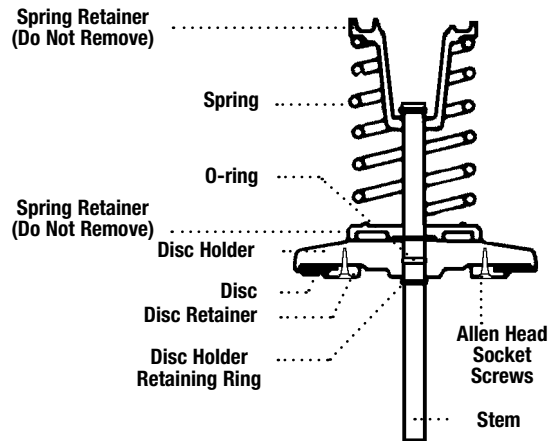
Kit consists of: seat; seat O-ring; cover O-ring and retainer wire.

Cover Kits

| | | | | |
|------------|---------|----------|-------------|----------|
| LEAD FREE* | 0887920 | RK 709 C | 2 1/2" – 3" | 231.00 |
| | 0887921 | RK 709 C | 4" | 259.00 |
| | 0887922 | RK 709 C | 6" | 361.50 |
| | 0887923 | RK 709 C | 8" | 593.00 |
| | 0887924 | RK 709 C | 10" | 1,330.00 |

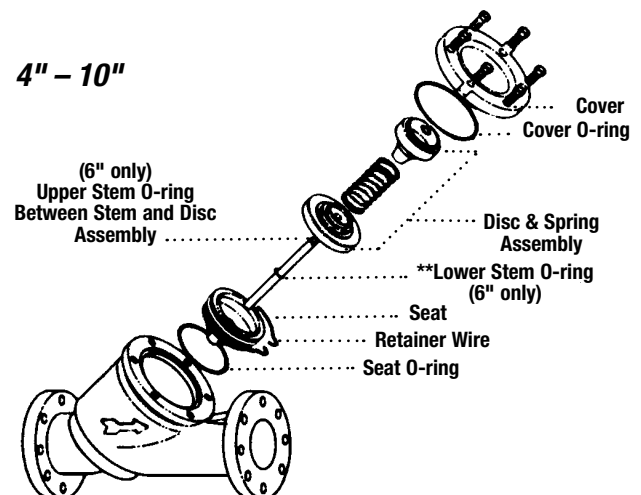
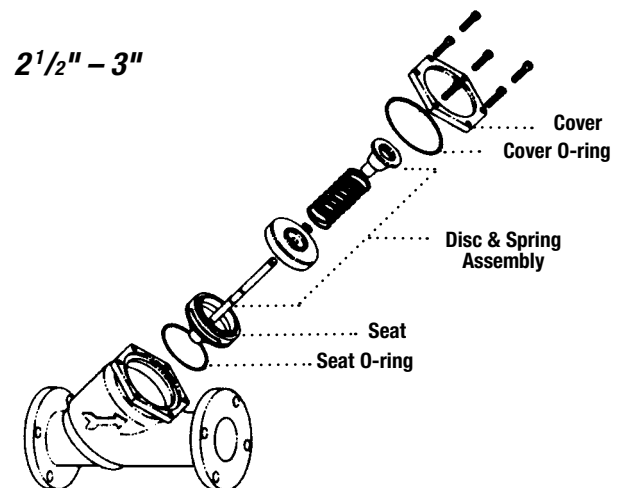
Kit consists of: cover and cover O-ring.

**6" also includes upper and lower stem O-ring



⚠ WARNING

Spring assembly is factory assembled. DO NOT DISASSEMBLE.



*The wetted surface of this product contacted by consumable water contains less than 0.25% of lead by weight.

Series 709DCDA

Double Check Detector Assemblies

Sizes 3" – 10"

Repair Kits

When ordering specify Ordering Code, Kit No., and Valve Size.

| ORDERING CODE | KIT NO. | SIZE | LIST PRICE |
|---------------|---------|------|------------|
|---------------|---------|------|------------|

First Check Kits

| ORDERING CODE | KIT NO. | SIZE | LIST PRICE |
|---------------|------------------|------|------------|
| 0794024 | LFRK 709DCDA-CK1 | 3" | \$555.00 |
| 0794025 | LFRK 709DCDA-CK1 | 4" | 773.00 |
| 0794026 | LFRK 709DCDA-CK1 | **6" | 1,397.00 |
| 0794027 | LFRK 709DCDA-CK1 | 8" | 2,525.00 |
| 0794028 | LFRK 709DCDA-CK1 | 10" | 3,748.00 |

Second Check Kits

| ORDERING CODE | KIT NO. | SIZE | LIST PRICE |
|---------------|------------------|------|------------|
| 0794029 | LFRK 709DCDA-CK2 | 3" | 433.50 |
| 0794030 | LFRK 709DCDA-CK2 | 4" | 707.50 |
| 0794031 | LFRK 709DCDA-CK2 | **6" | 1,222.00 |
| 0794032 | LFRK 709DCDA-CK2 | 8" | 2,237.00 |
| 0794033 | LFRK 709DCDA-CK2 | 10" | 3,012.00 |

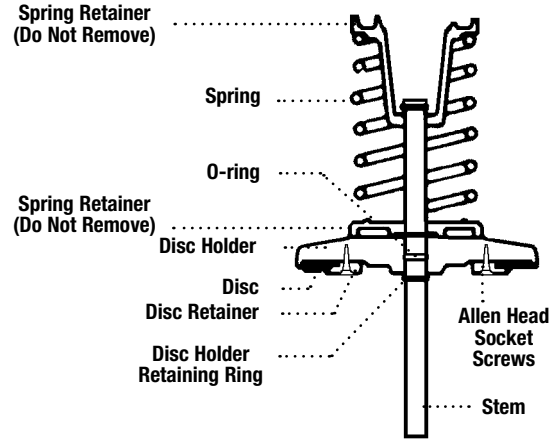
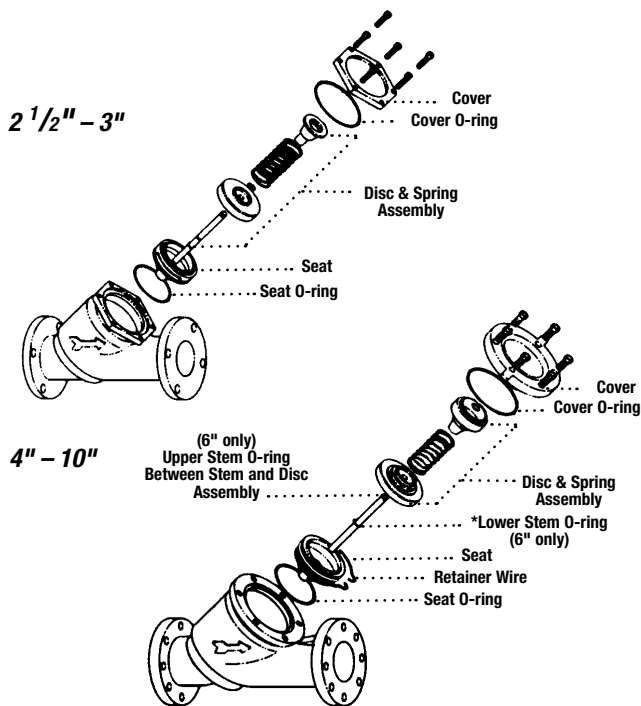
Kit consists of: disc assembly; spring and cover O-ring.

Rubber Parts (for one check)

| ORDERING CODE | KIT NO. | SIZE | LIST PRICE |
|---------------|----------------|------|------------|
| 0887940 | RK 709DCDA RC4 | 3" | 66.50 |
| 0887941 | RK 709DCDA RC4 | 4" | 89.00 |
| 0887942 | RK 709DCDA RC4 | **6" | 101.50 |
| 0887943 | RK 709DCDA RC4 | 8" | 122.50 |
| 0887944 | RK 709DCDA RC4 | 10" | 168.00 |

Kit consists of: disc and cover O-ring.

**6" also includes lower stem O-ring



WARNING

Spring assembly is factory assembled. DO NOT DISASSEMBLE.

| ORDERING CODE | KIT NO. | SIZE | LIST PRICE |
|---------------|---------|------|------------|
|---------------|---------|------|------------|

Seat Kits

| ORDERING CODE | KIT NO. | SIZE | LIST PRICE |
|---------------|----------------|------|------------|
| 0794034 | LFRK 709DCDA-S | 3" | \$173.50 |
| 0794035 | LFRK 709DCDA-S | 4" | 254.50 |
| 0794036 | LFRK 709DCDA-S | 6" | 438.50 |
| 0794037 | LFRK 709DCDA-S | 8" | 1,048.00 |
| 0794038 | LFRK 709DCDA-S | 10" | 1,224.00 |

Kit consists of: seat; seat O-ring; cover O-ring and retainer wire.

Cover Kits

| ORDERING CODE | KIT NO. | SIZE | LIST PRICE |
|---------------|--------------|------|------------|
| 0887950 | RK 709DCDA C | 3" | 235.50 |
| 0887951 | RK 709DCDA C | 4" | 264.00 |
| 0887952 | RK 709DCDA C | 6" | 368.50 |
| 0887953 | RK 709DCDA C | 8" | 604.50 |
| 0887954 | RK 709DCDA C | 10" | 1,356.00 |

Kit consists of: cover and cover O-ring.

Complete Rubber Parts

| ORDERING CODE | KIT NO. | SIZE | LIST PRICE |
|---------------|---------------|------|------------|
| 0887956 | RK 709DCDA RT | 3" | 136.00 |
| 0887957 | RK 709DCDA RT | 4" | 181.00 |
| 0887958 | RK 709DCDA RT | **6" | 206.50 |
| 0887959 | RK 709DCDA RT | 8" | 250.00 |
| 0887960 | RK 709DCDA RT | 10" | 342.00 |

Kit consists of: 2 discs and 2 cover O-rings.

**6" also includes upper and lower stem O-ring

*The wetted surface of this product contacted by consumable water contains less than 0.25% of lead by weight.

Series 719, LF719

Double Check Valve Assemblies

Sizes 1/2" – 2"

Repair Kits

When ordering specify Ordering Code, Kit No., and Valve Size.

| ORDERING CODE | KIT NO. | SIZE | LIST PRICE |
|---------------|---------|------|------------|
|---------------|---------|------|------------|

Total Repair Kits

| LEAD FREE* | ORDERING CODE | KIT NO. | SIZE | LIST PRICE |
|------------|---------------|----------|-----------------|------------|
| | 0889083 | RK 719-T | 1/2" | \$67.75 |
| | 0889084 | RK 719-T | 3/4" | 98.00 |
| | 0889085 | RK 719-T | 1" | 102.00 |
| | 0889086 | RK 719-T | 1 1/4" - 1 1/2" | 188.00 |
| | 0889087 | RK 719-T | 2" | 192.00 |

Kit consists of: 2 first or second check repair kits

1st or 2nd Check Kits

| LEAD FREE* | ORDERING CODE | KIT NO. | SIZE | LIST PRICE |
|------------|---------------|---------------|-----------------|------------|
| | 0888100 | RK 719R10 CK4 | 1/2" – 3/4" | 46.00 |
| | 0889060 | RK 719 CK4 | 1/2" | 37.75 |
| | 0889061 | RK 719 CK4 | 3/4" | 54.50 |
| | 0889062 | RK 719 CK4 | 1" | 56.50 |
| | 0888101 | RK 719 CK4 | 1 1/4" - 1 1/2" | 104.50 |
| | 0888102 | RK 719 CK4 | 2" | 107.00 |

Kit consists of: disc holder, spring and cover O-ring.

1st or 2nd Check Rubber Parts Kits

| LEAD FREE* | ORDERING CODE | KIT NO. | SIZE | LIST PRICE |
|------------|---------------|---------------|-----------------|------------|
| | 0888103 | RK 719R10 RC4 | 1/2" – 3/4" | 14.50 |
| | 0889063 | RK 719 RC4 | 1/2" | 11.25 |
| | 0889064 | RK 719 RC4 | 3/4" | 11.25 |
| | 0889065 | RK 719 RC4 | 1" | 11.25 |
| | 0888104 | RK 719 RC4 | 1 1/4" – 1 1/2" | 14.75 |
| | 0888105 | RK 719 RC4 | 2" | 15.50 |

Kit consists of: disc rubber, seat O-ring and cover O-ring.

1st or 2nd Check Seat Kits

| LEAD FREE* | ORDERING CODE | KIT NO. | SIZE | LIST PRICE |
|------------|---------------|-------------|-----------------|------------|
| | 0888997 | RK 719R10 S | 1/2" – 3/4" | 32.25 |
| | 0889069 | RK 719 S | 1/2" | 29.00 |
| | 0889070 | RK 719 S | 3/4" | 38.25 |
| | 0889071 | RK 719 S | 1" | 39.50 |
| | 0888998 | RK 719 S | 1 1/4" – 1 1/2" | 60.25 |
| | 0888999 | RK 719 S | 2" | 66.75 |

Kit consists of: seat, seat O-ring and cover O-ring.

Complete Valve Rubber Parts Kits

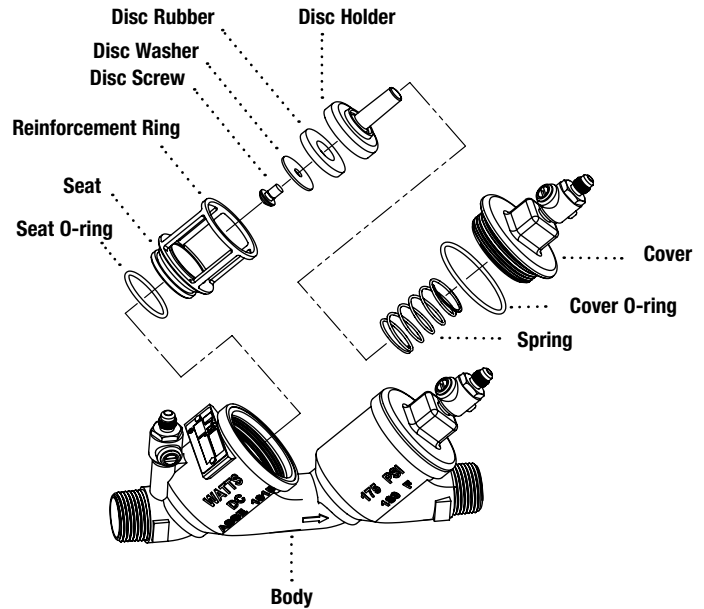
| LEAD FREE* | ORDERING CODE | KIT NO. | SIZE | LIST PRICE |
|------------|---------------|-----------|-----------------|------------|
| | 0889078 | RK 719 RT | 1/2" | 45.75 |
| | 0889079 | RK 719 RT | 3/4" | 47.50 |
| | 0889080 | RK 719 RT | 1" | 57.50 |
| | 0889081 | RK 719 RT | 1 1/4" – 1 1/2" | 61.00 |
| | 0889082 | RK 719 RT | 2" | 62.00 |

Kit consists of: 2 check seat O-rings, 2 check cover O-rings, 2 check rubbers.

1st or 2nd Check Cover Kits

| LEAD FREE* | ORDERING CODE | KIT NO. | SIZE | LIST PRICE |
|------------|---------------|----------------|-----------------|------------|
| | 0889072 | LFRK 719-R10-C | 1/2" – 3/4" | 77.00 |
| | 0794039 | LFRK 719 C | 1/2" | 58.75 |
| | 0794040 | LFRK 719 C | 3/4" | 95.00 |
| | 0794041 | LFRK 719 C | 1" | 98.75 |
| | 0794042 | LFRK 719 C | 1 1/4" – 1 1/2" | 130.50 |
| | 0794043 | LFRK 719 C | 2" | 153.00 |

Kit consists of: cover and cover O-ring.



For 1 1/4" 719R15 models use 1 1/4" - 1 1/2" repair kits.

*The wetted surface of this product contacted by consumable water contains less than 0.25% of lead by weight.

Series 757, 757DCDA, LF757DCDA 757a, 757aDCDA

Double Check Valve Assemblies Double Check Detector Assemblies

Sizes 2 1/2" – 10"

Repair Kits 757, 757DCDA, LF757DCDA

When ordering specify Ordering Code, Kit No., and Valve Size.

| ORDERING CODE | KIT NO. | DISC | SIZE | LIST PRICE |
|---------------|---------|------|------|------------|
|---------------|---------|------|------|------------|

First Check Kits

| LEAD FREE | ORDERING CODE | KIT NO. | DISC | SIZE | LIST PRICE |
|-----------|---------------|--------------------|--------------|-------------|------------|
| | 7018128 | RK 757/757DCDA CK1 | Red Silicone | 2 1/2" – 4" | \$283.00 |
| | 7018131 | RK 757/757DCDA CK1 | Red Silicone | 6" | 394.50 |
| | 7018134 | RK 757/757DCDA CK1 | Red Silicone | 8" | 652.00 |
| | 0899200 | RK 757/757DCDA CK1 | Red Silicone | 10" | 913.00 |

Kit consists of: first check module, check module O-ring and disc elastomer.

2nd Check Kits

| LEAD FREE | ORDERING CODE | KIT NO. | DISC | SIZE | LIST PRICE |
|-----------|---------------|--------------------|--------------|-------------|------------|
| | 7018130 | RK 757/757DCDA CK2 | Red Silicone | 2 1/2" – 4" | 246.00 |
| | 7018133 | RK 757/757DCDA CK2 | Red Silicone | 6" | 383.00 |
| | 0899206 | RK 757/757DCDA CK2 | Red Silicone | 8" | 652.00 |
| | 0899201 | RK 757/757DCDA CK2 | Red Silicone | 10" | 913.00 |

Kit consists of: second check module, check module O-ring and disc elastomer.

1st or 2nd Check Rubber Parts Kits

| LEAD FREE | ORDERING CODE | KIT NO. | DISC | SIZE | LIST PRICE |
|-----------|---------------|--------------------|--------------|-------------|------------|
| | 0899202 | RK 757/757DCDA RC4 | Red Silicone | 2 1/2" – 4" | 36.75 |
| | 0899203 | RK 757/757DCDA RC4 | Red Silicone | 6" | 47.00 |
| | 0899204 | RK 757/757DCDA RC4 | Red Silicone | 8" | 65.75 |
| | 0899205 | RK 757/757DCDA RC4 | Red Silicone | 10" | 147.00 |

Kit consists of: check module O-ring, disc elastomer and E-clip.

Check Sleeve Cover Kits

| LEAD FREE | ORDERING CODE | KIT NO. | DISC | SIZE | LIST PRICE |
|-----------|---------------|------------------|------|-------------|------------|
| | 0899211 | RK 757/757DCDA C | | 2 1/2" – 4" | 238.00 |
| | 0899212 | RK 757/757DCDA C | | 6" | 386.50 |
| | 0899213 | RK 757/757DCDA C | | 8" | 732.00 |
| | 0899214 | RK 757/757DCDA C | | 10" | 916.00 |

Kit consists of: closure sleeve, sleeve O-ring and gasket.

Repair Kits 757a, 757aDCDA – Sizes 2 1/2" – 6"

When ordering specify Ordering Code, Kit No., and Valve Size.

| ORDERING CODE | KIT NO. | DISC | SIZE | LIST PRICE |
|---------------|---------|------|------|------------|
|---------------|---------|------|------|------------|

1st Check Kits

| LEAD FREE | ORDERING CODE | KIT NO. | DISC | SIZE | LIST PRICE |
|-----------|---------------|----------------------|------|-------------|------------|
| | 0899250 | RK 757a/757aDCDA CK1 | EPDM | 2 1/2" – 4" | \$283.00 |
| | 0899251 | RK 757a/757aDCDA CK1 | EPDM | 6" | 394.50 |

Kit consists of: first check module, check module O-ring, disc elastomer.

2nd Check Kits

| LEAD FREE | ORDERING CODE | KIT NO. | DISC | SIZE | LIST PRICE |
|-----------|---------------|----------------------|------|-------------|------------|
| | 0899254 | RK 757a/757aDCDA CK2 | EPDM | 2 1/2" – 4" | 246.00 |
| | 0899255 | RK 757a/757aDCDA CK2 | EPDM | 6" | 383.00 |

Kit consists of: second check module, check module O-ring, disc elastomer.

1st or 2nd Check Rubber Parts Kits

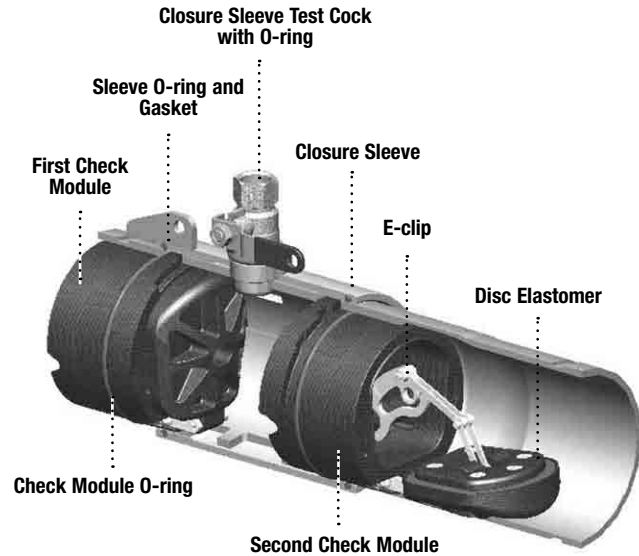
| LEAD FREE | ORDERING CODE | KIT NO. | DISC | SIZE | LIST PRICE |
|-----------|---------------|----------------------|------|-------------|------------|
| | 0899258 | RK 757a/757aDCDA RC4 | EPDM | 2 1/2" – 4" | 36.75 |
| | 0899259 | RK 757a/757aDCDA RC4 | EPDM | 6" | 47.00 |

Kit consists of: check module O-ring, disc elastomer and E-clip.

1st or 2nd Check Cover Kits

| LEAD FREE | ORDERING CODE | KIT NO. | DISC | SIZE | LIST PRICE |
|-----------|---------------|--------------------|------|-------------|------------|
| | 0899266 | RK 757a/757aDCDA C | | 2 1/2" – 4" | 238.00 |
| | 0899267 | RK 757a/757aDCDA C | | 6" | 334.00 |

Kit consists of: closure sleeve, 2 pieces of sleeve O-ring.



*The wetted surface of this product contacted by consumable water contains less than 0.25% of lead by weight.

Series 770, 770DCDA

Double Check Valve Assemblies Double Check Detector Assemblies

Sizes 4" – 8"

Repair Kits 770

When ordering specify Ordering Code, Kit No., and Valve Size.

| ORDERING CODE | KIT NO. | SIZE | LIST PRICE |
|---------------|---------|------|------------|
|---------------|---------|------|------------|

Check Repair Kits

| LEAD FREE* | ORDERING CODE | KIT NO. | SIZE | LIST PRICE |
|------------|---------------|------------|------|------------|
| | 0887070 | RK 770 CK4 | 4" | \$464.00 |
| | 0887071 | RK 770 CK4 | 6" | 857.00 |
| | 0887072 | RK 770 CK4 | 8" | 1,501.00 |

Kit consists of: spring assembly and cover O-ring.

Check Rubber Parts

| LEAD FREE* | ORDERING CODE | KIT NO. | SIZE | LIST PRICE |
|------------|---------------|------------|------|------------|
| | 0887091 | RK 770 RC4 | 4" | 638.00 |
| | 0887092 | RK 770 RC4 | 6" | 807.00 |
| | 0887093 | RK 770 RC4 | 8" | 1,030.00 |

Kit consists of: cover O-ring; bolt O-ring; disc - for one check.

Complete Repair Kits

| LEAD FREE* | ORDERING CODE | KIT NO. | SIZE | LIST PRICE |
|------------|---------------|----------|------|------------|
| | 0887079 | RK 770 T | 4" | 1,165.00 |
| | 0887080 | RK 770 T | 6" | 2,080.00 |
| | 0887081 | RK 770 T | 8" | 3,467.00 |

Kit consists of: 2 cover O-rings; 2 bolts O-ring; 2 disc; 2 spring assemblies - for both checks.

Seat Kits

| ORDERING CODE | KIT NO. | SIZE | LIST PRICE |
|---------------|----------|------|------------|
| 0887085 | RK 770 S | 4" | 118.50 |
| 0887086 | RK 770 S | 6" | 183.50 |
| 0887087 | RK 770 S | 8" | 233.00 |

Kit consists of: seat; seat O-ring for one check.

Repair Kits 770DCDA

When ordering specify Ordering Code, Kit No., and Valve Size.

| ORDERING CODE | KIT NO. | SIZE | LIST PRICE |
|---------------|---------|------|------------|
|---------------|---------|------|------------|

Check Repair Kits

| LEAD FREE* | ORDERING CODE | KIT NO. | SIZE | LIST PRICE |
|------------|---------------|----------------|------|------------|
| | 0887073 | RK 770DCDA CK1 | 4" | \$464.00 |
| | 0887075 | RK 770DCDA CK1 | 8" | 1,501.00 |
| | 0887076 | RK 770DCDA CK2 | 4" | 464.00 |
| | 0887077 | RK 770DCDA CK2 | 6" | 857.00 |
| | 0887078 | RK 770DCDA CK2 | 8" | 1,501.00 |

Kit consists of: spring assembly and cover O-ring.

Check Rubber Parts

| LEAD FREE* | ORDERING CODE | KIT NO. | SIZE | LIST PRICE |
|------------|---------------|----------------|------|------------|
| | 0887082 | RK 770DCDA RC4 | 4" | 638.00 |
| | 0887083 | RK 770DCDA RC4 | 6" | 807.00 |
| | 0887084 | RK 770DCDA RC4 | 8" | 1,030.00 |

Kit consists of: cover O-ring; bolt O-ring; disc - for one check.

Complete Repair Kit

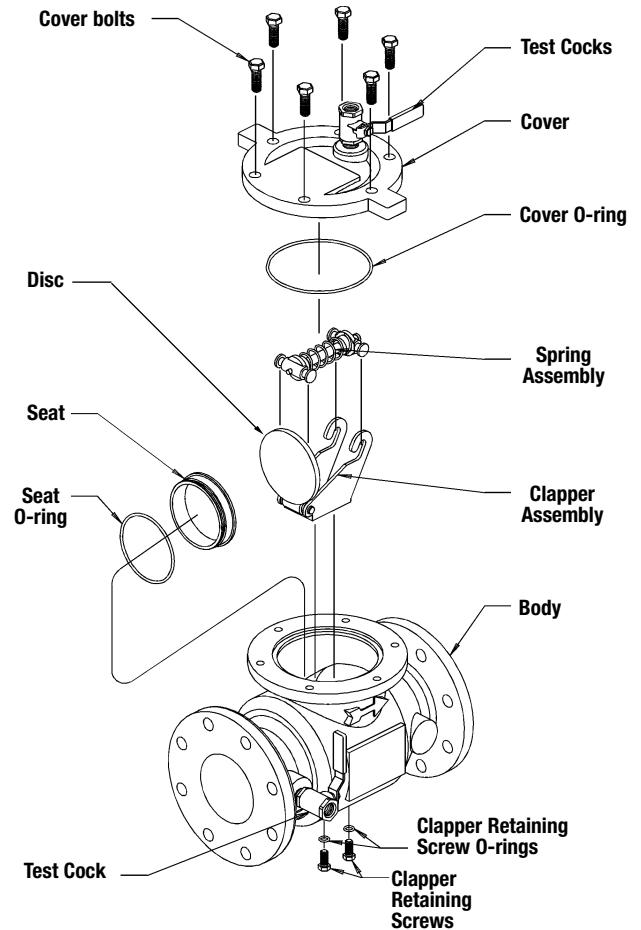
| LEAD FREE* | ORDERING CODE | KIT NO. | SIZE | LIST PRICE |
|------------|---------------|--------------|------|------------|
| | 0887088 | RK 770DCDA T | 4" | 1,165.00 |
| | 0887089 | RK 770DCDA T | 6" | 2,080.00 |
| | 0887090 | RK 770DCDA T | 8" | 3,467.00 |

Kit consists of: 2 cover O-ring; 2 bolts O-ring; 2 disc; 2 spring assemblies - for both checks.

Seat Kits

| ORDERING CODE | KIT NO. | SIZE | LIST PRICE |
|---------------|--------------|------|------------|
| 0887100 | RK 770DCDA S | 4" | 118.50 |
| 0887095 | RK 770DCDA S | 6" | 183.50 |
| 0887096 | RK 770DCDA S | 8" | 233.00 |

Kits consist of: seat; seat O-ring - for one check.



1
Single & Double Check Assemblies

*The wetted surface of this product contacted by consumable water contains less than 0.25% of lead by weight.

Series 772, 772DCDA

Double Check Valve Assemblies Double Check Detector Assemblies

Sizes 4" – 10"

Repair Kits 772

Series 772 utilizes 770 repair kits

When ordering specify Ordering Code, Kit No., and Valve Size.

| ORDERING CODE | KIT NO. | SIZE | LIST PRICE |
|------------------------------|------------|---------|------------|
| 1st or 2nd check kits | | | |
| 0887070 | RK 770 CK4 | 4" | \$464.00 |
| 0887071 | RK 770 CK4 | 6" – 8" | 857.00 |
| 0887072 | RK 770 CK4 | 10" | 1,501.00 |

Kit consists of: spring assembly and cover O-ring.

Check Rubber Parts

| ORDERING CODE | KIT NO. | SIZE | LIST PRICE |
|---------------|------------|---------|------------|
| 0887091 | RK 770 RC4 | 4" | 638.00 |
| 0887092 | RK 770 RC4 | 6" – 8" | 807.00 |
| 0887093 | RK 770 RC4 | 10" | 1,030.00 |

Kit consists of: cover O-ring; bolt O-ring; disc - for one check.

Complete Repair Kits

| ORDERING CODE | KIT NO. | SIZE | LIST PRICE |
|---------------|----------|---------|------------|
| 0887079 | RK 770 T | 4" | 1,165.00 |
| 0887080 | RK 770 T | 6" – 8" | 2,080.00 |
| 0887081 | RK 770 T | 10" | 3,467.00 |

Kit consists of: 2 cover O-rings; 2 discs; 2 spring assembly; 2 bolt O-ring - for both checks.

Seat Kits

| ORDERING CODE | KIT NO. | SIZE | LIST PRICE |
|---------------|----------|---------|------------|
| 0887085 | RK 770 S | 4" | 118.50 |
| 0887086 | RK 770 S | 6" – 8" | 183.50 |
| 0887087 | RK 770 S | 10" | 233.00 |

Kit consists of: seat; seat O-ring - for one check.

Repair Kits 772DCDA

Series 772 utilizes 770 repair kits

| ORDERING CODE | KIT NO. | SIZE | LIST PRICE |
|------------------------------|----------------|---------|------------|
| 1st or 2nd check kits | | | |
| 0887073 | RK 770DCDA CK1 | 4" | \$464.00 |
| 0887075 | RK 770DCDA CK1 | 10" | 1,501.00 |
| 0887076 | RK 770DCDA CK2 | 4" | 464.00 |
| 0887077 | RK 770DCDA CK2 | 6" – 8" | 857.00 |
| 0887078 | RK 770DCDA CK2 | 10" | 1,501.00 |

Kit consists of: spring assembly and cover O-ring.

Check Rubber Parts

| ORDERING CODE | KIT NO. | SIZE | LIST PRICE |
|---------------|-----------------|---------|------------|
| 0887082 | RK 770 DCDA RC4 | 4" | 638.00 |
| 0887083 | RK 770 DCDA RC4 | 6" – 8" | 807.00 |
| 0887084 | RK 770 DCDA RC4 | 10" | 1,030.00 |

Kit consists of: cover O-ring; bolt O-ring; disc - for one check.

Complete Repair Kits

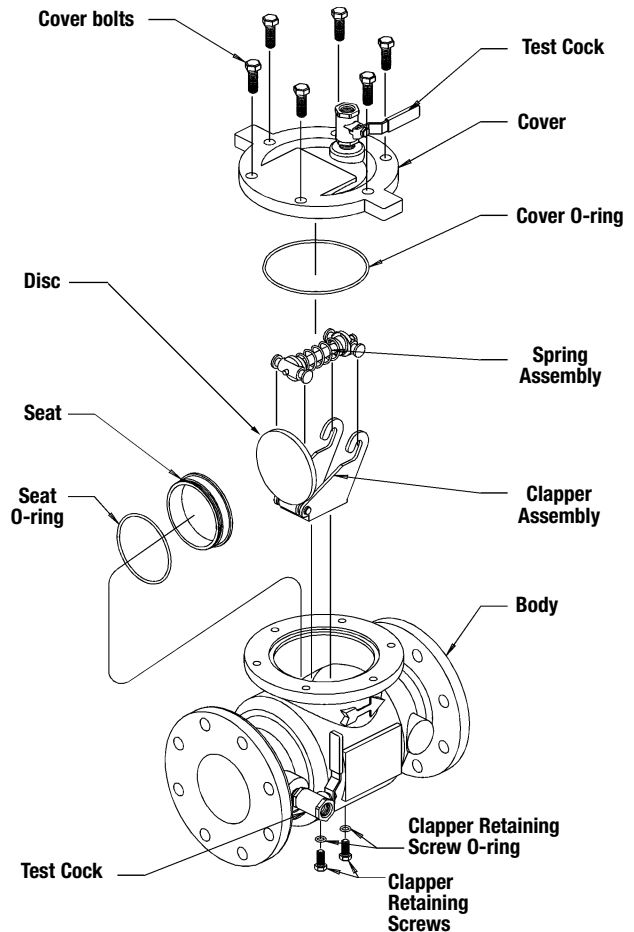
| ORDERING CODE | KIT NO. | SIZE | LIST PRICE |
|---------------|---------------|---------|------------|
| 0887088 | RK 770 DCDA T | 4" | 1,165.00 |
| 0887089 | RK 770 DCDA T | 6" – 8" | 2,080.00 |
| 0887090 | RK 770 DCDA T | 10" | 3,467.00 |

Kit consists of: 2 cover O-rings; 2 discs; 2 spring assembly; 2 bolt O-ring - for both checks.

Seat Kits

| ORDERING CODE | KIT NO. | SIZE | LIST PRICE |
|---------------|--------------|---------|------------|
| 0887100 | RK 770DCDA S | 4" | 118.50 |
| 0887095 | RK 770DCDA S | 6" – 8" | 183.50 |
| 0887096 | RK 770DCDA S | 10" | 233.00 |

Kit consists of: seat; seat O-ring - for one check.



*The wetted surface of this product contacted by consumable water contains less than 0.25% of lead by weight.

Series 773, 773DCDA

Double Check Valve Assemblies Double Check Detector Assemblies

Size 6"

Repair Kits 773

When ordering specify Ordering Code, Kit No., and Valve Size.

| ORDERING CODE | KIT NO. | SIZE | LIST PRICE |
|---------------|---------|------|------------|
|---------------|---------|------|------------|

First or Second Check Kit

| | | | |
|---------|------------|----|------------|
| 0888428 | RK 773 CK4 | 6" | \$1,084.00 |
|---------|------------|----|------------|

Kit consists of: disc & spring assembly and cover O-ring.

First or Second Check Rubber Parts Kit

| | | | |
|--------------------------|------------|----|--------|
| LEAD FREE 0888429 | RK 773 RC4 | 6" | 108.00 |
|--------------------------|------------|----|--------|

Kit consists of: disc; seat O-ring and cover O-ring.

Seat Kit for Check

| | | | |
|---------|----------|----|--------|
| 0888430 | RK 773 S | 6" | 389.00 |
|---------|----------|----|--------|

Kit consists of: seat; seat O-ring; cover O-ring and retainer wire.

Cover Kit

| | | | |
|--------------------------|----------|----|--------|
| LEAD FREE 0888431 | RK 773 C | 6" | 385.00 |
|--------------------------|----------|----|--------|

Kit consists of: cover and cover O-ring.

Repair Kits 773DCDA

When ordering specify Ordering Code, Kit No., and Valve Size.

| ORDERING CODE | KIT NO. | SIZE | LIST PRICE |
|---------------|---------|------|------------|
|---------------|---------|------|------------|

First Check Kit

| | | | |
|---------|----------------|----|------------|
| 0888432 | RK 773DCDA CK1 | 6" | \$1,239.00 |
|---------|----------------|----|------------|

Second Check Kit

| | | | |
|---------|----------------|----|----------|
| 0888433 | RK 773DCDA CK2 | 6" | 1,084.00 |
|---------|----------------|----|----------|

Kit consists of: disc & spring assembly and cover O-ring.

First or second check Rubber Parts Kit

| | | | |
|--------------------------|----------------|----|--------|
| LEAD FREE 0888434 | RK 773DCDA RC4 | 6" | 108.00 |
|--------------------------|----------------|----|--------|

Kit consists of: disc; seat O-ring and cover O-ring.

Seat Kit for Check

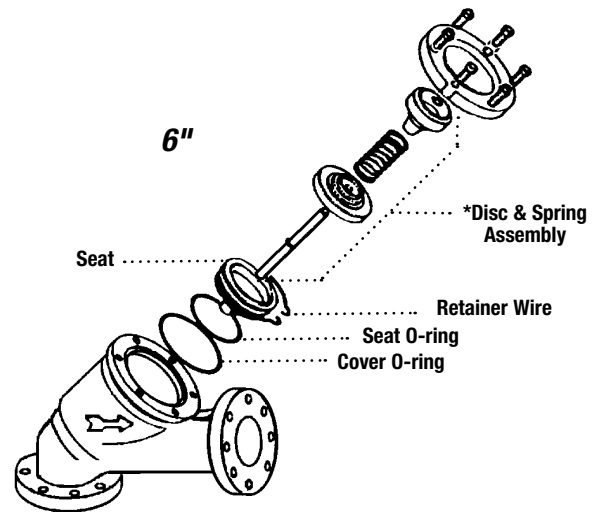
| | | | |
|---------|--------------|----|--------|
| 0888435 | RK 773DCDA S | 6" | 389.00 |
|---------|--------------|----|--------|

Kit consists of: seat; seat O-ring; cover O-ring and retainer wire.

Cover Kit

| | | | |
|--------------------------|--------------|----|--------|
| LEAD FREE 0888436 | RK 773DCDA C | 6" | 385.00 |
|--------------------------|--------------|----|--------|

Kit consists of: cover and cover O-ring.



⚠ WARNING

Spring assembly is factory assembled. DO NOT DISASSEMBLE.

No special tools required to service Series 773

Series 774, 774DCDA, 774X, 774XDCDA

Double Check Valve Assemblies Double Check Detector Assemblies

Sizes 2 1/2" – 12"

Repair Kits

When ordering specify Ordering Code, Kit No., and Valve Size.

| ORDERING CODE | KIT NO. | SIZE | FOR USE WITH MODEL #S | LIST PRICE |
|---------------|---------|------|-----------------------|------------|
|---------------|---------|------|-----------------------|------------|

First Check Kit

| | | | | | |
|-----------|---------|---------------------|----------------|--|----------|
| LEAD FREE | 0888820 | RK 774/774DCDA CK 1 | 2 1/2", 3", 4" | 2 1/2"-4" 774/774DCDA/6" 774X/774XDCDA | \$269.50 |
| | 0888821 | RK 774/774DCDA CK 1 | 6" | 6" 774/774DCDA/8" 774X/774XDCDA | 287.00 |
| | 0888827 | RK 774/774DCDA CK4 | 8" – 12" | 774/774DCDA | 828.00 |

Kit consists of: complete #1 cam check with check O-ring.

Second Check Kit

| | | | | | |
|-----------|---------|---------------------|----------------|--|--------|
| LEAD FREE | 0888822 | RK 774/774DCDA CK 2 | 2 1/2", 3", 4" | 2 1/2"-4" 774/774DCDA/6" 774X/774XDCDA | 269.50 |
| | 0888823 | RK 774/774DCDA CK 2 | 6" | 6" 774/774DCDA/8" 774X/774XDCDA | 287.00 |
| | 0888827 | RK 774/774DCDA CK4 | 8" – 12" | 774/774DCDA | 828.00 |

Kit consists of: complete #2 cam check with check O-ring.

Cover Kit

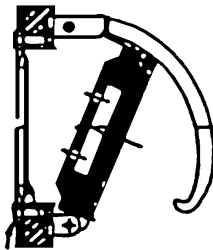
| | | | | | |
|-----------|---------|--------------------|----------------|---------------------------------|--------|
| LEAD FREE | 0888824 | RK 774/774DCDA C | 2 1/2", 3", 4" | 2 1/2"-4" 774/774DCDA | 308.00 |
| | 0888825 | RK 774/774DCDA C | 6" | 6" 774/774DCDA/8" 774X/774XDCDA | 458.50 |
| | 0888826 | RK 774X/774XDCDA C | 6" | 6" 774X/774XDCDA | 353.00 |
| | 0888828 | RK 774/774DCDA C | 8" – 12" | 774/774DCDA | 588.00 |

Kit consists of: cover; grooved coupler & gasket.

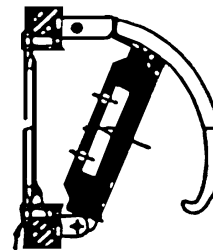
For 6" 774X 1st & 2nd check, use RK 774 CK1 & CK2 4"
For 8" 774X 1st & 2nd check, use RK 774 CK1 & CK2 6"
For 8" 774X cover kit, use RK 774 C 6"

For 6" 774XDCDA 1st & 2nd check, use RK 774DCDA CK1 & CK2 4"
For 8" 774XDCDA 1st & 2nd check, use RK 774DCDA CK1 & CK2 6"
For 8" 774XDCDA cover kit, use RK 774DCDA C 6"

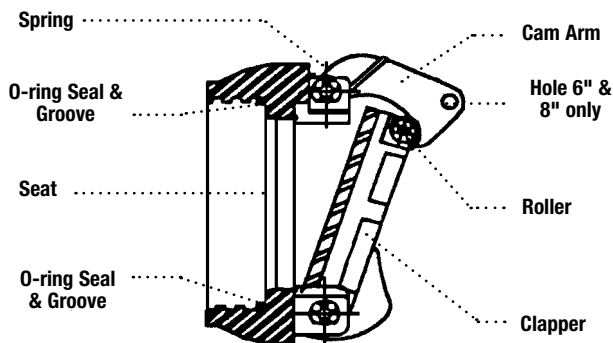
First Check 8" – 12"



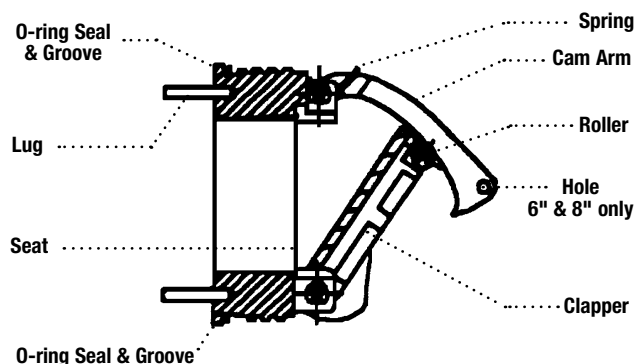
Second Check 8" – 12"



First Check 2 1/2" – 6"



Second Check 2 1/2" – 6"



*The wetted surface of this product contacted by consumable water contains less than 0.25% of lead by weight.

Series 775

Double Check Valve Assemblies

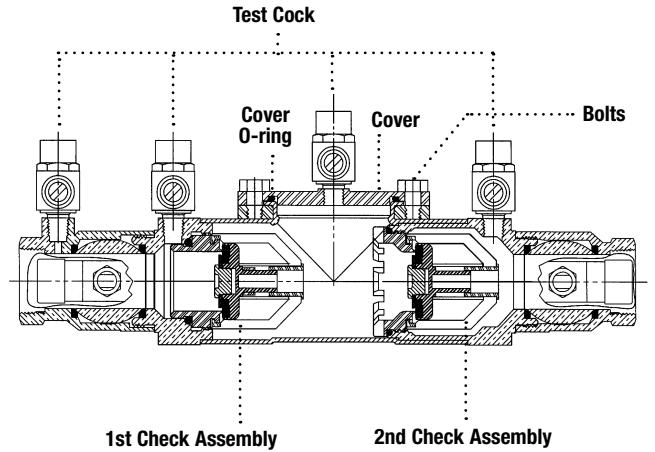
Sizes 1/2" – 2"

Repair Kits

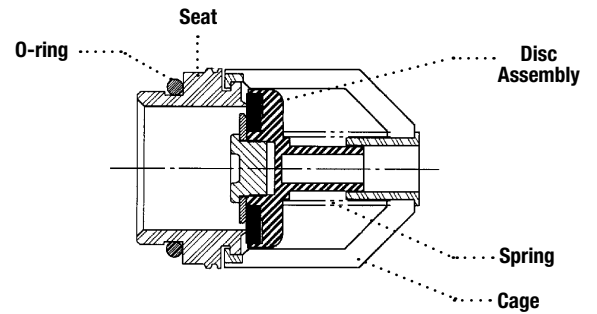
When ordering specify Ordering Code, Kit No., and Valve Size.

| | ORDERING CODE | KIT NO. | SIZE | LIST PRICE |
|---|---------------|------------|-----------------|------------|
| 1st Check Kits | | | | |
| LEAD FREE | 0888560 | RK 775 CK1 | 1/2" – 3/4" | \$27.00 |
| | 0888561 | RK 775 CK1 | 1" | 55.50 |
| Kit consists of: disc assembly; seat; seat O-ring; spring; cage and cover O-ring. | | | | |
| 2nd Check Kits | | | | |
| LEAD FREE | 0888564 | RK 775 CK2 | 1/2" – 3/4" | 27.00 |
| | 0888565 | RK 775 CK2 | 1" | 55.50 |
| Kit consists of: disc assembly; seat; seat O-ring; spring; cage and cover O-ring. | | | | |
| Rubber Parts Kits | | | | |
| LEAD FREE | 0888568 | RK 775 RT | 1/2" – 3/4" | 23.25 |
| | 0888569 | RK 775 RT | 1" | 23.25 |
| | 0888570 | RK 775 RT | 1 1/4" – 1 1/2" | 32.50 |
| | 0888571 | RK 775 RT | 2" | 32.50 |
| Kit consists of: 2 disc assemblies; 2 seat O-rings and cover O-ring. | | | | |
| Cover Kits | | | | |
| LEAD FREE | 0888572 | RK 775C | 1/2" – 3/4" | 63.75 |
| | 0888573 | RK 775C | 1" | 92.00 |

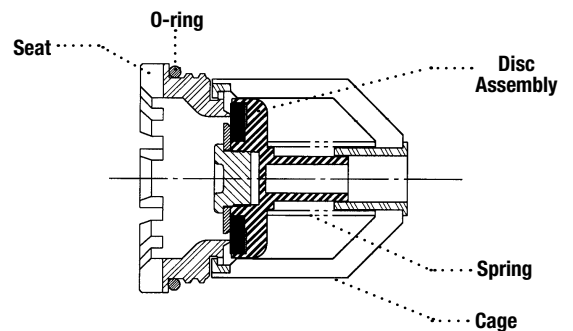
Kit consists of: cover and cover O-ring.



1st Check



2nd Check



*The wetted surface of this product contacted by consumable water contains less than 0.25% of lead by weight.

Series 775, 775DCDA

Double Check Valve Assemblies Double Check Detector Assemblies

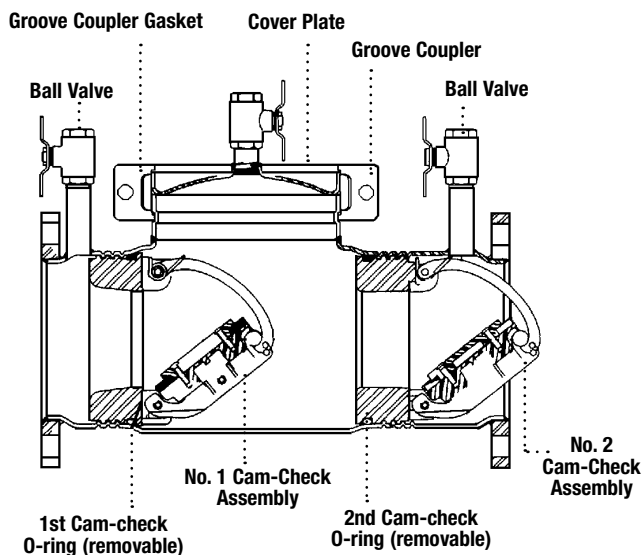
Sizes 3" – 8"

Repair Kits

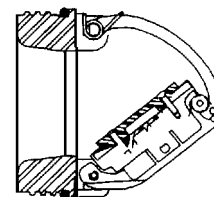
When ordering specify Ordering Code, Kit No., and Valve Size.

1 Single & Double Check Assemblies

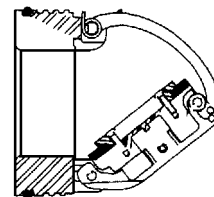
| | ORDERING CODE | KIT NO. | SIZE | FOR USE WITH MODEL #S | LIST PRICE |
|---|---------------|---------------------|---------|-----------------------------------|------------|
| First Check Kit | | | | | |
| LEAD FREE | 0888900 | RK 775/775DCDA CK 1 | 3" – 4" | 3" – 4" 775/775DCDA/N775/N775DCDA | \$398.50 |
| | 0888901 | RK 775/775DCDA CK 1 | 6" – 8" | 6" – 8" 775/775DCDA/N775/N775DCDA | 552.00 |
| Kit consists of: complete No. 1 check assembly with check O-ring. | | | | | |
| Second Check Kit | | | | | |
| LEAD FREE | 0888902 | RK 775/775DCDA CK 2 | 3" – 4" | 3" – 4" 775/775DCDA/N775/N775DCDA | 521.00 |
| | 0888903 | RK 775/775DCDA CK 2 | 6" – 8" | 6" – 8" 775/775DCDA/N775/N775DCDA | 701.50 |
| Kit consists of: complete No. 2 check assembly with check O-ring. | | | | | |
| Cover Kit | | | | | |
| LEAD FREE | 0888904 | RK 775/775DCDA C | 3" – 4" | 3" – 4" 775/775DCDA/N775/N775DCDA | 245.50 |
| | 0888905 | RK 775/775DCDA C | 6" – 8" | 6" – 8" 775/775DCDA/N775/N775DCDA | 460.00 |
| Kit consists of: cover; grooved coupler & gasket. | | | | | |
| First Check Rubber Parts Kit | | | | | |
| LEAD FREE | 0888906 | RK 775/775DCDA RC1 | 3" – 4" | 3" – 4" 775/775DCDA/N775/N775DCDA | 18.75 |
| | 0888907 | RK 775/775DCDA RC1 | 6" – 8" | 6" – 8" 775/775DCDA/N775/N775DCDA | 26.50 |
| Kit consists of: first check assembly O-ring and check disc. | | | | | |
| Second Check Rubber Parts Kit | | | | | |
| LEAD FREE | 0888908 | RK 775/775DCDA RC2 | 3" – 4" | 3" – 4" 775/775DCDA/N775/N775DCDA | 28.75 |
| | 0888909 | RK 775/775DCDA RC2 | 6" – 8" | 6" – 8" 775/775DCDA/N775/N775DCDA | 42.00 |
| Kit consists of: second check assembly O-ring and check disc. | | | | | |
| Rubber Total Parts Kit | | | | | |
| LEAD FREE | 0888910 | RK 775/775DCDA RT | 3" – 4" | 3" – 4" 775/775DCDA/N775/N775DCDA | 42.25 |
| | 0888911 | RK 775/775DCDA RT | 6" – 8" | 6" – 8" 775/775DCDA/N775/N775DCDA | 47.50 |
| Kit consists of: first and second check assembly O-ring; and first and second check disc. | | | | | |



No. 1 Check Assembly



No. 2 Check Assembly



*The wetted surface of this product contacted by consumable water contains less than 0.25% of lead by weight.

Troubleshooting Guide

Double Check Valve Assemblies, Double Check Detector Assemblies

| PROBLEM | CAUSE | Should valve be replaced? | SOLUTION |
|--|--|---------------------------|---|
| A. Double check valve fails to hold 1.0 PSID minimum. | | | |
| | A-1 Debris on check disc sealing surface. | No | Check valve must be disassembled and cleaned |
| | A-2 Leaking gate valve | No | Gate valve must be disassembled and cleaned |
| | A-3 Damaged seat disc or seat O-ring | No | Disassemble damage check and replace |
| | A-4 Damaged guide holding check open | No | Disassemble and clean or replace if necessary |
| | A-5 Weak or broken spring | No | Check valve must be disassembled and spring replaced |
| B Chatter during flow conditions | | | |
| | B-1 Worn, damaged or defective guide | No | Disassemble and repair or replace guide |
| C. Low flows passing through mainline valve (DCDA only) | | | |
| | C-1 Check(s) on mainline are fouled | No | Mainline check(s) must be disassembled and cleaned |
| | C-2 Meter strainer on bypass line is plugged | No | Strainer must be disassembled and cleaned |
| | C-3 Mainline seat disc or seat is damage | No | Disassemble damage seat disc or seat and replace |
| | C-4 Broken mainline spring | No | Mainline check must be disassembled and spring replaced |

Series 009, LF009

Reduced Pressure Zone Assemblies

Sizes 1/4" - 1"

Repair Kits

When ordering specify Ordering Code, Kit No., and Valve Size.

| ORDERING CODE | KIT NO. | SIZE | LIST PRICE |
|---------------|---------|------|------------|
|---------------|---------|------|------------|

Total Repair Kits

| ORDERING CODE | KIT NO. | SIZE | LIST PRICE |
|---------------|------------|-------------|------------|
| 0887298 | RK 009-T | 1/4" - 1/2" | \$123.00 |
| 0888527 | RK 009M3-T | 3/4" | 126.50 |
| 0887302 | RK 009M2-T | 3/4" | 126.50 |
| 0887283 | RK 009-T | 3/4" - 1" | 204.00 |
| 0887793 | RK 009M2-T | 1" | 196.50 |

Kit consists of: relief valve repair kit, first check repair kit, second check repair kit, retainer (if plastic)

Relief Valve Kits

Total Relief Valve Kits

| ORDERING CODE | KIT NO. | SIZE | LIST PRICE |
|---------------|------------------|-------------|------------|
| 0887294 | RK 009 VT | 1/4" - 1/2" | \$88.75 |
| 0887509 | RK SS009 VT | 1/2" | 90.25 |
| 0887002 | RK 009M2 VT | 3/4" | 111.00 |
| 0887520 | RK SS009M2/M3 VT | 1/4" - 3/4" | 113.50 |
| 0888524 | RK 009M3 VT | 3/4" | 111.00 |
| 0887015 | RK 009 VT | 3/4" - 1" | 158.00 |
| 0887503 | RK SS009VT | 1" | 155.00 |
| 0887785 | RK 009M2 VT | 1" | 152.00 |

Kit consists of: seat, seat O-ring, stem & diaphragm assembly, stem O-ring, cover O-ring and RV spring.

Relief Valve Rubber Parts Kits

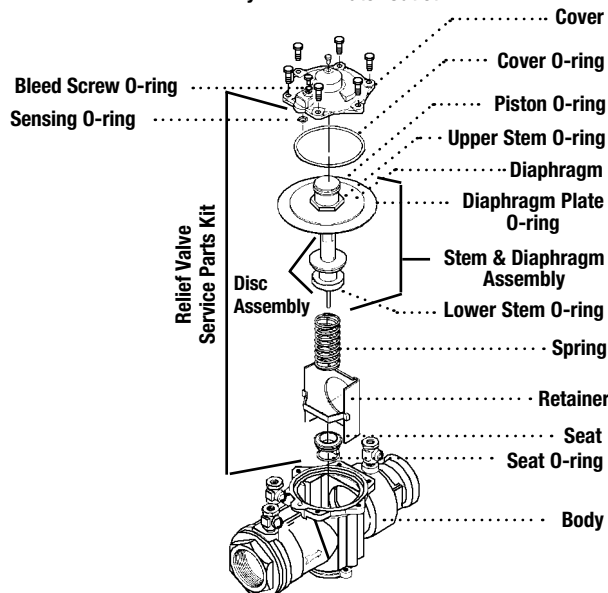
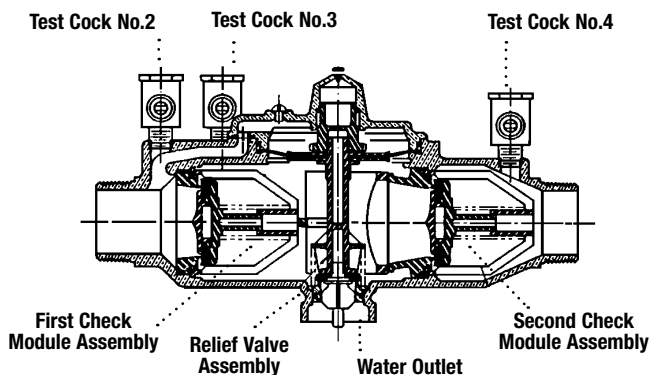
| ORDERING CODE | KIT NO. | SIZE | LIST PRICE |
|---------------|------------------|-------------|------------|
| 0887295 | RK 009 RV | 1/4" - 1/2" | 38.00 |
| 0887510 | RK SS009 RV | 1/2" | 39.00 |
| 0886998 | RK 009M2 RV | 3/4" | 43.00 |
| 0887519 | RK SS009M2/M3 RV | 1/4" - 3/4" | 46.00 |
| 0888523 | RK 009M3 RV | 3/4" | 43.00 |
| 0887181 | RK 009 RV | 3/4" - 1" | 44.50 |
| 0887529 | RK SS009 RV | 3/4" - 1" | 46.00 |
| 0887786 | RK 009M2 RV | 1" | 43.00 |

Kit consists of: diaphragm, disc assembly, stem O-rings, seat O-ring and cover O-ring.

Total Rubber Parts Kits

| ORDERING CODE | KIT NO. | SIZE | LIST PRICE |
|---------------|---------------|-------------|------------|
| 0887297 | RK 009 RT | 1/4" - 1/2" | 60.25 |
| 0887511 | RK SS009 RT | 1/2" | 61.50 |
| 0886999 | RK 009M2 RT | 3/4" | 64.25 |
| 0887521 | RK SS009M2 RT | 1/4" - 3/4" | 69.00 |
| 0888597 | RK SS009M3 RT | 1/4" - 3/4" | 69.00 |
| 0888526 | RK 009M3 RT | 3/4" | 66.75 |
| 0887182 | RK 009 RT | 3/4" - 1" | 66.75 |
| 0887530 | RK SS009 RT | 1" | 69.00 |
| 0887787 | RK 009M2 RT | 1" | 64.25 |

Kit consists of: diaphragm, two disc assemblies, stem O-rings, cover O-ring, two seat O-rings and RV seat O-ring.



| ORDERING CODE | KIT NO. | SIZE | LIST PRICE |
|---------------|---------|------|------------|
|---------------|---------|------|------------|

Cover Kits

| ORDERING CODE | KIT NO. | SIZE | LIST PRICE |
|---------------|-----------------|-------------|------------|
| 0794044 | LFRK 009 C | 1/4" - 1/2" | \$56.75 |
| 0887500 | RK SS009 C | 1/2" | 160.00 |
| 0887013 | RK 009 C | 3/4" - 1" | 90.25 |
| 0887501 | RK SS009M2/M3 C | 1/4" - 3/4" | 178.00 |
| 0794045 | LFRK 009M2/M3 C | 3/4" | 63.00 |
| 0887502 | RK SS009 C | 1" | 258.50 |
| 0794046 | LFRK 009M2 C | 1" | 100.00 |

Kit consists of: cover and cover O-ring.

*The wetted surface of this product contacted by consumable water contains less than 0.25% of lead by weight.

Series 009, LF009

Reduced Pressure Zone Assemblies

Sizes 1 1/4" – 2"

Repair Kits

When ordering specify Ordering Code, Kit No., and Valve Size.

| ORDERING CODE | KIT NO. | SIZE | LIST PRICE |
|---------------|---------|------|------------|
|---------------|---------|------|------------|

Total Repair Kits

| | | | | |
|-----------|---------|------------|----------------|----------|
| LEAD FREE | 0887794 | RK 009M2-T | 1 1/4"– 1 1/2" | \$314.00 |
| | 0887284 | RK 009-T | 1 1/4"– 2" | 401.00 |
| | 0887269 | RK 009M1-T | 1 1/4"– 2" | 389.00 |
| LEAD FREE | 0887795 | RK 009M2-T | 2" | 381.50 |

Kit consists of: relief valve repair kit, first check repair kit, second check repair kit, retainer (if plastic)

Relief Valve Kits

Relief Valve Total Kits

| | | | | |
|-----------|---------|-------------|----------------|-----------|
| LEAD FREE | 0887307 | RK 009M2 VT | 1 1/4"– 1 1/2" | \$ 206.50 |
| | 0887277 | RK 009M1 VT | 1 1/4"– 2" | 292.50 |
| | 0887016 | RK 009 VT | 1 1/4"– 2" | 304.50 |
| LEAD FREE | 0887545 | RK 009M2 VT | 2" | 287.00 |

Kit consists of: RV assembly, seat, seat O-ring, cover O-ring, sensing passage O-ring and upper stem O-ring and RV spring.

Relief Valve Rubber Parts Kits

| | | | | |
|-----------|---------|-------------|----------------|-------|
| LEAD FREE | 0887306 | RK 009M2 RV | 1 1/4"– 1 1/2" | 50.25 |
| | 0887276 | RK 009M1 RV | 1 1/4"– 2" | 52.50 |
| | 0887184 | RK 009 RV | 1 1/4"– 2" | 56.75 |
| LEAD FREE | 0887544 | RK 009M2 RV | 2" | 51.50 |

Kit consists of: diaphragm, seat O-ring, cover O-ring and sensing passage O-ring.

Complete Rubber Parts Kits

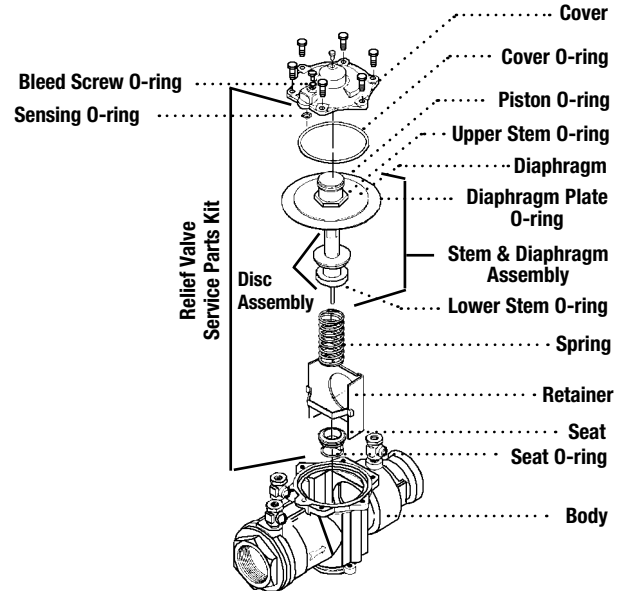
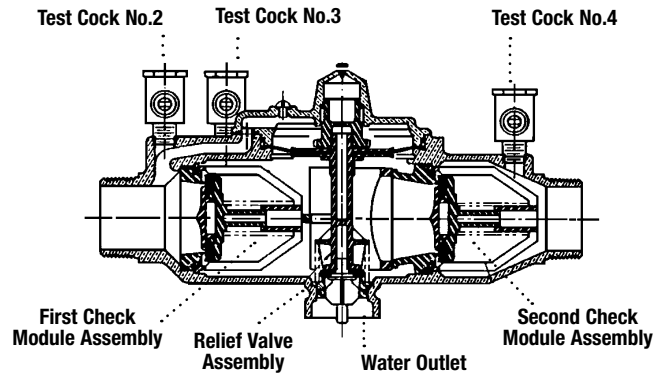
| | | | | |
|-----------|---------|-------------|----------------|--------|
| LEAD FREE | 0887309 | RK 009M2 RT | 1 1/4"– 1 1/2" | 99.25 |
| | 0887185 | RK 009 RT | 1 1/4"– 2" | 139.50 |
| | 0887280 | RK 009M1 RT | 1 1/4"– 2" | 107.50 |
| LEAD FREE | 0887547 | RK 009M2 RT | 2" | 100.50 |

Kit consists of: two check assembly O-rings, two disc assemblies, one cover O-ring, one RV diaphragm, one RV seat O-ring, one sensing passage O-ring, one diaphragm plate O-ring, one RV lower stem O-ring, one RV upper stem O-ring, one RV disc assembly and one bleed screw O-ring.

Cover Kits

| | | | | |
|-----------|---------|--------------|----------------|--------|
| LEAD FREE | 0794047 | LFRK 009M2 C | 1 1/4"– 1 1/2" | 128.00 |
| | 0794048 | LFRK 009M2 C | 2" 009M2, | 144.50 |
| | | | 1 1/4"– 2" | |
| | | 009/009M1 | | |

Kit consists of: cover, cover O-ring sensing passage O-ring, bleed screw O-ring, vent hood and bleed screw.



2

Reduced Pressure Zone Assemblies

*The wetted surface of this product contacted by consumable water contains less than 0.25% of lead by weight.

Series 009, LF009

Reduced Pressure Zone Assemblies

Sizes 1/4" – 2"

Check valve kits

When ordering specify Ordering Code, Kit No., and Valve Size.

1/4" – 1"

| ORDERING CODE | KIT NO. | SIZE | LIST PRICE |
|---------------|---------|------|------------|
|---------------|---------|------|------------|

First Check Kits

| | | | |
|---------|----------------|-------------|---------|
| 0887291 | RK 009 CK1 | 1/4" – 1/2" | \$38.00 |
| 0887505 | RK SS009 CK1 | 1/2" – 3/4" | 39.00 |
| 0887000 | RK 009M2 CK1 | 3/4" | 31.75 |
| 0887515 | RK SS009M3 CK1 | 1/4" – 3/4" | 32.25 |
| 0888520 | RK 009M3 CK1 | 3/4" | 31.75 |
| 0887005 | RK 009 CK1 | 3/4" – 1" | 60.00 |
| 0887009 | RK 009 CK1SS | 3/4" – 1" | 222.00 |
| 0887525 | RK SS009 CK1 | 1" | 58.75 |
| 0887789 | RK 009 M2 CK1 | 1" | 57.75 |

Kit consists of: check assembly and cover O-ring.

Second Check Kits

| | | | |
|---------|----------------|-------------|--------|
| 0887292 | RK 009 CK2 | 1/4" – 1/2" | 37.00 |
| 0887506 | RK SS009 CK2 | 1/2" – 3/4" | 37.75 |
| 0887001 | RK 009M2 CK2 | 3/4" | 26.00 |
| 0887516 | RK SS009M3 CK2 | 1/4" – 3/4" | 26.50 |
| 0888521 | RK 009M3 CK2 | 3/4" | 26.00 |
| 0887007 | RK 009 CK2 | 3/4" – 1" | 54.50 |
| 0887011 | RK 009 CK2SS | 3/4" – 1" | 191.00 |
| 0887526 | RK SS009 CK2 | 1" | 53.50 |
| 0887790 | RK 009M2 CK2 | 1" | 52.50 |

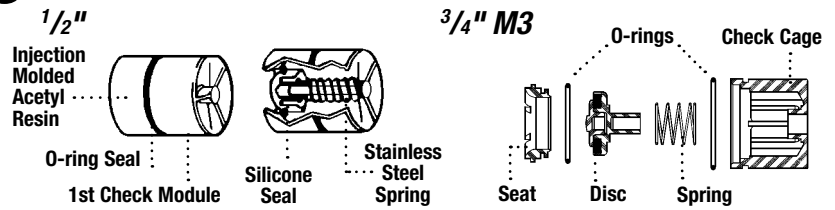
Kit consists of: check assembly and cover O-ring.

Check Rubber Parts

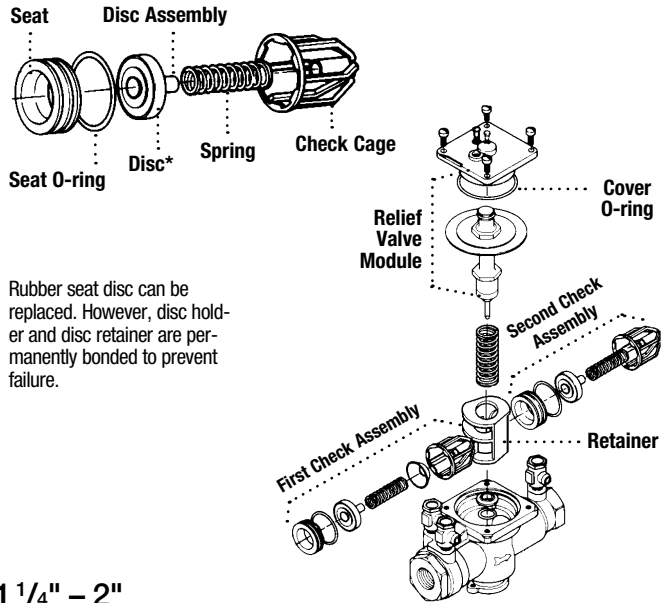
| | | | |
|---------|----------------|-------------|-------|
| 0887293 | RK 009 RC3 | 1/4" – 1/2" | 22.50 |
| 0887507 | RK SS009 RC1 | 1/2" – 3/4" | 23.00 |
| 0887508 | RK SS009 RC2 | 1/2" – 3/4" | 23.00 |
| 0887003 | RK 009M2 RC3 | 3/4" | 21.50 |
| 0888595 | RK SS009M3 RC1 | 1/4" – 3/4" | 23.00 |
| 0888596 | RK SS009M3 RC2 | 1/4" – 3/4" | 23.00 |
| 0888522 | RK 009M3 RC3 | 3/4" | 21.50 |
| 0887017 | RK 009 RC1 | 3/4" – 1" | 11.25 |
| 0887180 | RK 009 RC2 | 3/4" – 1" | 11.25 |
| 0887527 | RK SS009 RC1 | 1" | 11.50 |
| 0887528 | RK SS009 RC2 | 1" | 11.50 |
| 0887791 | RK 009M2 RC1 | 1" | 11.00 |
| 0887792 | RK 009M2 RC2 | 1" | 11.00 |

Kit consists of: disc, cover O-ring and seat O-ring.

CHECK ASSEMBLIES



1" – 2"



Rubber seat disc can be replaced. However, disc holder and disc retainer are permanently bonded to prevent failure.

1 1/4" – 2"

| ORDERING CODE | KIT NO. | SIZE | LIST PRICE |
|---------------|---------|------|------------|
|---------------|---------|------|------------|

First Check Kits

| | | | |
|---------|----------------|-----------------|----------|
| 0887300 | RK 009M2 CK1 | 1 1/4" – 1 1/2" | \$110.00 |
| 0887270 | RK 009M1 CK1 | 1 1/4" – 2" | 120.00 |
| 0887006 | RK 009 CK1 | 1 1/4" – 2" | 122.00 |
| 0887010 | RK 009 CK1SS | 1 1/4" – 2" | 317.00 |
| 0887272 | RK 009M1 CK1SS | 1 1/4" – 2" | 304.50 |
| 0887540 | RK 009M2 CK1 | 2" | 117.50 |

Kit consists of: first check assembly, cover O-ring and sensing passage O-ring.

Second Check Kits

| | | | |
|---------|----------------|-----------------|--------|
| 0887301 | RK 009M2 CK2 | 1 1/4" – 1 1/2" | 102.50 |
| 0887271 | RK 009M1 CK2 | 1 1/4" – 2" | 106.50 |
| 0887008 | RK 009 CK2 | 1 1/4" – 2" | 108.50 |
| 0887012 | RK 009 CK2SS | 1 1/4" – 2" | 273.50 |
| 0887273 | RK 009M1 CK2SS | 1 1/4" – 2" | 263.00 |
| 0887541 | RK 009M2 CK2 | 2" | 104.50 |

Kit consists of: second check assembly, cover O-ring and sensing passage O-ring.

First Check Rubber Parts Kits

| | | | |
|---------|--------------|-----------------|-------|
| 0887304 | RK 009M2 RC1 | 1 1/4" – 1 1/2" | 23.25 |
| 0887274 | RK 009M1 RC1 | 1 1/4" – 2" | 27.75 |
| 0887018 | RK 009 RC1 | 1 1/4" – 2" | 41.00 |
| 0887542 | RK 009M2 RC1 | 2" | 24.50 |

Kit consists of: first check assembly O-ring, disc holder assembly, cover O-ring and sensing passage O-ring.

Second Check Rubber Parts Kits

| | | | |
|---------|--------------|-----------------|-------|
| 0887305 | RK 009M2 RC2 | 1 1/4" – 1 1/2" | 23.25 |
| 0887275 | RK 009M1 RC2 | 1 1/4" – 2" | 27.75 |
| 0887183 | RK 009 RC2 | 1 1/4" – 2" | 41.25 |
| 0887543 | RK 009M2 RC2 | 2" | 24.50 |

Kit consists of: second check assembly O-ring, disc holder assembly, cover O-ring and sensing passage O-ring.

*The wetted surface of this product contacted by consumable water contains less than 0.25% of lead by weight.

2

Reduced Pressure Zone Assemblies

LEAD FREE*

LEAD FREE*

LEAD FREE*

LEAD FREE*

LEAD FREE*

LEAD FREE*

LEAD FREE*

LEAD FREE*

LEAD FREE*

LEAD FREE*

LEAD FREE*

LEAD FREE*

Series 009, LF009

Reduced Pressure Zone Assemblies

Sizes 2 1/2" – 3"

Repair Kits

When ordering specify Ordering Code, Kit No., and Valve Size.

| ORDERING CODE | KIT NO. | SIZE | LIST PRICE |
|---------------|---------|------|------------|
|---------------|---------|------|------------|

Total Repair Kits»

| | | | | |
|-----------|---------|------------|-------------|------------|
| LEAD FREE | 0794051 | LFRK 009-T | 2 1/2" – 3" | \$1,240.00 |
|-----------|---------|------------|-------------|------------|

Kit consists of: relief valve repair kit, first check repair kit, second check repair kit, retainer (if plastic)

Relief Valve Kits

Total Relief Valve Kit»

| | | | | |
|-----------|---------|-------------|-------------|--------|
| LEAD FREE | 0794052 | LFRK 009 VT | 2 1/2" – 3" | 675.00 |
|-----------|---------|-------------|-------------|--------|

Kit consists of: seat, stem assembly, spring, two piston O-rings, flow tube O-ring and cover O-ring.

Relief Valve Rubber Parts»

| | | | | |
|-----------|---------|-------------|-------------|--------|
| LEAD FREE | 0794053 | LFRK 009 RV | 2 1/2" – 3" | 121.50 |
|-----------|---------|-------------|-------------|--------|

Kit consists of: diaphragm, disc, molded disc assembly, piston O-ring, stem O-ring and cover O-ring.

Stem O-ring located between stem and piston O-ring.

Check valve kits

When ordering specify Ordering Code, Kit No., and Valve Size.

| ORDERING CODE | KIT NO. | SIZE | LIST PRICE |
|---------------|---------|------|------------|
|---------------|---------|------|------------|

First Check Parts Kit»

| | | | | |
|-----------|---------|--------------|-------------|----------|
| LEAD FREE | 0794054 | LFRK 009 CK1 | 2 1/2" – 3" | \$496.50 |
|-----------|---------|--------------|-------------|----------|

Second Check Parts Kit»

| | | | | |
|-----------|---------|--------------|-------------|--------|
| LEAD FREE | 0794055 | LFRK 009 CK2 | 2 1/2" – 3" | 481.50 |
|-----------|---------|--------------|-------------|--------|

Kit consists of: check assembly, cover O-ring and flow tube O-ring.

First Check Rubber Parts Kit

| | | | | |
|-----------|---------|------------|-------------|-------|
| LEAD FREE | 0887281 | RK 009 RC1 | 2 1/2" – 3" | 59.00 |
|-----------|---------|------------|-------------|-------|

Second Check Rubber Parts Kit

| | | | | |
|-----------|---------|------------|-------------|-------|
| LEAD FREE | 0887205 | RK 009 RC2 | 2 1/2" – 3" | 53.50 |
|-----------|---------|------------|-------------|-------|

Kit consists of: disc, seat O-ring, cover O-ring and flow tube O-ring.

Total Rubber Parts

| | | | | |
|-----------|---------|-------------|-------------|--------|
| LEAD FREE | 0794056 | LFRK 009 RT | 2 1/2" – 3" | 187.00 |
|-----------|---------|-------------|-------------|--------|

Kit consists of: diaphragm, two molded disc assemblies, two seat O-rings, RV O-ring, two piston O-rings, RV stem O-ring, flow tube O-ring and cover O-ring.

Cover Kit

| | | | | |
|-----------|---------|----------|-------------|--------|
| LEAD FREE | 0887282 | RK 009 C | 2 1/2" – 3" | 374.00 |
|-----------|---------|----------|-------------|--------|

Kit consists of: cover, cover O-ring and flow tube O-ring.

Check Seat Kit

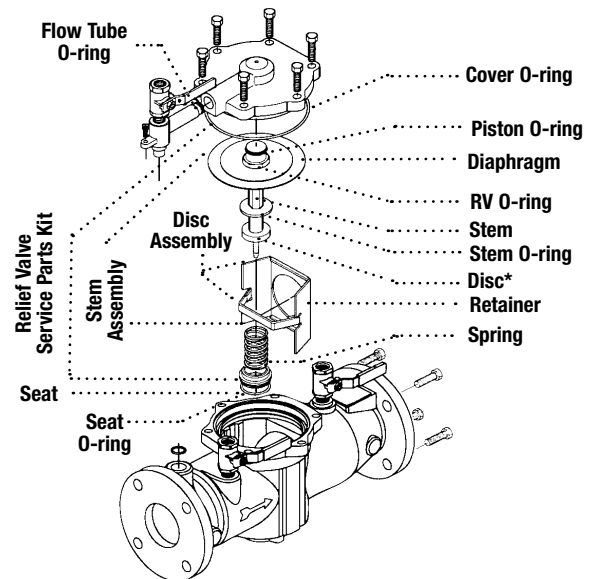
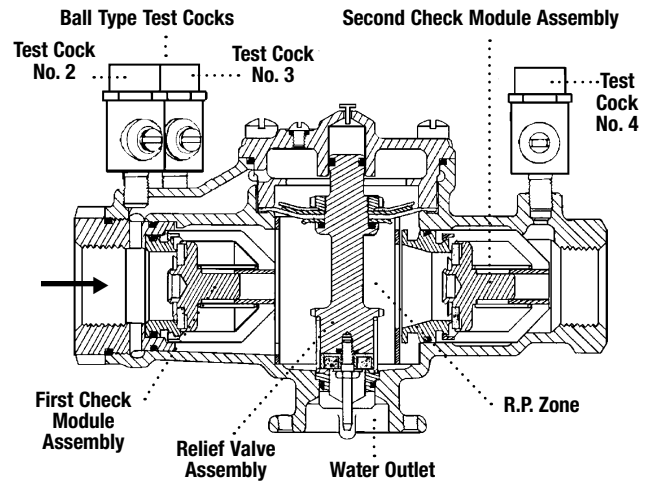
| | | | | |
|-----------|---------|-----------|-------------|-------|
| LEAD FREE | 0887208 | RK 009 S1 | 2 1/2" – 3" | 93.00 |
| LEAD FREE | 0887209 | RK 009 S2 | 2 1/2" – 3" | 93.00 |

Kit consists of: check seat, seat O-ring and cover O-ring.

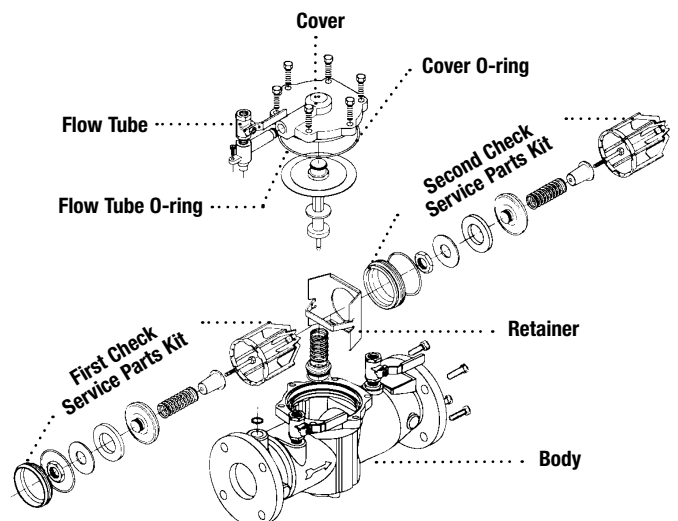
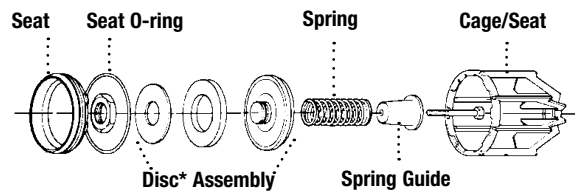
Rubber seat disc can be replaced. However, disc holder and disc retainer are permanently bonded to prevent failure.

First and Second Check Valve modules are not interchangeable.

*The wetted surface of this product contacted by consumable water contains less than 0.25% of lead by weight.



Check Assemblies



Series 900

Reduced Pressure Zone Assemblies

Size 3/4" - 2"

Repair Kits

When ordering specify Ordering Code, Kit No., and Valve Size.

| ORDERING CODE | KIT NO. | SIZE | LIST PRICE |
|-----------------------------|-----------|------------------|------------|
| Complete Repair Kits | | | |
| 0881240 | 45 BFP-RK | 3/4", 1", 1 1/4" | \$374.00 |
| 0881263 | 47 BFP-RK | 1 1/2", 2" | 687.00 |

Kit consists of: inlet adapter gasket, first check valve assembly, with spring and O-ring, second check valve spring, two union nut gaskets, relief valve spring, second check valve assembly, stem O-ring, maintenance tool and silicone grease.

Rubber Parts Kits

| ORDERING CODE | KIT NO. | SIZE | LIST PRICE |
|---------------|-----------|------------------|------------|
| 0881241 | 46 BFP-RK | 3/4", 1", 1 1/4" | 290.00 |
| 0881264 | 48 BFP-RK | 1 1/2", 2" | 488.00 |

Kit consists of: molded disc and piston O-ring.

Relief Valve Seat and Seal Kits

| ORDERING CODE | KIT NO. | SIZE | LIST PRICE |
|---------------|-----------|------------------|------------|
| 0881245 | 34 BFP-RK | 3/4", 1", 1 1/4" | 91.50 |
| 0881275 | 35 BFP-RK | 1 1/2", 2" | 107.00 |

Kit consists of: relief valve seat and O-ring.

Sizes 2 1/2" - 6"

Check kits

When ordering specify Ordering Code, Kit No., and Valve Size.

| ORDERING CODE | KIT NO. | SIZE | LIST PRICE |
|---|-----------|------------|------------|
| First Check Assembly & Relief Valve Kits | | | |
| 0889100 | 36 BFP-RK | 2 1/2", 3" | \$1,864.00 |
| 0889110 | 37 BFP-RK | 4" | 2,687.00 |

Kit consists of: first check valve seat and disc, valve spring, gasket, relief valve seat and spring.

Second Check Assembly Kits

Second Check Valve Spring Assembly

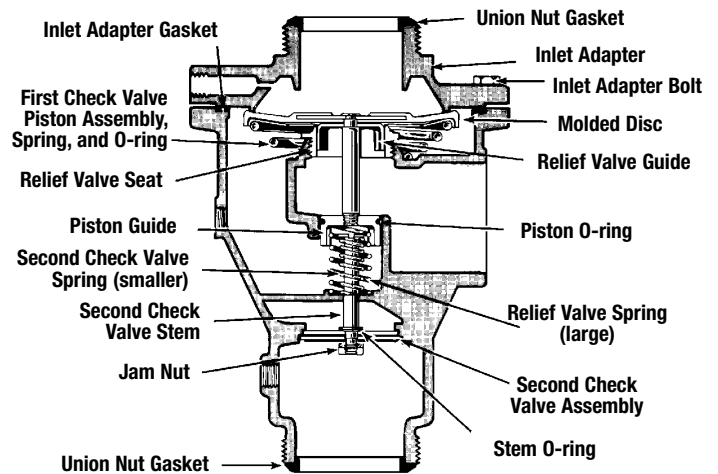
| ORDERING CODE | KIT NO. | SIZE | LIST PRICE |
|---------------|-----------|------------|------------|
| 0889105 | 39 BFP-RK | 2 1/2", 3" | 605.00 |
| 0889115 | 40 BFP-RK | 4" | 920.00 |

Kit consists of: second check valve spring assembly, valve disc and seat, O-rings, lock nut, piston O-ring and guide assembly and relief valve O-ring.

Rubber Parts Kits

| ORDERING CODE | KIT NO. | SIZE | LIST PRICE |
|---------------|-----------|------------|------------|
| 0881295 | 42 BFP-RK | 2 1/2", 3" | 1,403.00 |
| 0881297 | 43 BFP-RK | 4" | 1,657.00 |
| 0881298 | 44 BFP-RK | 6" | 3,124.00 |

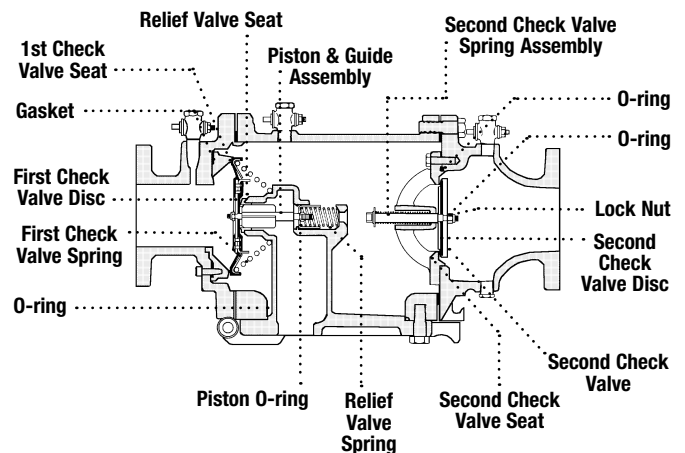
Kit consists of: first check valve disc, second check valve disc, O-rings and silicone grease.



NOTICE

Before reassembly, grease Relief Valve Seat orifice, Piston Bore and Piston O-ring. Use silicone base grease.

Service of these sizes require proper factory maintenance tool kit (see below).



*The wetted surface of this product contacted by consumable water contains less than 0.25% of lead by weight.

Series 909, LF909

Reduced Pressure Zone Assemblies

Sizes 3/4" – 2"

Repair Kits

When ordering specify Ordering Code, Kit No., and Valve Size.

| ORDERING CODE | KIT NO. | SIZE | LIST PRICE |
|---------------|---------|------|------------|
|---------------|---------|------|------------|

Total Repair Kits

| | | | | |
|-----------|---------|------------|-------------|----------|
| LEAD FREE | 0794066 | LFRK 909-T | 3/4" – 1" | \$311.50 |
| | 0794071 | LFRK 909-T | 1 1/4" – 2" | 575.00 |

Kit consists of: relief valve repair kit, first check repair kit, second check repair kit

Relief Valve Kits

Relief Valve Kits

| | | | | |
|-----------|---------|---------------|-------------|--------|
| LEAD FREE | 0794059 | LFRK 909 VT | 3/4" – 1" | 182.00 |
| | 0794060 | LFRK 909M1 VT | 1 1/4" – 2" | 339.00 |

Kit consists of: relief valve assembly, seat, seat O-ring, 2 piston O-rings and lubricant.

Rubber Parts for Relief Valve 1 1/4" – 2"

| | | | | |
|-----------|---------|---------------|-------------|-------|
| LEAD FREE | 0794061 | LFRK 909 RV | 3/4" – 1" | 54.25 |
| | 0794062 | LFRK 909M1 RV | 1 1/4" – 2" | 75.75 |

Kit consists of: diaphragm, disc assembly, seat O-ring, RV O-ring, 2 piston O-ring, and lubricant.

Seat Kits for Relief Valve

| | | | | |
|-----------|---------|-------------|-------------|--------|
| LEAD FREE | 0887372 | RK 909 SV | 3/4" – 1" | 74.75 |
| | 0887371 | RK 909M1 SV | 1 1/4" – 2" | 118.50 |

Kit consists of: seat, seat O-ring, 2 piston O-ring and lubricant.

1 1/4" – 2" 909/909M1 are common kits.

NOTICE

TO PREVENT SHAFT DAMAGE ASSEMBLE AS SHOWN: If cover will not press against body, assembly is crooked and tightening bolts will bend shaft. Do not force the cover into place as damage may result from misalignment.

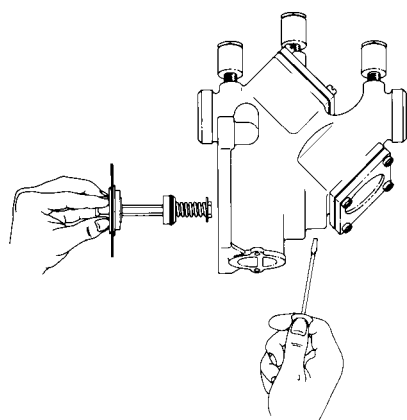


Figure 1:

To assemble the relief valve assembly have a screwdriver ready.

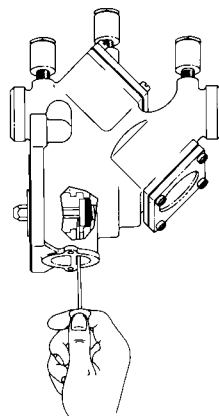


Figure 2:

Depress the relief valve assembly, carefully guiding it against the two pound spring load. When properly aligned, the piston is in the cylinder bore. Insert the screwdriver as shown.

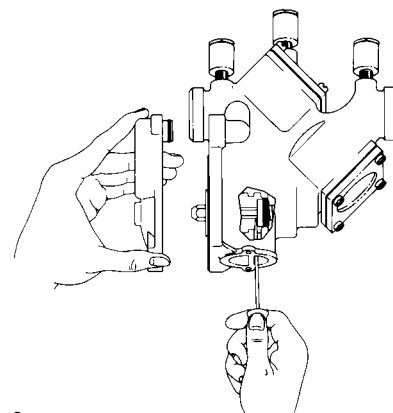
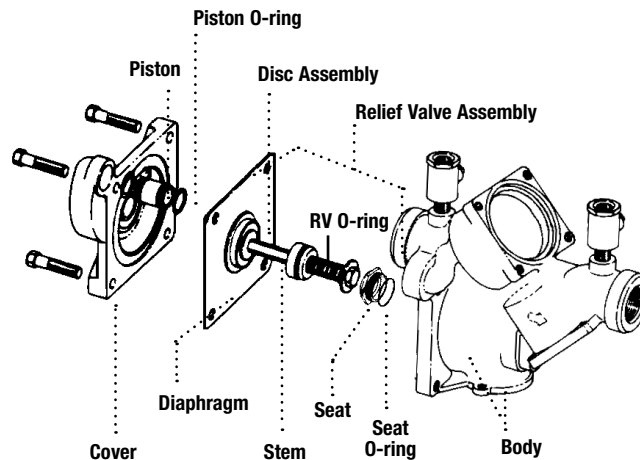


Figure 3:

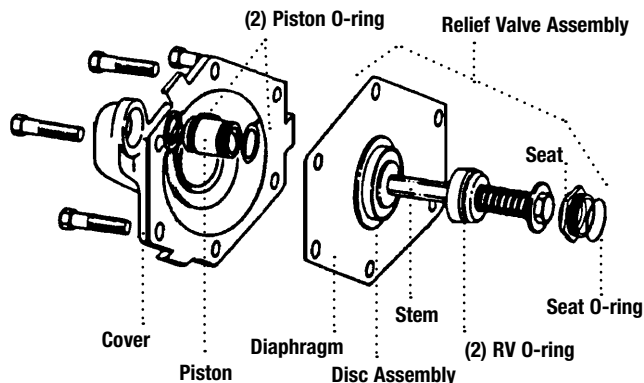
The relief valve assembly is held encapsulated by the screwdriver. You should now have both hands free to bolt down the cover. Insert and snug two bolts 180° apart to hold the cover. Finish inserting the remaining bolts and snug up evenly alternating until secure. Remove the screwdriver.

*The wetted surface of this product contacted by consumable water contains less than 0.25% of lead by weight.

3/4" – 1"



1 1/4" – 2"



Series 909, LF909

Reduced Pressure Zone Assemblies

Sizes 3/4" – 2"

Check valve kits

When ordering specify Ordering Code, Kit No., and Valve Size.

Note: 1 1/4" – 2" 909/909M1 are common kits.

| ORDERING CODE | KIT NO. | SIZE | LIST PRICE |
|---------------|---------|------|------------|
|---------------|---------|------|------------|

First Check Kits

| LEAD FREE | ORDERING CODE | KIT NO. | SIZE | LIST PRICE |
|-----------|---------------|------------------|-------------|------------|
| | 0887120 | RK 909 CK1 | 3/4" – 1" | \$115.00 |
| | 0794063 | LFRK 909M1 CK1 | 1 1/4" – 2" | 220.50 |
| | 0887122 | RK 909 CK1SS** | 3/4" – 1" | 174.50 |
| | 0887135 | RK 909M1 CK1SS** | 1 1/4" – 2" | 296.50 |

Second Check Kits

| LEAD FREE | ORDERING CODE | KIT NO. | SIZE | LIST PRICE |
|-----------|---------------|------------------|-------------|------------|
| | 0887121 | RK 909 CK2 | 3/4" – 1" | 107.50 |
| | 0794064 | LFRK 909M1 CK2 | 1 1/4" – 2" | 208.00 |
| | 0887123 | RK 909 CK2SS** | 3/4" – 1" | 164.50 |
| | 0887136 | RK 909M1 CK2SS** | 1 1/4" – 2" | 284.00 |

Kit consists of: disc assembly, spring, seat, seat O-ring, cover O-ring and lubricant.

Rubber Parts for Both Checks

| LEAD FREE | ORDERING CODE | KIT NO. | SIZE | LIST PRICE |
|-----------|---------------|-------------------|-------------|------------|
| | 0887129 | RK 909 RC3 | 3/4" – 1" | 22.00 |
| | 0887310 | RK 909 RC3 HW | 3/4" – 1" | 44.50 |
| | 0794065 | LFRK 909M1 RC3 | 1 1/4" – 2" | 73.25 |
| | 0794068 | LFRK 909M1 RC3 HW | 1 1/4" – 2" | 73.25 |

Kit consists of: disc assembly, seat O-ring, cover O-ring and lubricant.

NOTE: HW model has bronze disc assembly.

Complete Rubber Parts

| LEAD FREE | ORDERING CODE | KIT NO. | SIZE | LIST PRICE |
|-----------|---------------|---------------|-------------|------------|
| | 0794069 | LFRK 909 RT | 3/4" – 1" | 74.75 |
| | 0794070 | LFRK 909M1 RT | 1 1/4" – 2" | 115.00 |

Kit consists of: disc assembly, seat O-rings, RV diaphragm, RV O-rings, piston O-rings, cover O-rings and lubricant.

Seat Kits for One Check

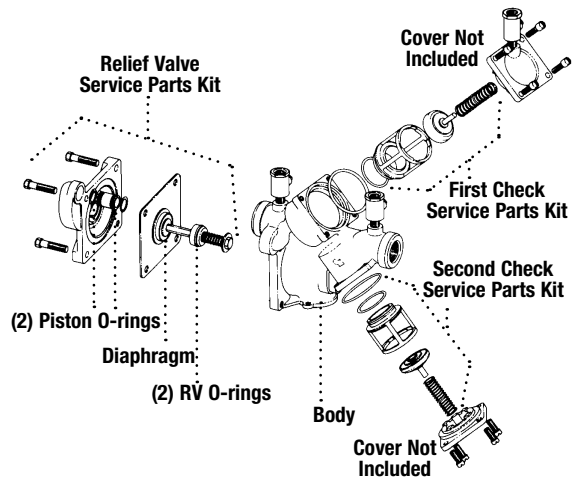
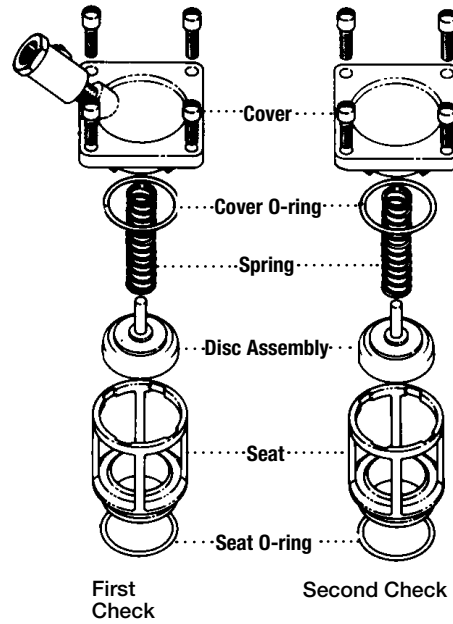
| LEAD FREE | ORDERING CODE | KIT NO. | SIZE | LIST PRICE |
|-----------|---------------|-----------------|-------------|------------|
| | 0887124 | RK 909 S | 3/4" – 1" | 33.75 |
| | 0887139 | RK 909M1 S | 1 1/4" – 2" | 42.75 |
| | 0887125 | RK 909 S-SS** | 3/4" – 1" | 232.00 |
| | 0887140 | RK 909M1 S-SS** | 1 1/4" – 2" | 306.00 |

Kit consists of: seat, seat O-ring and lubricant.

Cover Kits

| LEAD FREE | ORDERING CODE | KIT NO. | SIZE | LIST PRICE |
|-----------|---------------|---------------|-------------|------------|
| | 0794072 | LFRK 909 C1 | 3/4" – 1" | 79.75 |
| | 0794073 | LFRK 909 C2 | 3/4" – 1" | 73.00 |
| | 0794075 | LFRK 909 VC | 3/4" – 1" | 101.00 |
| | 0794074 | LFRK 909M1 C4 | 1 1/4" – 2" | 91.75 |
| | 0794076 | LFRK 909M1 VC | 1 1/4" – 2" | 159.00 |

Kit consists of: cover, cover O-ring and lubricant.



No special tools required to service Series 909.

Rubber seat disc can be replaced. However, disc holder and disc retainer are permanently bonded to prevent failure.

| ORDERING CODE | KIT NO. | SIZE | LIST PRICE |
|---------------|---------|------|------------|
|---------------|---------|------|------------|

Polymer Coated Valves

| LEAD FREE | ORDERING CODE | KIT NO. | SIZE | LIST PRICE |
|-----------|---------------|-----------------|-------------|------------|
| | 0794079 | LFRK 909-PC-CK1 | 3/4" – 1" | \$139.00 |
| | 0794080 | LFRK 909-PC-CK2 | 3/4" – 1" | 130.00 |
| | 0794077 | LFRK 909-PC-CK1 | 1 1/4" – 2" | 248.50 |
| | 0794078 | LFRK 909-PC-CK2 | 1 1/4" – 2" | 235.00 |

Kit consists of: disc assembly, seat, seat O-ring, sleeve, check spring, PC cover and cover O-ring.

*The wetted surface of this product contacted by consumable water contains less than 0.25% of lead by weight.

**Stainless steel seat

2

Reduced Pressure Zone Assemblies

Series 909, LF909

Reduced Pressure Zone Assemblies

Sizes 2 1/2" – 10"

Relief Valve Kits

When ordering specify Ordering Code, Kit No., and Valve Size.

**M1 = Cast iron relief valve.

| ORDERING CODE | KIT NO. | SIZE | LIST PRICE |
|---------------|---------|------|------------|
|---------------|---------|------|------------|

Relief Valve Rubber Parts

| LEAD FREE | ORDERING CODE | KIT NO. | SIZE | LIST PRICE |
|-----------|---------------|-----------------|----------------------------|------------|
| | 0794081 | LFRK 909 RV | 2 1/2" – 3" | \$186.00 |
| | 0794083 | LFRK 909 RV | 8" – 10" | 309.00 |
| | 0794150 | LFRK 909(M1)-RV | 4"–6" 909, 8"–10" 909M1 | 245.50 |

Kit consists of: sleeve O-ring, piston O-ring, stem O-ring, RV disc assembly, diaphragm, piston seal, bottom plug O-ring, adapter O-ring and lubricant.

Relief Valve Total

| LEAD FREE | ORDERING CODE | KIT NO. | SIZE | LIST PRICE |
|-----------|---------------|-----------------|----------------------------|------------|
| | 0887237 | RK 909 VT | 8" – 10" | 1,361.00 |
| | 0887267 | RK 909 VT | Bronze Body 4" – 6" | 737.50 |
| | 0794085 | LFRK 909 VT | 2 1/2" – 3" | 361.00 |
| | 0794151 | LFRK 909(M1)-VT | 4"–6" 909, 8"–10" 909M1 | 808.00 |

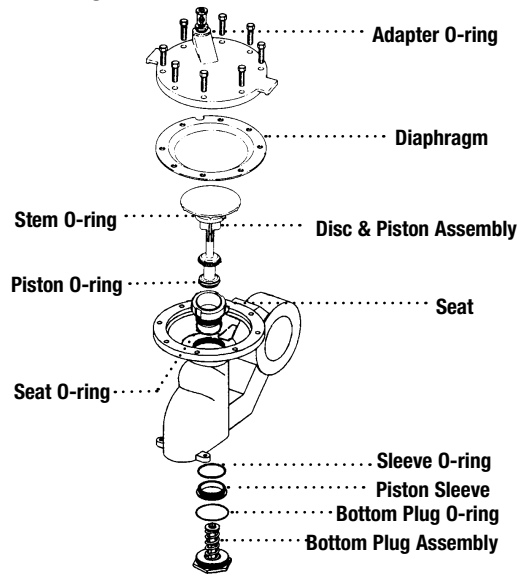
Kit consists of: diaphragm, disc & piston assembly, seat, seat O-ring, adapter O-ring and lubricant. (Sizes 4"–10"M1 includes bottom plug & spring assembly).

Total Rubber Parts Kits

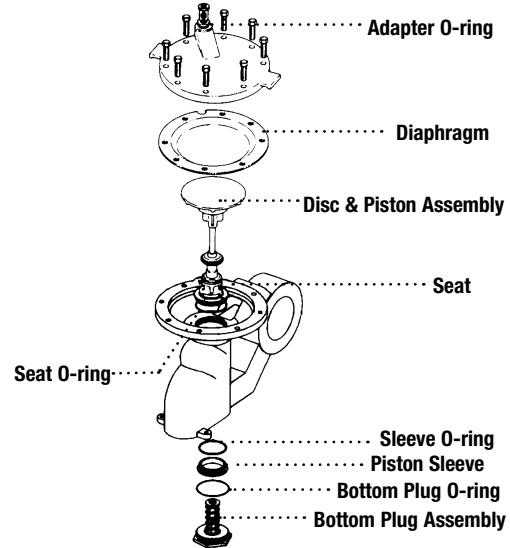
| LEAD FREE | ORDERING CODE | KIT NO. | SIZE | LIST PRICE |
|-----------|---------------|---------------|-------------|------------|
| | 0794089 | LFRK 909 RT | 2 1/2" – 3" | 330.50 |
| | 0794090 | LFRK 909 RT | 4" | 436.50 |
| | 0794091 | LFRK 909 RT | 6" | 458.00 |
| | 0794092 | LFRK 909 RT | 8" | 565.50 |
| | 0794093 | LFRK 909M1 RT | 8" | 503.00 |
| | 0794094 | LFRK 909 RT | 10" | 660.00 |
| | 0794095 | LFRK 909M1 RT | 10" | 598.00 |

Kit consists of: upper and lower check stem O-ring (6" only), check disc, cover O-ring, sleeve O-ring, piston O-ring, RV disc assembly, diaphragm, piston seal and lubricant.

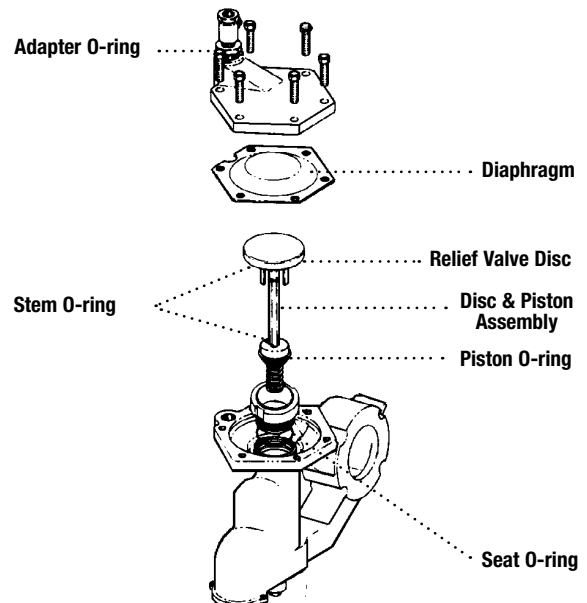
4" – 10"



8"M1, 10"M1



2 1/2", 3"



*The wetted surface of this product contacted by consumable water contains less than 0.25% of lead by weight.

Series 909, LF909

Reduced Pressure Zone Assemblies

Sizes 2 1/2" – 10"

Check valve kits

When ordering specify Ordering Code, Kit No., and Valve Size.

| ORDERING CODE | KIT NO. | SIZE | LIST PRICE |
|---------------|---------|------|------------|
|---------------|---------|------|------------|

First Check Kits

| | | | |
|---------|--------------|-------------|----------|
| 0794096 | LFRK 909 CK1 | 2 1/2" – 3" | \$463.50 |
| 0794097 | LFRK 909 CK1 | 4" | 749.50 |
| 0794098 | LFRK 909 CK1 | 6" | 1,342.00 |
| 0794099 | LFRK 909 CK1 | 8" | 2,388.00 |
| 0794100 | LFRK 909 CK1 | 10" | 3,423.00 |

Second Check Kits

| | | | |
|---------|--------------|-------------|----------|
| 0794101 | LFRK 909 CK2 | 2 1/2" – 3" | 445.00 |
| 0794102 | LFRK 909 CK2 | 4" | 710.00 |
| 0794103 | LFRK 909 CK2 | 6" | 1,225.00 |
| 0794104 | LFRK 909 CK2 | 8" | 2,240.00 |
| 0794105 | LFRK 909 CK2 | 10" | 3,014.00 |

Kit consists of: disc & spring assembly, cover O-ring and lubricant.

Seat Kits

| | | | |
|---------|------------|-------------|----------|
| 0794106 | LFRK 909 S | 2 1/2" – 3" | 176.50 |
| 0794107 | LFRK 909 S | 4" | 257.50 |
| 0794108 | LFRK 909 S | 6" | 441.00 |
| 0794109 | LFRK 909 S | 8" | 1,051.00 |
| 0794110 | LFRK 909 S | 10" | 1,227.00 |

Kit consists of: seat, seat O-ring, cover O-ring, retainer wires and lubricant.

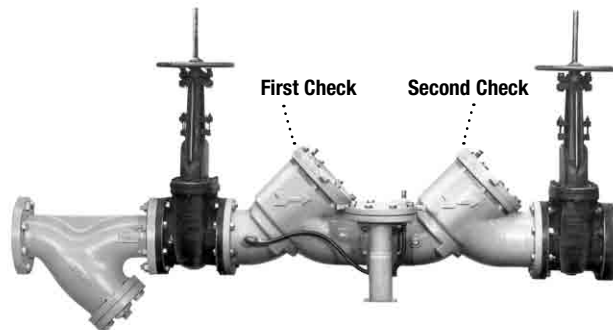
First Check Rubber Parts Kits

| | | | |
|---------|------------|-------------|--------|
| 0887220 | RK 909 RC1 | 2 1/2" – 3" | 69.00 |
| 0887221 | RK 909 RC1 | 4" | 91.00 |
| 0887223 | RK 909 RC1 | 6" | 103.50 |
| 0887224 | RK 909 RC1 | 8" | 125.00 |
| 0887225 | RK 909 RC1 | 10" | 170.00 |

Second Check Rubber Parts Kits

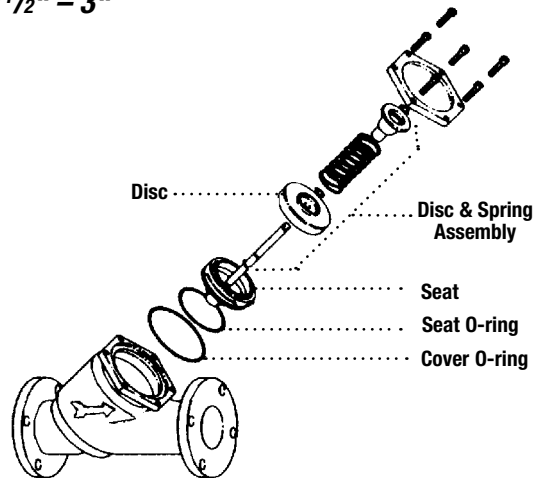
| | | | |
|---------|------------|-------------|--------|
| 0887226 | RK 909 RC2 | 2 1/2" – 3" | 69.00 |
| 0887227 | RK 909 RC2 | 4" | 91.00 |
| 0887228 | RK 909 RC2 | 6" | 103.50 |
| 0887229 | RK 909 RC2 | 8" | 125.00 |
| 0887230 | RK 909 RC2 | 10" | 170.00 |

Kit consists of: upper and lower check stem O-ring (6" only), check disc, cover O-ring and lubricant.

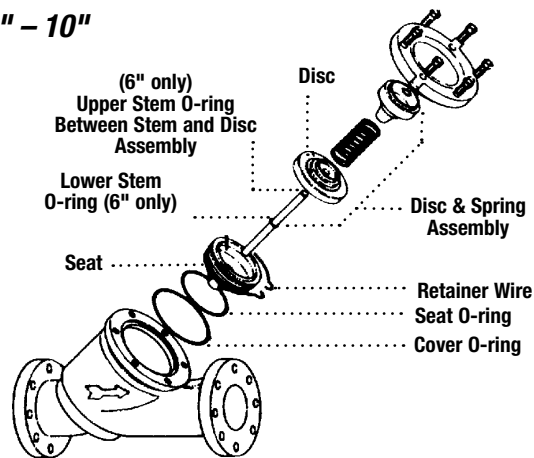


First and second checks are not interchangeable.

2 1/2" – 3"



4" – 10"



⚠ WARNING

Spring assembly is factory assembled. DO NOT DISASSEMBLE.

| ORDERING CODE | KIT NO. | SIZE | LIST PRICE |
|---------------|---------|------|------------|
|---------------|---------|------|------------|

Cover Kits for Checks

| | | | |
|---------|----------|-------------|----------|
| 0887740 | RK 909 C | 2 1/2" – 3" | \$233.00 |
| 0887741 | RK 909 C | 4" | 261.00 |
| 0887742 | RK 909 C | 6" | 364.00 |
| 0887743 | RK 909 C | 8" | 595.50 |
| 0887744 | RK 909 C | 10" | 1,332.00 |

Kit consists of: cover, cover O-ring and lubricant.

*The wetted surface of this product contacted by consumable water contains less than 0.25% of lead by weight.

Series 909RPDA

Reduced Pressure Detector Assemblies

2 1/2" – 10"

Relief Valve Kits

When ordering specify Ordering Code, Kit No., and Valve Size.

**M1 = Cast iron relief valve.

| ORDERING CODE | KIT NO. | SIZE | LIST PRICE |
|---------------|---------|------|------------|
|---------------|---------|------|------------|

Relief Valve Rubber Parts

| LEAD FREE | ORDERING CODE | KIT NO. | SIZE | LIST PRICE |
|-----------|---------------|-----------------|-------------|------------|
| | 0794111 | LFRK 909RPDA-RV | 2 1/2" – 3" | \$186.00 |
| | 0794112 | LFRK 909RPDA-RV | 4" – 10" | 245.50 |

Kit consists of: sleeve O-ring, seat O-ring, piston O-ring, stem O-ring, RV disc assembly, diaphragm, piston seal, bottom plug O-ring, adapter O-ring and lubricant.

Relief Valve Total

| LEAD FREE | ORDERING CODE | KIT NO. | SIZE | LIST PRICE |
|-----------|---------------|-----------------|----------------------------|------------|
| | 0887268 | RK 909RPDA VT | Bronze Body 4" – 6" | 737.50 |
| | 0794115 | LFRK 909RPDA-VT | Cast Iron Body 2 1/2" – 3" | 361.00 |
| | 0794116 | LFRK 909RPDA-VT | 4" – 10" | 673.50 |

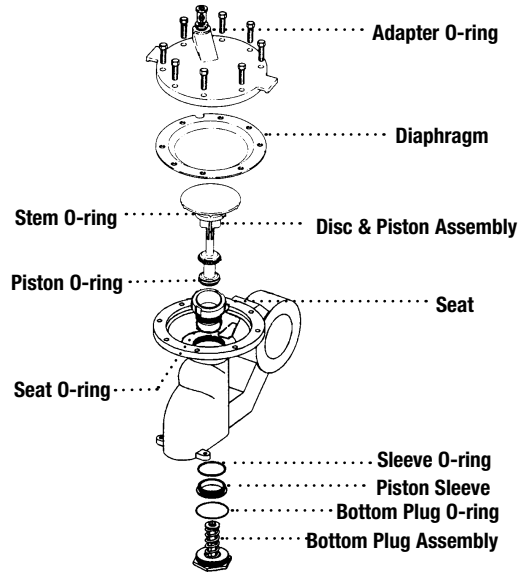
Kit consists of: diaphragm, disc & piston assembly, seat, seat O-ring, adapter O-ring and lubricant. (Sizes 4"–10"M1 includes bottom plug & spring assembly.)

Total Rubber Parts Kits

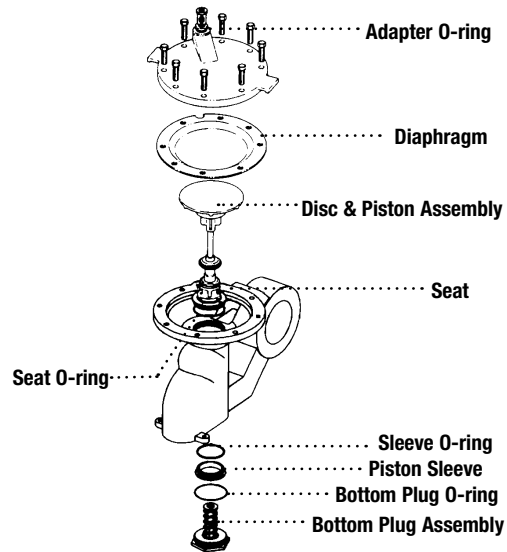
| LEAD FREE | ORDERING CODE | KIT NO. | SIZE | LIST PRICE |
|-----------|---------------|-----------------|-------------|------------|
| | 0794123 | LFRK 909RPDA-RT | 8" | 503.00 |
| | 0794119 | LFRK 909RPDA-RT | 2 1/2" – 3" | 330.00 |
| | 0794120 | LFRK 909RPDA-RT | 4" | 436.50 |
| | 0794121 | LFRK 909RPDA-RT | 6" | 458.00 |
| | 0794125 | LFRK 909RPDA-RT | 10" | 598.00 |

Kit consists of: upper and lower check stem O-ring (6" only), check disc, cover O-ring, sleeve O-ring, piston O-ring, RV disc assembly, diaphragm, piston seat and lubricant.

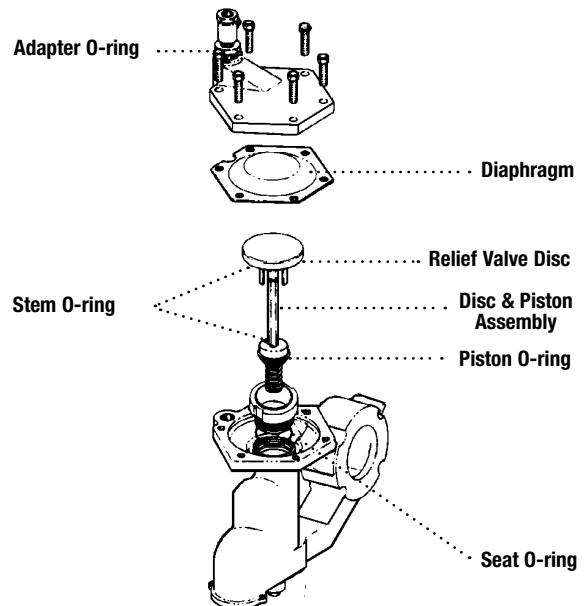
4" – 10"



8"M1, 10"M1



2 1/2", 3"



Series 909RPDA

Reduced Pressure Detector Assemblies

2 1/2" – 10"

Check valve kits

When ordering specify Ordering Code, Kit No., and Valve Size.

| ORDERING CODE | KIT NO. | SIZE | LIST PRICE |
|---------------|---------|------|------------|
|---------------|---------|------|------------|

First Check Kits

| | | | |
|---------|------------------|-------------|----------|
| 0794126 | LFRK 909RPDA-CK1 | 2 1/2" – 3" | \$557.50 |
| 0794127 | LFRK 909RPDA-CK1 | 4" | 775.50 |
| 0794128 | LFRK 909RPDA-CK1 | 6" | 1,400.00 |
| 0794129 | LFRK 909RPDA-CK1 | 8" | 2,527.00 |
| 0794130 | LFRK 909RPDA-CK1 | 10" | 3,751.00 |

Second Check Kits

| | | | |
|---------|------------------|-------------|----------|
| 0794131 | LFRK 909RPDA-CK2 | 2 1/2" – 3" | 445.00 |
| 0794132 | LFRK 909RPDA-CK2 | 4" | 710.00 |
| 0794133 | LFRK 909RPDA-CK2 | 6" | 1,225.00 |
| 0794135 | LFRK 909RPDA-CK2 | 10" | 3,014.00 |

Kit consists of: disc & spring assembly, cover O-ring and lubricant.

First Check Rubber Parts Kits

| | | | |
|---------|----------------|-------------|--------|
| 0887249 | RK 909RPDA RC1 | 2 1/2" – 3" | 69.00 |
| 0887250 | RK 909RPDA RC1 | 4" | 91.00 |
| 0887251 | RK 909RPDA RC1 | 6" | 103.50 |
| 0887252 | RK 909RPDA RC1 | 8" | 125.00 |
| 0887253 | RK 909RPDA RC1 | 10" | 170.00 |

Second Check Rubber Parts Kits

| | | | |
|---------|----------------|-------------|--------|
| 0887254 | RK 909RPDA RC2 | 2 1/2" – 3" | 69.00 |
| 0887255 | RK 909RPDA RC2 | 4" | 91.00 |
| 0887256 | RK 909RPDA RC2 | 6" | 103.50 |
| 0887257 | RK 909RPDA RC2 | 8" | 125.00 |
| 0887258 | RK 909RPDA RC2 | 10" | 170.00 |

Kit consists of: upper and lower check stem O-ring (6" only), check disc, cover O-ring and lubricant.

Seat Kits

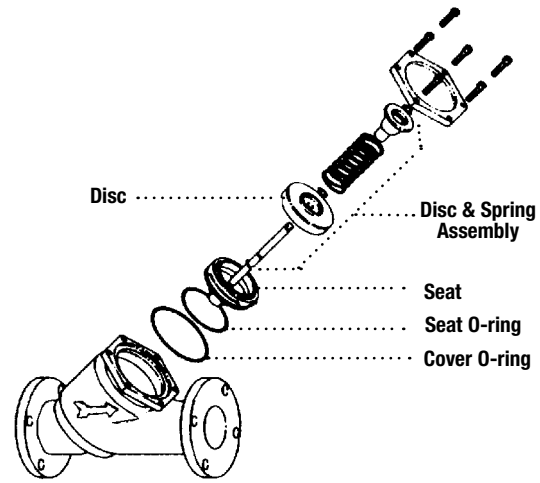
| | | | |
|---------|----------------|-------------|----------|
| 0794136 | LFRK 909RPDA-S | 2 1/2" – 3" | 176.50 |
| 0794137 | LFRK 909RPDA-S | 4" | 257.50 |
| 0794138 | LFRK 909RPDA-S | 6" | 441.00 |
| 0794139 | LFRK 909RPDA-S | 8" | 1,051.00 |
| 0794140 | LFRK 909RPDA-S | 10" | 1,227.00 |

Kit consists of: seat, seat O-ring, cover O-ring, retainer wires and lubricant.

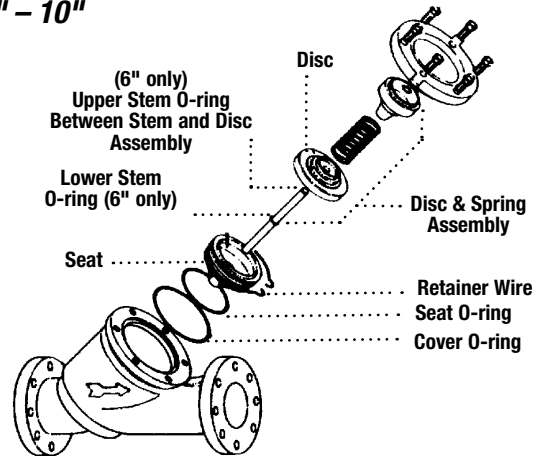
Cover Kits for Checks

| | | | |
|---------|--------------|-------------|----------|
| 0887745 | RK 909RPDA C | 2 1/2" – 3" | 233.00 |
| 0887746 | RK 909RPDA C | 4" | 261.00 |
| 0887747 | RK 909RPDA C | 6" | 364.00 |
| 0887748 | RK 909RPDA C | 8" | 595.50 |
| 0887749 | RK 909RPDA C | 10" | 1,332.00 |

2 1/2" – 3"



4" – 10"



⚠ WARNING

Spring assembly is factory assembled. DO NOT DISASSEMBLE.

*The wetted surface of this product contacted by consumable water contains less than 0.25% of lead by weight.

Series 919, LF919

Reduced Pressure Zone Assemblies

Sizes 1/4" - 2"

Repair Kits

When ordering specify Ordering Code, Kit No., and Valve Size.

| ORDERING CODE | KIT NO. | SIZE | LIST PRICE |
|---------------|---------|------|------------|
|---------------|---------|------|------------|

Total Repair Kits

| LEAD FREE | ORDERING CODE | KIT NO. | SIZE | LIST PRICE |
|-----------|---------------|----------|-----------------|------------|
| | 0888167 | RK 919-T | 1/4" - 1/2" | \$123.00 |
| | 0888168 | RK 919-T | 3/4" | 204.00 |
| | 0888169 | RK 919-T | 1" | 204.00 |
| | 0888170 | RK 919-T | 1 1/4" - 1 1/2" | 314.00 |
| | 0888171 | RK 919-T | 2" | 321.00 |

Kit consists of: relief valve repair kit, first check repair kit, second check repair kit

Relief Valve Kits

Total Relief Valve Kits

| LEAD FREE | ORDERING CODE | KIT NO. | SIZE | LIST PRICE |
|-----------|---------------|-----------|-------------|------------|
| | 0888130 | RK 919 VT | 1/4" - 1/2" | \$88.75 |
| | 0888131 | RK 919 VT | 3/4" - 1" | 158.00 |
| | 0888132 | RK 919 VT | 1 1/4" - 2" | 206.50 |

Kit consists of: relief valve assembly, RV spring, and RV cover O-ring.

Relief Valve Rubber Parts Kits

| LEAD FREE | ORDERING CODE | KIT NO. | SIZE | LIST PRICE |
|-----------|---------------|-----------|-------------|------------|
| | 0888135 | RK 919 RV | 1/4" - 1/2" | 38.00 |
| | 0888136 | RK 919 RV | 3/4" - 1" | 44.50 |
| | 0888137 | RK 919 RV | 1 1/4" - 2" | 50.25 |

Kit consists of: relief valve disc, RV diaphragm, RV seat O-ring and cover O-ring

Relief Valve Seat Kits

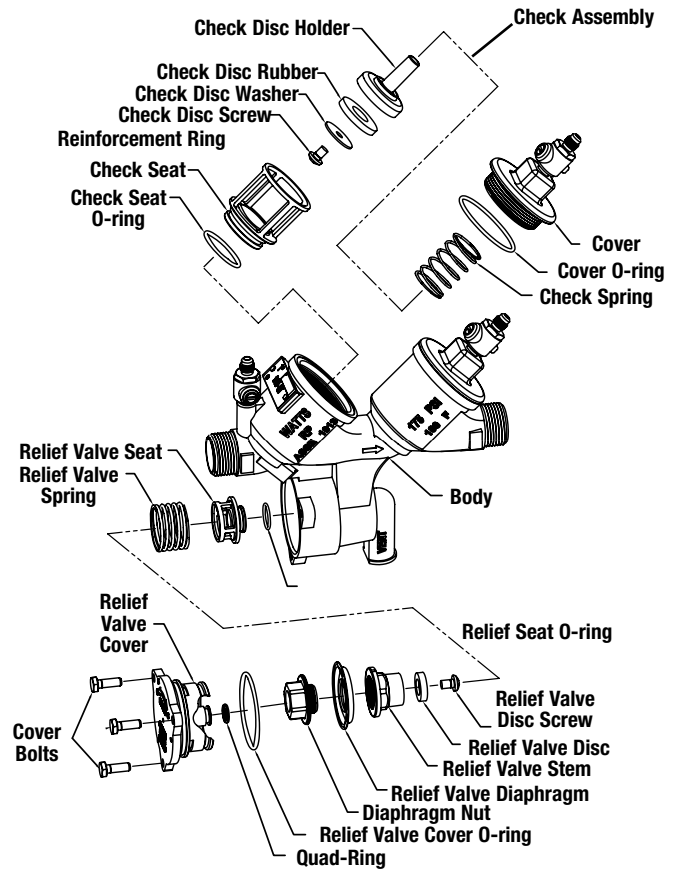
| LEAD FREE | ORDERING CODE | KIT NO. | SIZE | LIST PRICE |
|-----------|---------------|-----------|-------------|------------|
| | 0888150 | RK 919 SV | 1/4" - 1/2" | 11.75 |
| | 0888151 | RK 919 SV | 3/4" - 1" | 12.75 |
| | 0888153 | RK 919 SV | 1 1/4" - 2" | 10.00 |

Kit consists of: relief valve seat, RV seat O-ring and RV cover O-ring

Relief Valve Cover Kits

| LEAD FREE | ORDERING CODE | KIT NO. | SIZE | LIST PRICE |
|-----------|---------------|-------------|-------------|------------|
| | 0888164 | LFRK 919 VC | 1/4" - 1/2" | 81.50 |
| | 0794142 | LFRK 919 VC | 3/4" - 1" | 78.75 |
| | 0794143 | LFRK 919 VC | 1 1/4" - 2" | 81.50 |

Kit consists of: relief valve cover and cover O-ring



2

Reduced Pressure Zone Assemblies

*The wetted surface of this product contacted by consumable water contains less than 0.25% of lead by weight.

Series 919, LF919

Reduced Pressure Zone Assemblies

Sizes 1/4" – 2"

Check valve kits

When ordering specify Ordering Code, Kit No., and Valve Size.

| ORDERING CODE | KIT NO. | SIZE | LIST PRICE |
|---------------|---------|------|------------|
|---------------|---------|------|------------|

1st Check Kits

| | | | |
|---------|------------|-----------------|---------|
| 0888110 | RK 919 CK1 | 1/4" – 1/2" | \$38.00 |
| 0888111 | RK 919 CK1 | 3/4" | 60.00 |
| 0888112 | RK 919 CK1 | 1" | 60.00 |
| 0888113 | RK 919 CK1 | 1 1/4" – 1 1/2" | 110.00 |
| 0888114 | RK 919 CK1 | 2" | 117.50 |

Kit consists of: check assembly, spring and cover O-ring

2nd Check Kits

| | | | |
|---------|------------|-----------------|--------|
| 0888115 | RK 919 CK2 | 1/4" – 1/2" | 37.00 |
| 0888116 | RK 919 CK2 | 3/4" | 54.50 |
| 0888117 | RK 919 CK2 | 1" | 54.50 |
| 0888118 | RK 919 CK2 | 1 1/4" – 1 1/2" | 102.50 |
| 0888119 | RK 919 CK2 | 2" | 104.50 |

Kit consists of: check assembly, spring and cover O-ring

1st or 2nd Check Rubber Parts Kits

| | | | |
|---------|------------|-----------------|-------|
| 0888120 | RK 919 RC4 | 1/4" – 1/2" | 11.25 |
| 0888121 | RK 919 RC4 | 3/4" | 11.25 |
| 0888122 | RK 919 RC4 | 1" | 11.25 |
| 0888123 | RK 919 RC4 | 1 1/4" – 1 1/2" | 14.75 |
| 0888124 | RK 919 RC4 | 2" | 15.50 |

Kit consists of: disc, seat O-ring and cover O-ring

Check Seat Kits

| | | | |
|---------|----------|-----------------|-------|
| 0888125 | RK 919 S | 1/4" – 1/2" | 29.00 |
| 0888126 | RK 919 S | 3/4" | 38.25 |
| 0888127 | RK 919 S | 1" | 39.50 |
| 0888128 | RK 919 S | 1 1/4" – 1 1/2" | 60.25 |
| 0888129 | RK 919 S | 2" | 66.75 |

Kit consists of: seat, seat O-ring and cover O-ring

Complete Valve Rubber Parts Kits

| | | | |
|---------|-----------|-----------------|-------|
| 0888140 | RK 919 RT | 1/4" – 1/2" | 60.25 |
| 0888141 | RK 919 RT | 3/4" | 64.25 |
| 0888142 | RK 919 RT | 1" | 66.75 |
| 0888143 | RK 919 RT | 1 1/4" – 1 1/2" | 81.00 |
| 0888144 | RK 919 RT | 2" | 84.75 |

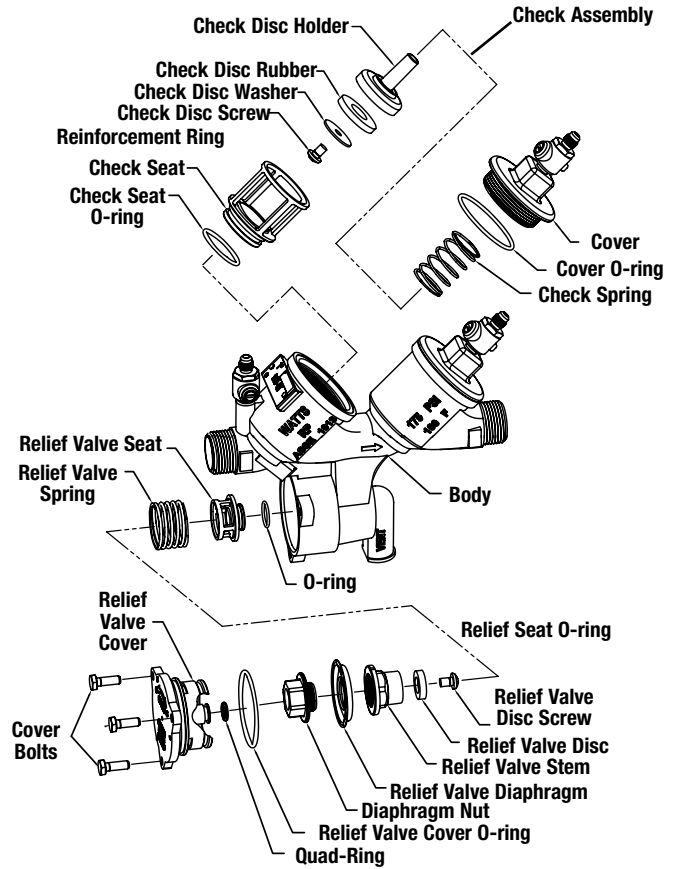
Kit consists of: 2 check seat O-rings, 2 check cover O-rings, relief valve O-ring, relief valve cover O-ring, relief valve stem O-ring

Check Cover Kits»

| | | | |
|---------|------------|-----------------|--------|
| 0794144 | LFRK 919 C | 1/4" – 1/2" | 56.75 |
| 0794145 | LFRK 919 C | 3/4" | 95.00 |
| 0794146 | LFRK 919 C | 1" | 95.00 |
| 0794147 | LFRK 919 C | 1 1/4" – 1 1/2" | 128.00 |
| 0794148 | LFRK 919 C | 2" | 144.50 |

Kit consists of: cover and cover O-ring

For 1/2" and 3/4" 919R10 models use 1" repair kits.



*The wetted surface of this product contacted by consumable water contains less than 0.25% of lead by weight.

2

Reduced Pressure Zone Assemblies

Series 957, 957RPDA, LF957RPDA

Reduced Pressure Zone Assemblies
 Reduced Pressure Detector Assemblies

Sizes 2 1/2" – 10"

Relief Valve Kits

When ordering specify Ordering Code, Kit No., and Valve Size.

| ORDERING CODE | KIT NO. | SIZE | LIST PRICE |
|---------------|---------|------|------------|
|---------------|---------|------|------------|

Relief Valve Total Kits

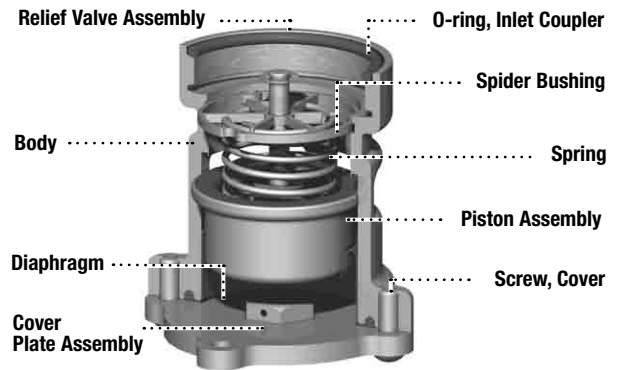
| | | | | |
|------------------|---------|-------------------|--------------|----------|
| LEAD FREE | 0899232 | RK 957/957RPDA VT | 2 1/2" – 10" | \$664.50 |
|------------------|---------|-------------------|--------------|----------|

Kit consists of: complete relief valve assembly.

Relief Valve Rubber Parts Kits

| | | | | |
|------------------|---------|-------------------|--------------|----------|
| LEAD FREE | 0899236 | RK 957/957RPDA RV | 2 1/2" – 10" | \$188.00 |
|------------------|---------|-------------------|--------------|----------|

Kit consists of: diaphragm, inlet coupler O-ring and piston assembly.



2

Reduced Pressure Zone Assemblies

*The wetted surface of this product contacted by consumable water contains less than 0.25% of lead by weight.

Series 957, 957RPDA, LF957RPDA

Reduced Pressure Zone Assemblies Reduced Pressure Detector Assemblies

Sizes 2 1/2" – 10"

Check valve kits

When ordering specify Ordering Code, Kit No., and Valve Size.

| ORDERING CODE | KIT NO. | DISC | SIZE | LIST PRICE |
|---------------|---------|------|------|------------|
|---------------|---------|------|------|------------|

First Check Kits

| | | | | |
|---------|-----------------------|--------------|-------------|----------|
| 7018129 | RK 957/957RPDA CK1 | EPDM | 2 1/2" – 4" | \$300.00 |
| 0889370 | RK 957/957RPDA CK1-RS | Red Silicone | 2 1/2" – 4" | 300.00 |
| 7018132 | RK 957/957RPDA CK1 | EPDM | 6" | 445.50 |
| 0889374 | RK 957/957RPDA CK1-RS | Red Silicone | 6" | 445.50 |
| 7018135 | RK 957/957RPDA CK1 | Red Silicone | 8" | 709.00 |
| 0899215 | RK 957/957RPDA CK1 | Red Silicone | 10" | 961.00 |

Kit consists of: first check module, check module O-ring and disc elastomer.

Second Check Kits

| | | | | |
|---------|-----------------------|--------------|-------------|--------|
| 0899216 | RK 957/957RPDA CK2 | EPDM | 2 1/2" – 4" | 283.00 |
| 0889371 | RK 957/957RPDA CK2-RS | Red Silicone | 2 1/2" – 4" | 283.00 |
| 0899217 | RK 957/957RPDA CK2 | EPDM | 6" | 393.00 |
| 0889375 | RK 957/957RPDA CK2-RS | Red Silicone | 6" | 393.00 |
| 0899218 | RK 957/957RPDA CK2 | Red Silicone | 8" | 652.00 |
| 0899219 | RK 957/957RPDA CK2 | Red Silicone | 10" | 820.00 |

Kit consists of: second check module, check module O-ring and disc elastomer.

First or Second Check Rubber Parts Kits

| | | | | |
|---------|-----------------------|--------------|-------------|--------|
| 0899220 | RK 957/957RPDA RC4 | EPDM | 2 1/2" – 4" | 36.75 |
| 0889372 | RK 957/957RPDA RC4-RS | Red Silicone | 2 1/2" – 4" | 36.75 |
| 0899221 | RK 957/957RPDA RC4 | EPDM | 6" | 47.00 |
| 0889376 | RK 957/957RPDA RC4-RS | Red Silicone | 6" | 47.00 |
| 0899222 | RK 957/957RPDA RC4 | Red Silicone | 8" | 65.75 |
| 0899223 | RK 957/957RPDA RC4 | Red Silicone | 10" | 147.50 |

Kit consists of: check module O-ring, disc elastomer and E-clip.

Check Sleeve Cover Kits

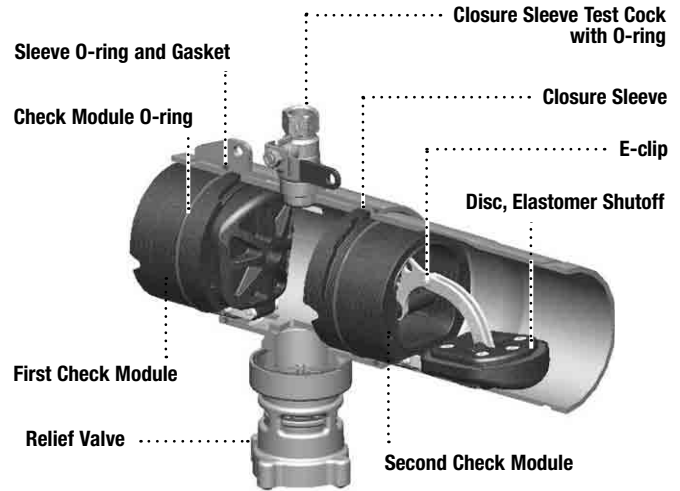
| | | | | |
|---------|------------------|--|-------------|----------|
| 0899240 | RK 957/957RPDA C | | 2 1/2" – 4" | 358.50 |
| 0899241 | RK 957/957RPDA C | | 6" | 481.00 |
| 0899242 | RK 957/957RPDA C | | 8" | 822.00 |
| 0899243 | RK 957/957RPDA C | | 10" | 1,003.00 |

Kit consists of: closure sleeve, sleeve O-ring and gasket.

Total Rubber Parts Kits

| | | | | |
|---------|----------------------|--------------|-------------|--------|
| 0899244 | RK 957/957RPDA RT | EPDM | 2 1/2" – 4" | 251.50 |
| 0889373 | RK 957/957RPDA RT-RS | Red Silicone | 2 1/2" – 4" | 251.50 |
| 0899245 | RK 957/957RPDA RT | EPDM | 6" | 270.50 |
| 0889377 | RK 957/957RPDA RT-RS | Red Silicone | 6" | 270.50 |
| 0899246 | RK 957/957RPDA RT | Red Silicone | 8" | 308.50 |
| 0899247 | RK 957/957RPDA RT | Red Silicone | 10" | 507.00 |

Kit consists of: 1st and 2nd check module O-ring, (2) disc elastomer, (2) E-clips, relief valve diaphragm, relief valve inlet coupler O-ring and relief valve piston assembly.



2

Reduced Pressure Zone Assemblies

*The wetted surface of this product contacted by consumable water contains less than 0.25% of lead by weight.

Series 990

Reduced Pressure Zone Assemblies

Sizes 4" – 8"

Relief Valve Kits

When ordering specify Ordering Code, Kit No., and Valve Size.

Series 990

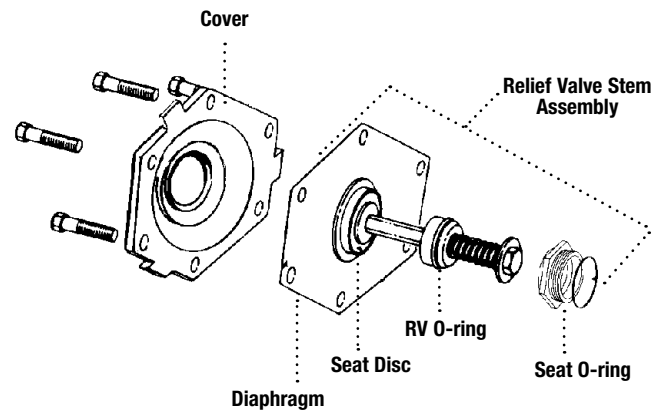
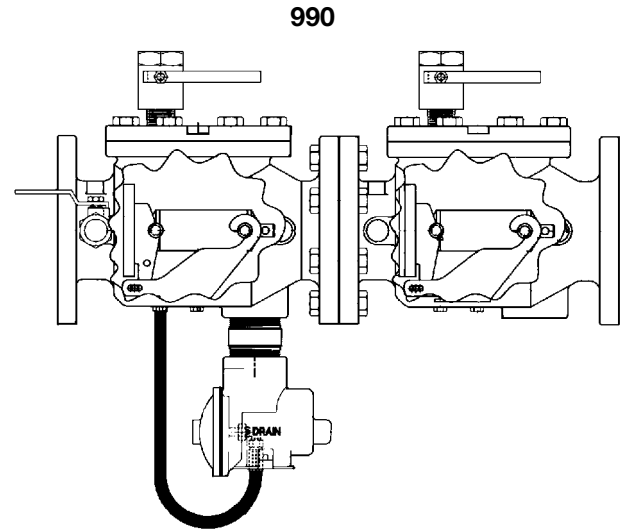
| ORDERING CODE | KIT NO. | SIZE | LIST PRICE |
|---------------------------|-----------|------|------------|
| Relief Valve Total | | | |
| 0887327 | RK 990 VT | 4" | \$340.50 |
| 0887328 | RK 990 VT | 6" | 340.50 |
| 0887329 | RK 990 VT | 8" | 1,126.00 |

Kit consists of: relief valve stem assembly, seat O-ring.

Relief Valve Rubber Parts

| | | | |
|---------|-----------|----|--------|
| 0887324 | RK 990 RV | 4" | 220.00 |
| 0887325 | RK 990 RV | 6" | 239.50 |
| 0887326 | RK 990 RV | 8" | 255.00 |

Kit consists of: relief valve diaphragm, piston O-rings, seat disc, seat O-ring.



Series 990, 990RPDA

Reduced Pressure Zone Assemblies

Reduced Pressure Detector Assemblies

Sizes 4" – 8"

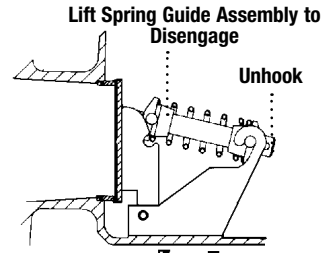
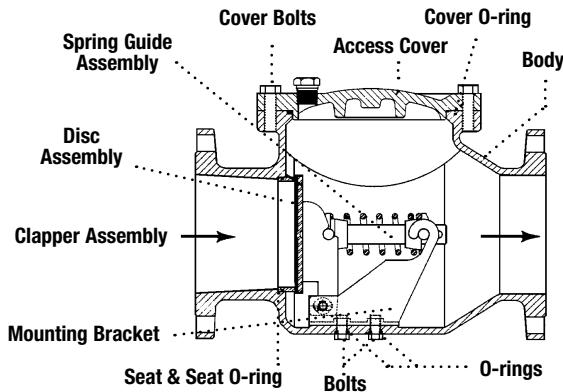


Fig. 1

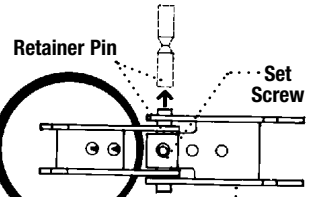
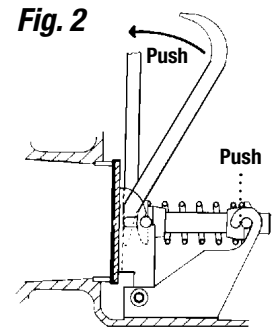


Fig. 3

Top View

Check valve kits

When ordering specify Ordering Code, Kit No., and Valve Size.

Series 990

| ORDERING CODE | KIT NO. | SIZE | LIST PRICE |
|---------------------------------|------------|------|------------|
| First Check Repair Kits | | | |
| 0887315 | RK 990 CK1 | 4" | \$549.50 |
| 0887316 | RK 990 CK1 | 6" | 683.50 |
| 0887317 | RK 990 CK1 | 8" | 1,360.00 |
| Second Check Repair Kits | | | |
| 0887318 | RK 990 CK2 | 4" | 464.00 |
| 0887319 | RK 990 CK2 | 6" | 857.00 |
| 0887320 | RK 990 CK2 | 8" | 1,501.00 |

Kit consists of: spring assembly and cover O-ring.

Check Rubber Parts

| ORDERING CODE | KIT NO. | SIZE | LIST PRICE |
|---------------|------------|------|------------|
| 0887321 | RK 990 RC1 | 4" | 638.00 |
| 0887322 | RK 990 RC1 | 6" | 807.00 |
| 0887313 | RK 990 RC2 | 4" | 638.00 |
| 0887314 | RK 990 RC2 | 6" | 807.00 |
| 0887323 | RK 990 RC4 | 8" | 1,030.00 |

Kit consists of: cover O-ring, two bolt O-rings and disc assembly for one check.

Seat Kits

| ORDERING CODE | KIT NO. | SIZE | LIST PRICE |
|---------------|----------|------|------------|
| 0887330 | RK 990 S | 4" | 118.50 |
| 0887331 | RK 990 S | 6" | 183.50 |
| 0887332 | RK 990 S | 8" | 233.00 |

Kit consists of: seat and seat O-ring for one check.

Complete Rubber Parts

| ORDERING CODE | KIT NO. | SIZE | LIST PRICE |
|---------------|-----------|------|------------|
| 0887333 | RK 990 RT | 4" | 1,446.00 |
| 0887334 | RK 990 RT | 6" | 1,903.00 |
| 0887335 | RK 990 RT | 8" | 2,314.00 |

Kit consists of: two cover O-rings, four bolt O-rings, two disc assemblies, one relief valve diaphragm, relief valve cover O-ring, piston O-ring, relief valve seat disc and seat O-ring.

Complete Repair Kits

| ORDERING CODE | KIT NO. | SIZE | LIST PRICE |
|---------------|----------|------|------------|
| 0887336 | RK 990 T | 4" | 1,718.00 |
| 0887337 | RK 990 T | 6" | 3,027.00 |
| 0887338 | RK 990 T | 8" | 6,118.00 |

Kit consists of: two cover O-rings, four bolt O-rings, two disc assemblies, two spring assemblies, relief valve, stem assembly, seat O-ring and cover O-ring.

Series 990RPDA

| ORDERING CODE | KIT NO. | SIZE | LIST PRICE |
|---------------------------------|----------------|------|------------|
| First Check Repair Kits | | | |
| 0887340 | RK 990RPDA CK1 | 4" | \$549.50 |
| 0887342 | RK 990RPDA CK1 | 8" | 1,360.00 |
| Second Check Repair Kits | | | |
| 0887343 | RK 990RPDA CK2 | 4" | 464.00 |
| 0887345 | RK 990RPDA CK2 | 8" | 1,501.00 |

Kit consists of: spring assembly and cover O-ring.

Check Rubber Parts

| ORDERING CODE | KIT NO. | SIZE | LIST PRICE |
|---------------|----------------|------|------------|
| 0887346 | RK 990RPDA RC1 | 4" | 638.00 |
| 0887366 | RK 990RPDA RC2 | 4" | 638.00 |
| 0887367 | RK 990RPDA RC2 | 6" | 752.50 |

Kit consists of: cover O-ring, two bolt O-ring and disc assembly for one check.

Complete Rubber Parts

| ORDERING CODE | KIT NO. | SIZE | LIST PRICE |
|---------------|---------------|------|------------|
| 0887361 | RK 990RPDA RT | 4" | 1,446.00 |
| 0887362 | RK 990RPDA RT | 6" | 1,903.00 |
| 0887363 | RK 990RPDA RT | 8" | 2,314.00 |

Kit consists of: two cover O-rings, four bolt O-rings, two disc assemblies, one relief valve diaphragm, relief valve cover O-ring, piston O-ring, relief valve seat disc and seat O-ring.

*The wetted surface of this product contacted by consumable water contains less than 0.25% of lead by weight.

Series 992

Reduced Pressure Zone Assemblies

Sizes 4" – 10"

Relief Valve Kits

Series 992

Series 992 utilizes 990 Repair Kits

When ordering specify Ordering Code, Kit No., and Valve Size.

| ORDERING CODE | KIT NO. | SIZE | LIST PRICE |
|---------------------------|-----------|---------|------------|
| Relief Valve Total | | | |
| 0887327 | RK 990 VT | 4" | \$340.50 |
| 0887328 | RK 990 VT | 6" – 8" | 340.50 |
| 0887329 | RK 990 VT | 10" | 1,126.00 |

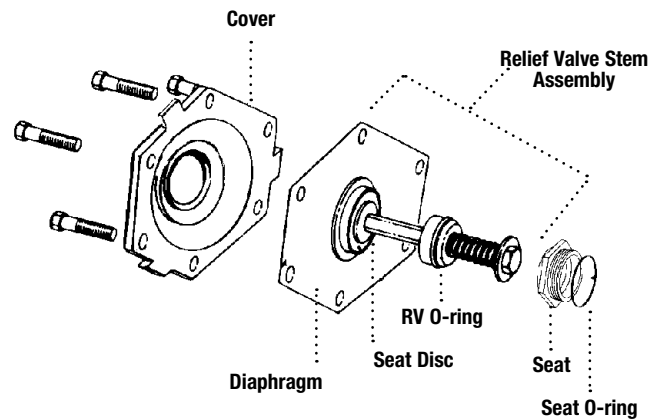
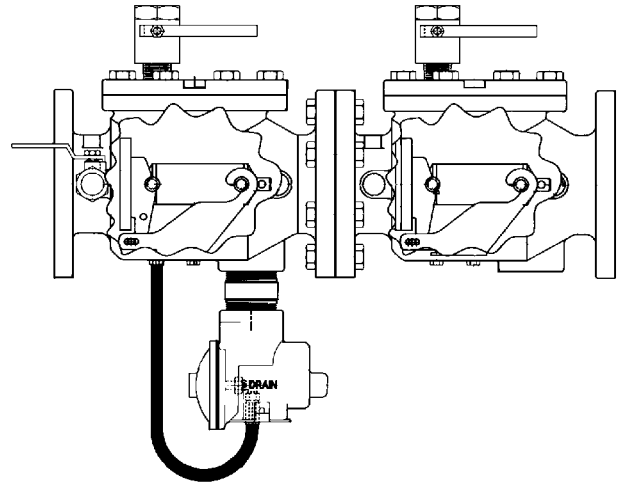
Kit consists of: relief valve stem assembly and seat O-ring.

Relief Valve Rubber Parts

| | | | |
|---------|-----------|---------|--------|
| 0887324 | RK 990 RV | 4" | 220.00 |
| 0887325 | RK 990 RV | 6" – 8" | 239.50 |
| 0887326 | RK 990 RV | 10" | 255.00 |

Kit consists of: relief valve diaphragm, piston O-rings, seat disc and seat O-ring.

Watts 990

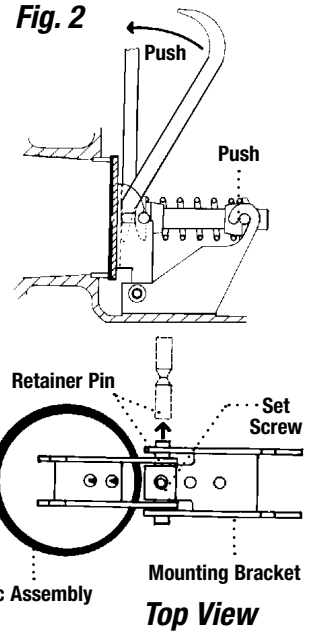
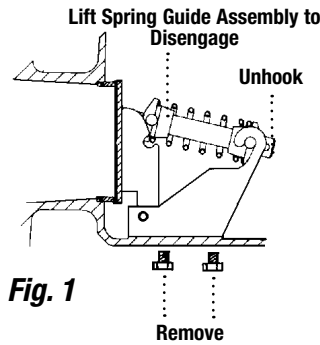
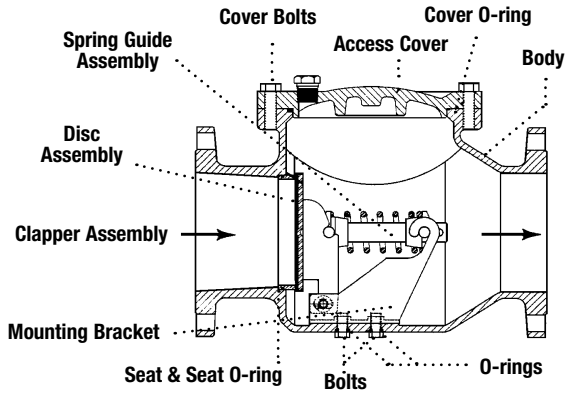


Series 992, 992RPDA

Reduced Pressure Zone Assemblies

Reduced Pressure Detector Assemblies

Sizes 4" – 10"



Check valve kits

Series 992

Series 992 utilizes 990 Repair Kits

When ordering specify Ordering Code, Kit No., and Valve Size.

| | ORDERING CODE | KIT NO. | FITS SIZES | LIST PRICE |
|---------------------------------|---------------|------------|------------|------------|
| First Check Repair Kits | | | | |
| LEAD FREE | 0887315 | RK 990 CK1 | 4" | \$549.50 |
| | 0887316 | RK 990 CK1 | 6" – 8" | 683.50 |
| | 0887317 | RK 990 CK1 | 10" | 1,360.00 |
| Second Check Repair Kits | | | | |
| LEAD FREE | 0887318 | RK 990 CK2 | 4" | 464.00 |
| | 0887319 | RK 990 CK2 | 6" – 8" | 857.00 |
| | 0887320 | RK 990 CK2 | 10" | 1,501.00 |

Kit consists of: spring assembly and cover O-ring.

Check Rubber Parts

| | ORDERING CODE | KIT NO. | FITS SIZES | LIST PRICE |
|-----------|---------------|------------|------------|------------|
| LEAD FREE | 0887321 | RK 990 RC4 | 4" | 638.00 |
| | 0887322 | RK 990 RC4 | 6" – 8" | 807.00 |
| | 0887323 | RK 990 RC4 | 10" | 1,030.00 |

Kit consists of: cover O-ring, two bolt O-rings and disc assembly for one check.

Seat Kits

| | ORDERING CODE | KIT NO. | FITS SIZES | LIST PRICE |
|--|---------------|----------|------------|------------|
| | 0887330 | RK 990 S | 4" | 118.50 |
| | 0887331 | RK 990 S | 6" – 8" | 183.50 |
| | 0887332 | RK 990 S | 10" | 233.00 |

Kit consists of: seat and seat O-ring for one check.

Complete Rubber Parts

| | ORDERING CODE | KIT NO. | FITS SIZES | LIST PRICE |
|--|---------------|-----------|------------|------------|
| | 0887333 | RK 990 RT | 4" | 1,446.00 |
| | 0887334 | RK 990 RT | 6" – 8" | 1,903.00 |
| | 0887335 | RK 990 RT | 10" | 2,314.00 |

Kit consists of: two cover O-rings, four bolt O-rings, two disc assemblies, one relief valve diaphragm, relief valve cover O-ring, piston O-ring, relief valve seat disc and seat O-ring.

Series 992RPDA

| | ORDERING CODE | KIT NO. | FITS SIZES | LIST PRICE |
|---------------------------------|---------------|----------------|------------|------------|
| First Check Repair Kits | | | | |
| LEAD FREE | 0887340 | RK 990RPDA CK1 | 4" | \$549.50 |
| | 0887342 | RK 990RPDA CK1 | 10" | 1,360.00 |
| Second Check Repair Kits | | | | |
| LEAD FREE | 0887343 | RK 990RPDA CK2 | 4" | 464.00 |
| | 0887345 | RK 990RPDA CK2 | 10" | 1,501.00 |

Kit consists of: spring assembly and cover O-ring.

Check Rubber Parts

| | ORDERING CODE | KIT NO. | FITS SIZES | LIST PRICE |
|-----------|---------------|----------------|------------|------------|
| LEAD FREE | 0887346 | RK 990RPDA RC4 | 4" | 638.00 |

Kit consists of: cover O-ring, two bolt O-ring and disc assembly for one check.

Complete Rubber Parts

| | ORDERING CODE | KIT NO. | FITS SIZES | LIST PRICE |
|--|---------------|---------------|------------|------------|
| | 0887361 | RK 990RPDA RT | 4" | 1,446.00 |
| | 0887362 | RK 990RPDA RT | 6" – 8" | 1,903.00 |
| | 0887363 | RK 990RPDA RT | 10" | 2,314.00 |

Kit consists of: two cover O-rings, four bolt O-rings, two disc assemblies, one relief valve diaphragm, relief valve cover O-ring, piston O-ring, relief valve seat disc and seat O-ring.

*The wetted surface of this product contacted by consumable water contains less than 0.25% of lead by weight.

Series 993, 993RPDA

Reduced Pressure Zone Assemblies

Reduced Pressure Detector Assemblies

4" and 6"

Relief Valve Kits

When ordering specify Ordering Code, Kit No., and Valve Size.

Series 993

| ORDERING CODE | KIT NO. | SIZE | LIST PRICE |
|----------------------------------|-----------|------|------------|
| Relief Valve Rubber Parts | | | |
| 0888045 | RK 993 RV | 4" | \$220.00 |
| 0888507 | RK 993 RV | 6" | 220.00 |

Kit consists of: relief valve diaphragm, piston O-rings, disc assembly, seat O-ring and lubricant.

Relief Valve Total

| | | | |
|---------|-----------|----|--------|
| 0888046 | RK 993 VT | 4" | 340.50 |
| 0888508 | RK 993 VT | 6" | 340.50 |

Kit consists of: relief valve stem assembly, seat O-ring, and lubricant.

Series 993RPDA

Relief Valve Rubber Parts

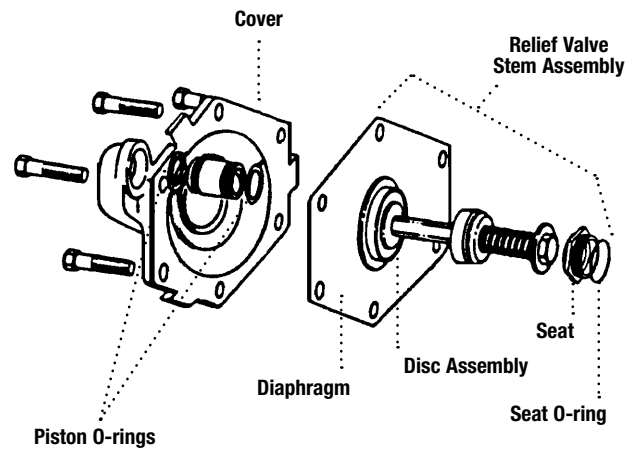
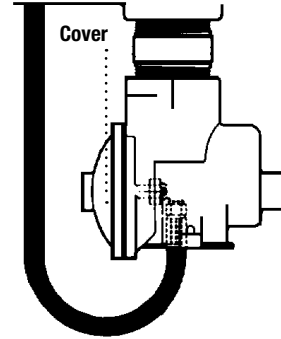
| | | | |
|---------|---------------|----|--------|
| 0888405 | RK 993RPDA RV | 4" | 220.00 |
| 0888517 | RK 993RPDA RV | 6" | 220.00 |

Kit consists of: relief valve diaphragm, piston O-rings, disc assembly, seat O-ring and lubricant.

Relief Valve Total

| | | | |
|---------|---------------|----|--------|
| 0888406 | RK 993RPDA VT | 4" | 340.50 |
| 0888518 | RK 993RPDA VT | 6" | 340.50 |

Kit consists of: relief valve stem assembly, seat O-ring, and lubricant.



Series 993, 993RPDA

Reduced Pressure Zone Assemblies

Reduced Pressure Detector Assemblies

Sizes 4" and 6"

Check valve kits

When ordering specify Ordering Code, Kit No., and Valve Size.

Series 993

| ORDERING CODE | KIT NO. | SIZE | LIST PRICE |
|---------------|---------|------|------------|
|---------------|---------|------|------------|

First Check Kits

| | | | |
|---------|------------|----|----------|
| 0888040 | RK 993 CK1 | 4" | \$678.00 |
| 0888500 | RK 993 CK1 | 6" | 1,213.00 |

Second Check Kits

| | | | |
|---------|------------|----|----------|
| 0888041 | RK 993 CK2 | 4" | 642.00 |
| 0888501 | RK 993 CK2 | 6" | 1,107.00 |

Kit consists of: disc & spring assembly, cover O-ring and lubricant.

First Check Rubber Parts Kits

| LEAD FREE | ORDERING CODE | KIT NO. | SIZE | LIST PRICE |
|-----------|---------------|------------|------|------------|
| | 0888042 | RK 993 RC1 | 4" | 98.75 |
| | 0888502 | RK 993 RC1 | 6" | 112.50 |

Second Check Rubber Parts Kits

| LEAD FREE | ORDERING CODE | KIT NO. | SIZE | LIST PRICE |
|-----------|---------------|------------|------|------------|
| | 0888043 | RK 993 RC2 | 4" | 98.75 |
| | 0888503 | RK 993 RC2 | 6" | 112.50 |

Kit consists of: disc assembly, cover O-ring and lubricant.

Seat Kit for Checks

| | | | |
|---------|----------|----|--------|
| 0888044 | RK 993 S | 4" | 232.50 |
| 0888504 | RK 993 S | 6" | 398.50 |

Kit consists of: seat, seat O-ring, cover O-ring, retainer wire and lubricant.

Total Rubber Parts Kits

| | | | |
|---------|-----------|----|--------|
| 0888048 | RK 993 RT | 4" | 417.00 |
| 0888505 | RK 993 RT | 6" | 444.50 |

Kit consists of: disc assembly, cover O-ring, sleeve O-ring, piston O-ring, RV disc assembly, diaphragm, piston seat and lubricant.

Cover Kits

| LEAD FREE | ORDERING CODE | KIT NO. | SIZE | LIST PRICE |
|-----------|---------------|----------|------|------------|
| | 0888047 | RK 993 C | 4" | 283.50 |
| | 0888506 | RK 993 C | 6" | 394.50 |

Kit consists of: cover, cover O-ring and lubricant.

Series 993RPDA

| ORDERING CODE | KIT NO. | SIZE | LIST PRICE |
|---------------|---------|------|------------|
|---------------|---------|------|------------|

First Check Kits

| | | | |
|---------|----------------|----|-------------|
| 0888510 | RK 993RPDA CK1 | 6" | \$ 1,265.00 |
|---------|----------------|----|-------------|

Second Check Kits

| | | | |
|---------|----------------|----|----------|
| 0888401 | RK 993RPDA CK2 | 4" | 642.00 |
| 0888511 | RK 993RPDA CK2 | 6" | 1,107.00 |

Kit consists of: disc & spring assembly, cover O-ring and lubricant.

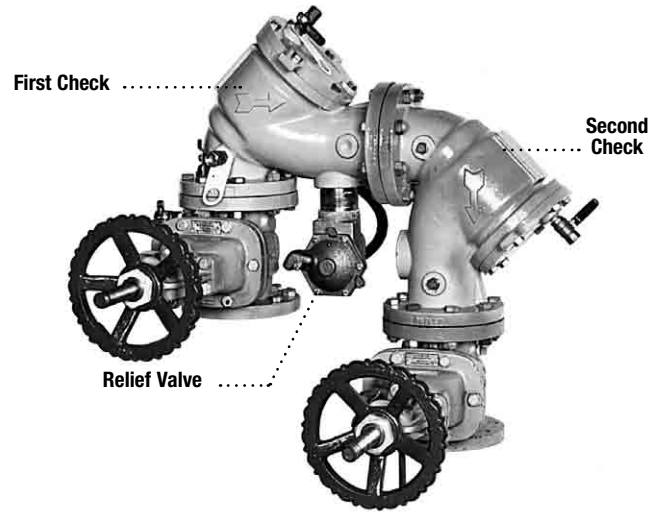
First Check Rubber Parts Kits

| LEAD FREE | ORDERING CODE | KIT NO. | SIZE | LIST PRICE |
|-----------|---------------|----------------|------|------------|
| | 0888402 | RK 993RPDA RC1 | 4" | 98.75 |
| | 0888512 | RK 993RPDA RC1 | 6" | 112.50 |

Second Check Rubber Parts Kits

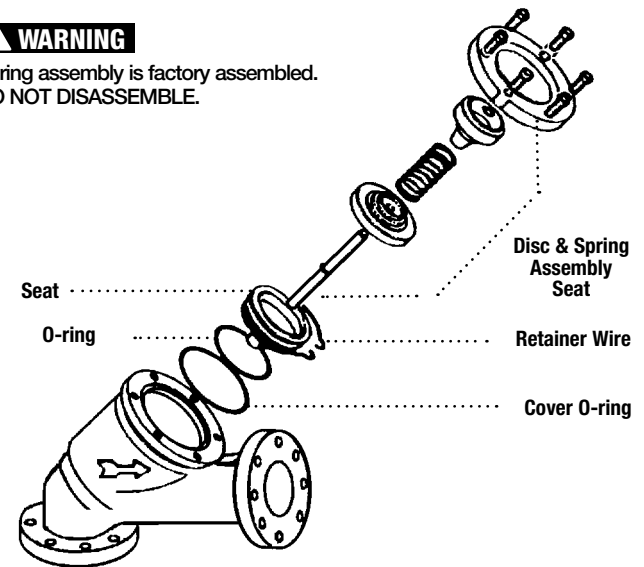
| LEAD FREE | ORDERING CODE | KIT NO. | SIZE | LIST PRICE |
|-----------|---------------|----------------|------|------------|
| | 0888403 | RK 993RPDA RC2 | 4" | 98.75 |
| | 0888513 | RK 993RPDA RC2 | 6" | 112.50 |

Kit consists of: disc assembly, cover O-ring and lubricant.



⚠ WARNING

Spring assembly is factory assembled.
DO NOT DISASSEMBLE.



| ORDERING CODE | KIT NO. | SIZE | LIST PRICE |
|---------------|---------|------|------------|
|---------------|---------|------|------------|

Seat Kit for Checks

| | | | |
|---------|--------------|----|----------|
| 0888404 | RK 993RPDA S | 4" | \$232.50 |
| 0888514 | RK 993RPDA S | 6" | 398.50 |

Kit consists of: seat, seat O-ring, cover O-ring, retainer wire and lubricant.

Total Rubber Parts Kits

| | | | |
|---------|---------------|----|--------|
| 0888408 | RK 993RPDA RT | 4" | 417.00 |
| 0888515 | RK 993RPDA RT | 6" | 444.50 |

Kit consists of: disc assembly, cover O-ring, sleeve O-ring, piston O-ring, RV disc assembly, diaphragm, piston seat and lubricant.

Cover Kits

| LEAD FREE | ORDERING CODE | KIT NO. | SIZE | LIST PRICE |
|-----------|---------------|--------------|------|------------|
| | 0888407 | RK 993RPDA C | 4" | 283.50 |
| | 0888516 | RK 993RPDA C | 6" | 394.50 |

Kit consists of: cover, cover O-ring and lubricant.

*The wetted surface of this product contacted by consumable water contains less than 0.25% of lead by weight.

Series 994, 994RPDA

Reduced Pressure Zone Assemblies

Reduced Pressure Detector Assemblies

Sizes 2 1/2" – 10"

Repair Kits

When ordering specify Ordering Code, Kit No., and Valve Size.

| ORDERING CODE | KIT NO. | SIZE | LIST PRICE |
|-------------------------|---------------------|----------------|------------|
| First Check Kits | | | |
| 0888830 | RK 994/994 RPDA CK1 | 2 1/2", 3", 4" | \$298.00 |
| 0888831 | RK 994/994 RPDA CK1 | 6" | 320.00 |
| 0888832 | RK 994/994 RPDA CK1 | 8", 10" | 1,358.00 |

Kit consists of: complete No. 1 check with check O-ring.

| ORDERING CODE | KIT NO. | SIZE | LIST PRICE |
|--------------------------|---------------------|----------------|------------|
| Second Check Kits | | | |
| 0888833 | RK 994/994 RPDA CK2 | 2 1/2", 3", 4" | 269.50 |
| 0888834 | RK 994/994 RPDA CK2 | 6" | 287.00 |
| 0888835 | RK 994/994 RPDA CK2 | 8", 10" | 828.00 |

Kit consists of: complete No. 2 check with check O-ring.

| ORDERING CODE | KIT NO. | SIZE | LIST PRICE |
|-------------------|-------------------|----------------|------------|
| Cover Kits | | | |
| 0888836 | RK 994/994 RPDA C | 2 1/2", 3", 4" | 258.50 |
| 0888837 | RK 994/994 RPDA C | 6" | 366.50 |
| 0888838 | RK 994/994 RPDA C | 8", 10" | 564.00 |

Kit consists of: cover, grooved coupler, gasket.

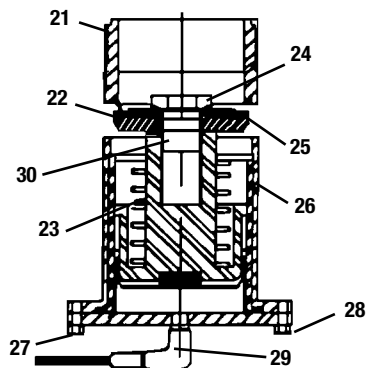
| ORDERING CODE | KIT NO. | SIZE | LIST PRICE |
|---------------------------------------|--------------------|--------------|------------|
| Relief Valve Rubber Parts Kits | | | |
| 0888839 | RK 994/994 RPDA RV | 2 1/2" – 10" | 164.50 |

Kit consists of: rubber disc, piston diaphragm assembly, disc retainer, relief valve body O-ring.

| ORDERING CODE | KIT NO. | SIZE | LIST PRICE |
|--------------------------------|--------------------|--------------|------------|
| Relief Valve Total Kits | | | |
| 0888840 | RK 994/994 RPDA VT | 2 1/2" – 10" | 1,038.00 |

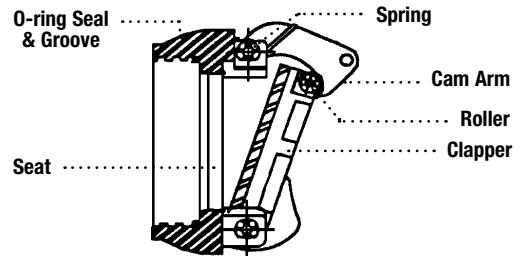
Kit consists of: body, disc, piston diaphragm assembly, hex head bolt, disc retainer, sleeve, bottom bolt, shut-off plate and bottom flange.

Use 2 1/2" – 4" repair kits for repair of 994 BLT, 994 HMB

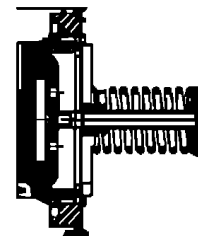


*The wetted surface of this product contacted by consumable water contains less than 0.25% of lead by weight.

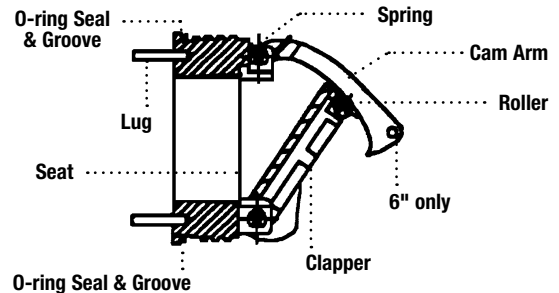
No. 1 Check 2 1/2" & 6"



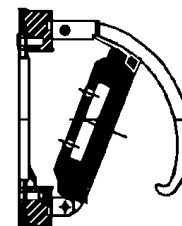
No. 1 Cam-Check 8" & 10"



No. 2 Check 2 1/2" & 6"



No. 2 Cam-Check 8" & 10"



Parts Table

| ITEM | PART DESCRIPTION | QTY. |
|------|------------------------------|------|
| 21 | Relief valve body | 1 |
| 22 | Rubber shutoff disc | 1 |
| 23 | Piston diaphragm assembly | 1 |
| 24 | Hex head bolt | 1 |
| 25 | Disc retainer | 1 |
| 26 | Sleeve | 1 |
| 27 | Bottom bolt | 1 |
| 28 | Bottom flange (w. st. elbow) | 1 |
| 29 | Bottom St. Elbow | 1 |
| 30 | O-ring disc | 1 |

Series 995

Reduced Pressure Zone Assemblies

Sizes 1/2" – 1 1/2"

Repair Kits

When ordering specify Ordering Code, Kit No., and Valve Size.

| ORDERING CODE | KIT NO. | SIZE | LIST PRICE |
|---------------|---------|------|------------|
|---------------|---------|------|------------|

First Check Kits

| | | | | |
|-----------|---------|------------|-------------|---------|
| LEAD FREE | 0888580 | RK 995 CK1 | 1/2" – 3/4" | \$33.75 |
| LEAD FREE | 0888581 | RK 995 CK1 | 1" | 61.25 |

Kit consists of: check assembly and cover O-ring.

Second Check Kits

| | | | | |
|-----------|---------|------------|-------------|-------|
| LEAD FREE | 0888582 | RK 995 CK2 | 1/2" – 3/4" | 27.75 |
| LEAD FREE | 0888583 | RK 995 CK2 | 1" | 55.75 |

Kit consists of: check assembly and cover O-ring.

First Check Rubber Parts

| | | | | |
|-----------|---------|------------|-----------------|-------|
| LEAD FREE | 0888584 | RK 995 RC1 | 1/2" – 3/4" | 11.50 |
| LEAD FREE | 0888585 | RK 995 RC1 | 1" | 11.50 |
| LEAD FREE | 0888054 | RK 995 RC1 | 1 1/4" – 1 1/2" | 15.00 |

Kit consists of: seat O-ring, disc assembly and cover O-ring.

Second Check Rubber Parts

| | | | | |
|-----------|---------|------------|-----------------|-------|
| LEAD FREE | 0888586 | RK 995 RC2 | 1/2" – 3/4" | 11.50 |
| LEAD FREE | 0888587 | RK 995 RC2 | 1" | 11.50 |
| LEAD FREE | 0888056 | RK 995 RC2 | 1 1/4" – 1 1/2" | 15.00 |

Kit consists of: seat O-ring, disc assembly and cover O-ring.

Cover Kits

| | | | | |
|-----------|---------|----------|-----------------|--------|
| LEAD FREE | 0888590 | RK 995 C | 1/2" – 3/4" | 64.00 |
| LEAD FREE | 0888591 | RK 995 C | 1" | 92.75 |
| LEAD FREE | 0888064 | RK 995 C | 1 1/4" – 1 1/2" | 124.00 |

Kit consists of: cover and cover O-ring.

Relief Valve Kits

| | | | | |
|-----------|---------|-----------|-----------------|--------|
| LEAD FREE | 0888060 | RK 995 VT | 1 1/4" – 1 1/2" | 210.50 |
|-----------|---------|-----------|-----------------|--------|

Kit consists of: seat, seat O-ring, stem and diaphragm assembly, stem O-ring, cover O-ring and relief valve spring.

Relief Valve Rubber Parts Kits

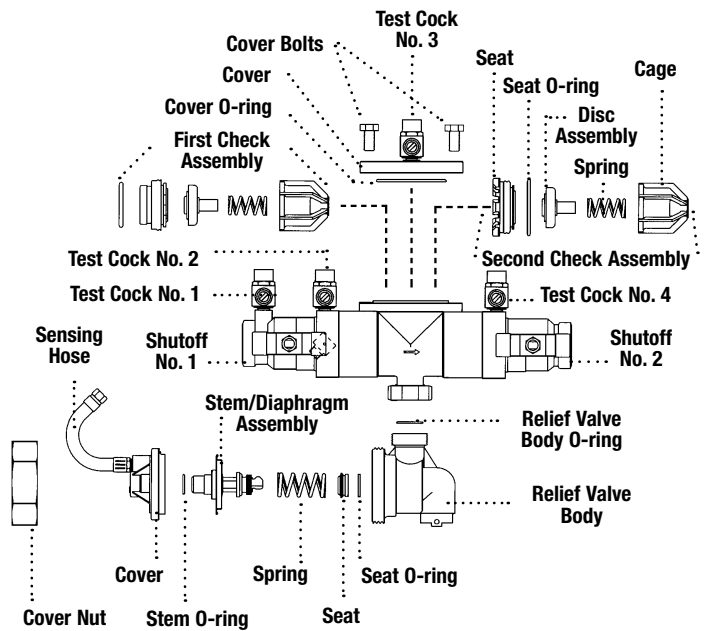
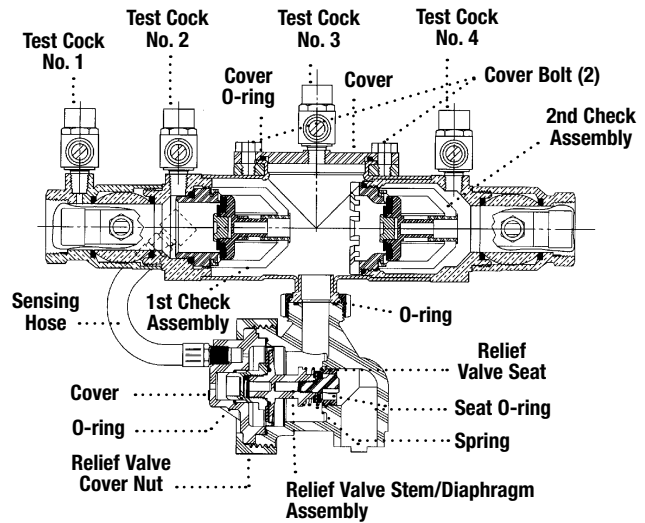
| | | | | |
|-----------|---------|-----------|-----------------|-------|
| LEAD FREE | 0888588 | RK 995 RV | 1/2" – 1" | 45.75 |
| LEAD FREE | 0888058 | RK 995 RV | 1 1/4" – 1 1/2" | 51.25 |

Kit consists of: diaphragm, disc, stem spring, seat O-ring and cover O-ring.

Total Rubber Parts Kits

| | | | | |
|-----------|---------|-----------|-----------------|-------|
| LEAD FREE | 0888592 | RK 995 RT | 1/2" – 3/4" | 65.50 |
| LEAD FREE | 0888593 | RK 995 RT | 1" | 65.50 |
| LEAD FREE | 0888062 | RK 995 RT | 1 1/4" – 1 1/2" | 82.50 |

Kit consists of: diaphragm, relief valve disc, two check valve disc assemblies, stem O-ring, cover O-ring, two check seat O-rings, relief valve seat O-ring and relief valve body O-ring.



*The wetted surface of this product contacted by consumable water contains less than 0.25% of lead by weight.

Series 995, 995RPDA

Reduced Pressure Zone Assemblies

Reduced Pressure Detector Assemblies

Sizes 3" – 6"

Repair Kits

When ordering specify Ordering Code, Kit No., and Valve Size.

| | ORDERING CODE | KIT NO. | SIZE | FOR USE W/MODEL #’S | LIST PRICE |
|--|---------------|---------|------|---------------------|------------|
|--|---------------|---------|------|---------------------|------------|

First Check Kits

| | | | | | |
|-----------|---------|---------------------|---------|----------------------|----------|
| LEAD FREE | 0888915 | RK 995/995 RPDA CK1 | 3" – 4" | 3" – 4" 995/995 RPDA | \$458.50 |
| | 0888916 | RK 995/995 RPDA CK1 | 6" | 6" 995/995 RPDA | 615.50 |

Kit consists of: complete #1 check assembly and check O-ring.

Second Check Kits

| | | | | | |
|-----------|---------|---------------------|---------|----------------------|--------|
| LEAD FREE | 0888917 | RK 995/995 RPDA CK2 | 3" – 4" | 3" – 4" 995/995 RPDA | 521.00 |
| | 0888918 | RK 995/995 RPDA CK2 | 6" | 6" 995/995 RPDA | 719.50 |

Kit consists of: complete #2 check assembly and check O-ring.

First Check Rubber Parts Kits

| | | | | | |
|-----------|---------|---------------------|---------|----------------------|-------|
| LEAD FREE | 0888923 | RK 995/995 RPDA RC1 | 3" – 4" | 3" – 4" 995/995 RPDA | 18.75 |
| | 0888924 | RK 995/995 RPDA RC1 | 6" | 6" 995/995 RPDA | 26.50 |

Kit consists of: first check assembly O-ring, check disc, and (2) C-clips.

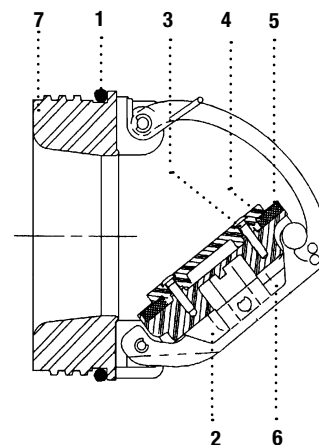
Second Check Rubber Parts Kits

| | | | | | |
|-----------|---------|---------------------|---------|----------------------|-------|
| LEAD FREE | 0888925 | RK 995/995 RPDA RC2 | 3" – 4" | 3" – 4" 995/995 RPDA | 28.75 |
| | 0888926 | RK 995/995 RPDA RC2 | 6" | 6" 995/995 RPDA | 42.25 |

Kit consists of: second check assembly O-ring, check disc, and (2) C-clips.

Parts Table

| ITEM | PART DESCRIPTION | QTY. |
|------|--|------|
| 1 | 1st Cam-Check O-ring (removable) | 1 |
| 2 | Clapper Assembly (removable) | 1 |
| 3 | Clapper Retaining Plate Screws (removable) | 4 |
| 4 | Clapper Retainer Plate (removable) | 1 |
| 5 | Clapper Disc (removable) | 1 |
| 6 | Pivot Arm Pin (removable) 2 C-clips | 1 |
| 7 | 2nd Cam-Check O-ring (removable) | 1 |



Align holes and insert pin or small screwdriver to hold in open position.

*The wetted surface of this product contacted by consumable water contains less than 0.25% of lead by weight.

Troubleshooting Guide

Reduced Pressure Zone Assemblies, Reduced Pressure Detector Assemblies

2

Reduced Pressure Zone Assemblies

| PROBLEM | CAUSE | Should valve be replaced? | SOLUTION |
|---|--|---------------------------|--|
| A. Valve spits periodically from the vent. | | | |
| | A.1 Fluctuating supply pressure. | No | A.1 Install a spring-loaded, soft seated check valve immediately upstream of the device. |
| | A.2 Fluctuating downstream pressure. | No | A.2 Install a spring-loaded, soft seated check valve downstream of the device as close as possible to the shutoff valve. |
| B. Valve drips continually from the vent. | | | |
| | B.1 Fouled first check. | No | B.1 Flush valve. If flushing does not resolve problem, disassemble valve and clean or replace the first check. |
| | B.2 Damaged or fouled relief valve seat. | No | B.2 Clean or replace the relief valve seat. |
| | B.3 Relief valve piston O-ring not free to move due to pipe scale, dirt or build-up of mineral deposits. | No | B.3 Clean, grease or replace the piston O-ring. |
| | B.4 Excessive backpressure, freezing, or water | No | B.4 Eliminate source of excessive backpressure or hammer has distorted the second check water hammer in the system downstream of the device. Use Watts Series LF601/601 to dampen out backpressure and Series LF15/15 to eliminate water hammer. Replace defective second check assembly. In case of freezing; thaw, disassemble, and inspect internal components. Replace as necessary. |
| | B.5 Electrolysis of relief valve seat or first . | No | B.5 Replace relief valve seat or inlet cover. Install check seats dielectric unions (Watts Series LF3001/3001 through LF3006/3006). Electrically ground the piping system and/or electrically isolate the device with plastic pipe immediately upstream and downstream of the device. |
| | B.6 Valve improperly reassembled. | No | B.6 If valve is disassembled during installation, caution must be exercised to install check springs in their proper location. |
| C. Valve exhibits high pressure drop. | | | |
| | C.1 Fouled strainer. | No | C.1 Clean strainer element or replace. |
| | C.2 Valve too small for flows encountered. | Yes | C.2 Install proper sized device based upon flow requirements. |
| D. No water flows downstream of valve. | | | |
| | D. Valve installed backwards. | No | D. Install valve in accordance with flow direction arrow. |
| E. Valve does not test properly. | | | |
| | E.1 Follow manufacturer's test procedure. | No | E.1, E.2 Clean or replace gate valve with full port ball valves or resilient wedge shutoff valves. |
| | E.2 Leaky downstream gate valve. | No | |
| F. Valve quickly and repeatedly fouls following servicing. | | | |
| | F. Debris in pipe line is too fine to be trapped by strainer. | No | F. Install finer mesh strainer element in the strainer. |
| G. Winterization of backflow preventers. | | | |
| | | | G. Prevent freeze damage by enclosing in a WATTSBOX heated enclosure. For additional information, send for literature ES-WB. |

Series 008, LF008, 008PC, LF008PC

Anti-Siphon, Anti-Spill Vacuum Breaker

Sizes 3/8" – 1"

Repair Kits

When ordering specify Ordering Code, Kit No., and Valve Size.

| ORDERING CODE | KIT NO. | SIZE | LIST PRICE |
|---------------|---------|------|------------|
|---------------|---------|------|------------|

Check Kits

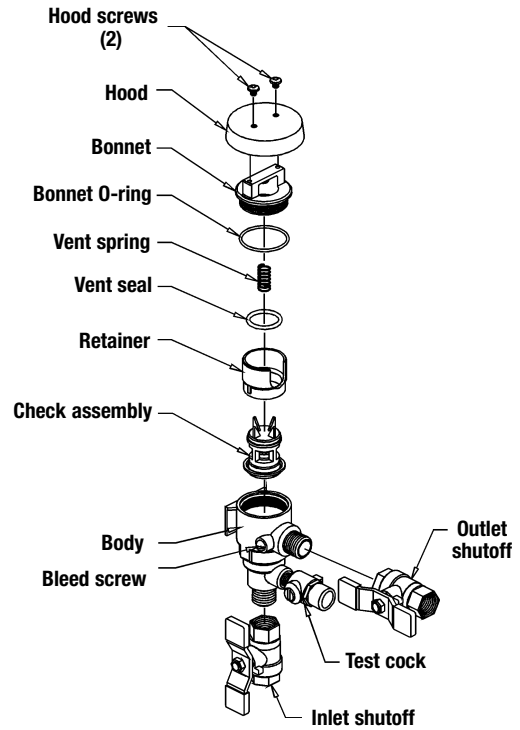
| LEAD FREE | ORDERING CODE | KIT NO. | SIZE | LIST PRICE |
|-----------|---------------|----------|------------|------------|
| | 0887972 | RK 008 T | 3/8", 1/2" | \$55.25 |
| | 0887974 | RK 008 T | 3/4" – 1" | 113.00 |

Kit consists of: check assembly, O-ring, spring, vent O-ring, bleed screw O-ring and retainer.

Bonnet Kits

| LEAD FREE | ORDERING CODE | KIT NO. | SIZE | LIST PRICE |
|-----------|---------------|----------|------------|------------|
| | 0888012 | RK 008 B | 3/8", 1/2" | 17.75 |
| | 0887973 | RK 008 B | 3/4" – 1" | 37.75 |

Kit consists of: bonnet, bonnet O-ring and vent spring.



Series 800M, 800CM

Pressure Vacuum Breaker Compact Model

Sizes 1/2" and 3/4"

Repair Kits

When ordering specify Ordering Code, Kit No., and Valve Size.

| ORDERING CODE | KIT NO. | SIZE | LIST PRICE |
|---------------|-----------|------------|------------|
| 0886043 | RK 800M C | 1/2", 3/4" | \$19.00 |

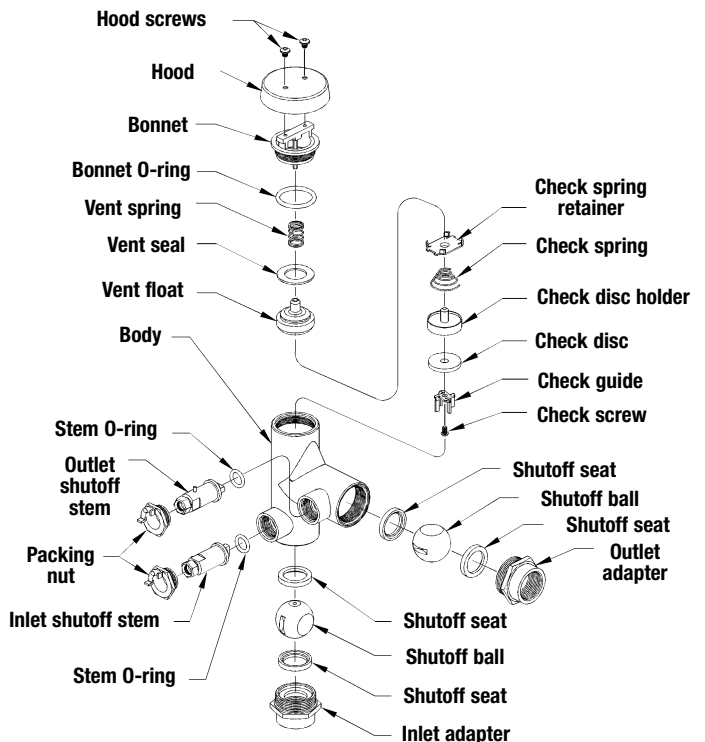
Kit consists of: brass cover (hood) and screws.

| | | | |
|---------|------------|------------|-------|
| 0886044 | RK 800CM C | 1/2", 3/4" | 22.75 |
|---------|------------|------------|-------|

Kit consists of: chrome cover (hood) and screws.

| | | | |
|---------|--------------|------------|-------|
| 0886030 | RK 800M/CM T | 1/2", 3/4" | 59.00 |
|---------|--------------|------------|-------|

Kit consists of: check disc assembly, vent float & vent seal, check spring, vent spring, bonnet assembly and hood screws.



*The wetted surface of this product contacted by consumable water contains less than 0.25% of lead by weight.

Series 800M4, LF800M4, 800M4FR, LF800M4FR

Pressure Vacuum Breaker

Sizes 1/2" – 2"

Repair Kits

When ordering specify Ordering Code, Kit No., and Valve Size.

| ORDERING CODE | KIT NO. | SIZE | LIST PRICE |
|---------------|---------|------|------------|
|---------------|---------|------|------------|

Total Repair Kits

| LEAD FREE | ORDERING CODE | KIT NO. | SIZE | LIST PRICE |
|-----------|---------------|------------|-------------|------------|
| | 0887727 | RK 800M4-T | 1/2", 3/4" | \$72.25 |
| | 0887728 | RK 800M4-T | 1" | 87.75 |
| | 0887729 | RK 800M4-T | 1 1/4" – 2" | 173.50 |

Kit consists of: check valve repair kit, vent float repair kit, bonnet assembly repair kit, seat repair kit

Check Kits

| LEAD FREE | ORDERING CODE | KIT NO. | SIZE | LIST PRICE |
|-----------|---------------|---------------|-------------|------------|
| | 0887703 | **RK 800M4 CK | 1/2", 3/4" | \$23.25 |
| | 0887704 | **RK 800M4 CK | 1" | 23.25 |
| | 0887705 | **RK 800M4 CK | 1 1/4" – 2" | 41.00 |

Kit consists of: check disc assembly (disc & disc holder), bonnet O-ring and check spring.
**Fits 800M4FR models

Vent Float Kits

| LEAD FREE | ORDERING CODE | KIT NO. | SIZE | LIST PRICE |
|-----------|---------------|------------|-------------|------------|
| | 0887709 | RK 800M4 V | 1/2", 3/4" | 10.25 |
| | 0887710 | RK 800M4 V | 1" | 10.25 |
| | 0887711 | RK 800M4 V | 1 1/4" – 2" | 37.00 |

Kit consists of: float vent disc assembly (vent float, seal & spring) and bonnet O-ring.

FR Vent Float Kits

| LEAD FREE | ORDERING CODE | KIT NO. | SIZE | LIST PRICE |
|-----------|---------------|--------------|-------------|------------|
| | 0887725 | RK 800M4 FRV | 1/2", 3/4" | 30.00 |
| | 0887715 | RK 800M4 FRV | 1" | 35.75 |
| | 0887716 | RK 800M4 FRV | 1 1/4" – 2" | 43.75 |

Kit consists of: float disc assembly, vent spring and bonnet O-ring.

Retrofit Kits (Kits to convert 800M4QT to 800M4FR)

| LEAD FREE | ORDERING CODE | KIT NO. | SIZE | LIST PRICE |
|-----------|---------------|----------------|-------------|------------|
| | 0887726 | Retro 800M4 FR | 1/2", 3/4" | 32.00 |
| | 0887718 | Retro 800M4 FR | 1" | 52.50 |
| | 0887717 | Retro 800M4 FR | 1 1/4" – 2" | 64.00 |

Kit consists of: float disc assembly, vent spring, bonnet, bonnet O-ring. (1 1/4" – 2" Kit also includes hood & screws)

Bonnet Assembly Kits

| LEAD FREE | ORDERING CODE | KIT NO. | SIZE | LIST PRICE |
|-----------|---------------|------------|-------------|------------|
| | 0887700 | RK 800M4 B | 1/2", 3/4" | 34.25 |
| | 0887701 | RK 800M4 B | 1" | 34.75 |
| | 0887702 | RK 800M4 B | 1 1/4" – 2" | 75.50 |

Kit consists of: bonnet, bonnet O-ring, vent spring, hood & hood screws.

Rubber Parts Kits

| LEAD FREE | ORDERING CODE | KIT NO. | SIZE | LIST PRICE |
|-----------|---------------|-------------|-------------|------------|
| | 0887706 | RK 800M4 RT | 1/2", 3/4" | 14.75 |
| | 0887707 | RK 800M4 RT | 1" | 15.25 |
| | 0887708 | RK 800M4 RT | 1 1/4" – 2" | 22.00 |

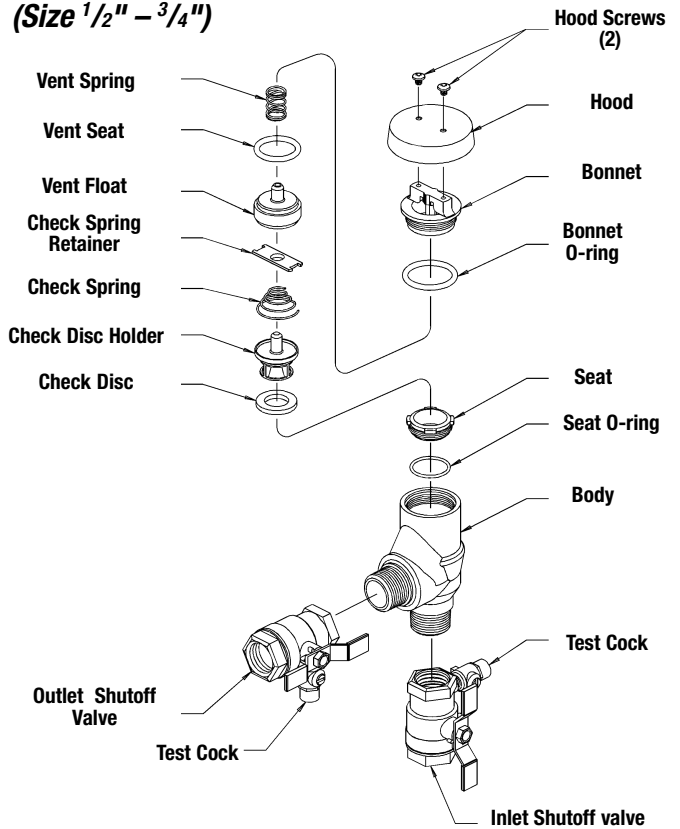
Kit consists of: vent seal, check disc and bonnet O-ring.

Seat Kits

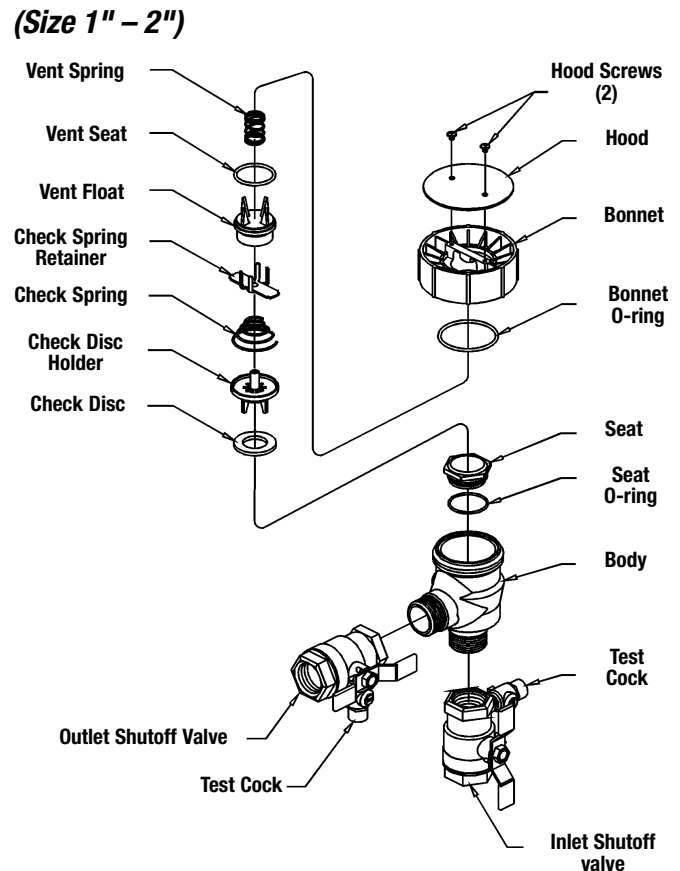
| LEAD FREE | ORDERING CODE | KIT NO. | SIZE | LIST PRICE |
|-----------|---------------|------------|-------------|------------|
| | 0887712 | RK 800M4 S | 1/2", 3/4" | 17.75 |
| | 0887713 | RK 800M4 S | 1" | 35.25 |
| | 0887714 | RK 800M4 S | 1 1/4" – 2" | 50.50 |

Kit consists of: seat, seat O-ring and bonnet O-ring.

(Size 1/2" – 3/4")



(Size 1" – 2")



*The wetted surface of this product contacted by consumable water contains less than 0.25% of lead by weight.

Series 800M3

Pressure Vacuum Breaker

Sizes 1/2" and 3/4"

Repair Kits

When ordering specify Ordering Code, Kit No., and Valve Size.

| ORDERING CODE | KIT NO. | SIZE | LIST PRICE |
|---------------|---------|------|------------|
|---------------|---------|------|------------|

Check Kits

| LEAD FREE* | 0886042 | RK 800M3 CK | 1/2", 3/4" | \$24.50 |
|------------|---------|-------------|------------|---------|
|------------|---------|-------------|------------|---------|

Kit consists of: check disc assembly (disc & disc holder), bonnet O-ring and check spring.

Vent Float Kits

| LEAD FREE* | 0886041 | RK 800M3 V | 1/2", 3/4" | 11.75 |
|------------|---------|------------|------------|-------|
|------------|---------|------------|------------|-------|

Kit consists of: float vent disc assembly (vent float, seal & spring) and bonnet O-ring.

Bonnet Assembly Kits

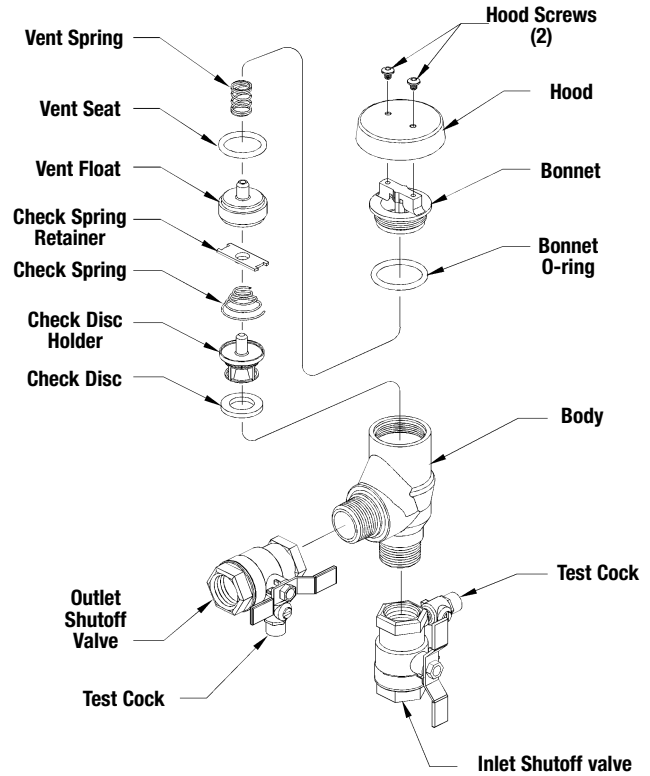
| LEAD FREE* | 0886040 | RK 800M3 B | 1/2", 3/4" | 37.00 |
|------------|---------|------------|------------|-------|
|------------|---------|------------|------------|-------|

Kit consists of: bonnet, bonnet O-ring, vent spring, hood & hood screws.

Rubber Part Kits

| LEAD FREE* | 0886039 | RK 800M3 RT | 1/2", 3/4" | 16.25 |
|------------|---------|-------------|------------|-------|
|------------|---------|-------------|------------|-------|

Kit consists of: vent seal, check disc and bonnet O-ring.



Series 800M2

Pressure Vacuum Breaker

Sizes 1/2" – 2"

Repair Kits

When ordering specify Ordering Code, Kit No., and Valve Size.

| ORDERING CODE | KIT NO. | SIZE | LIST PRICE |
|---------------|---------|------|------------|
|---------------|---------|------|------------|

Check Kits

| LEAD FREE* | 0886037 | RK 800M2 CK | 1/2" – 1" | \$24.50 |
|------------|---------|-------------|-------------|---------|
| | 0886038 | RK 800M2 CK | 1 1/4" – 2" | 43.50 |

Kit consists of: check disc assembly (disc & holder), bonnet O-ring and check spring.

Vent Float Kits

| LEAD FREE* | 0886035 | RK 800M2 V | 1/2" – 1" | 11.75 |
|------------|---|------------|-------------|-------|
| | 0886036 <th>RK 800M2 V</th> <th>1 1/4" – 2"</th> <th>28.50</th> | RK 800M2 V | 1 1/4" – 2" | 28.50 |

Kit consists of: float vent disc assembly (vent float, seal & spring) and bonnet O-ring.

Bonnet Assembly Kits

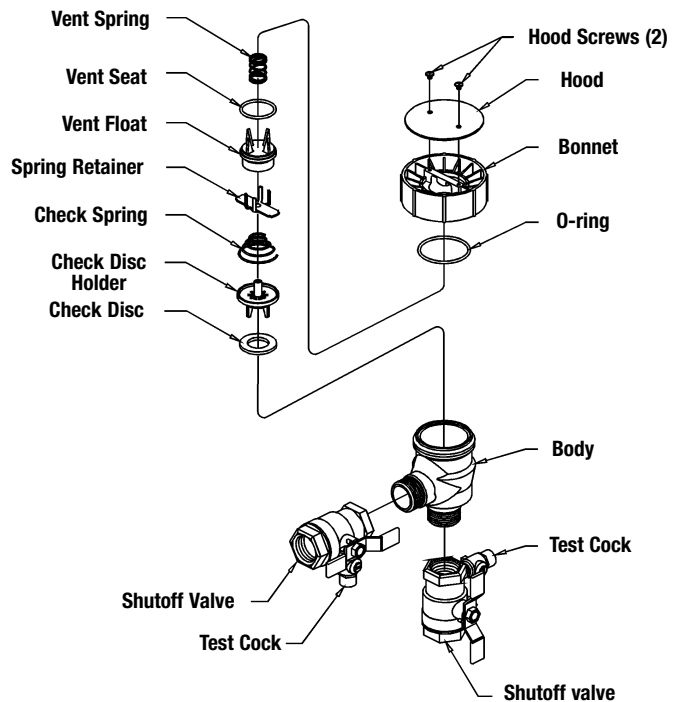
| LEAD FREE* | 0886033 | RK 800M2 B | 1/2" – 1" | 37.00 |
|------------|---|------------|-------------|-------|
| | 0886034 <th>RK 800M2 B</th> <th>1 1/4" – 2"</th> <th>81.50</th> | RK 800M2 B | 1 1/4" – 2" | 81.50 |

Kit consists of: bonnet, bonnet O-ring, vent spring, hood & hood screws.

Rubber Parts Kits

| LEAD FREE* | 0886031 | RK 800M2 RT | 1/2" – 1" | 17.00 |
|------------|--|-------------|-------------|-------|
| | 0886032 <th>RK 800M2 RT</th> <th>1 1/4" – 2"</th> <th>24.00</th> | RK 800M2 RT | 1 1/4" – 2" | 24.00 |

Kit consists of: vent seal, check disc and bonnet O-ring.



*The wetted surface of this product contacted by consumable water contains less than 0.25% of lead by weight.

Series 800

Pressure Vacuum Breaker

Sizes 1/2" – 2"

Repair Kits

When ordering specify Ordering Code, Kit No., and Valve Size.

| ORDERING CODE | KIT NO. | SIZE | LIST PRICE |
|-------------------|-----------|-------------|------------|
| Check Kits | | | |
| 0886027 | RK 800 CK | 1/2" – 1" | \$43.75 |
| 0886028 | RK 800 CK | 1 1/4" – 2" | 116.00 |

Kit consists of: check disc assembly (disc holder, disc, washer, guide and screw), bonnet O-ring and check spring.

Vent Float Kits

| LEAD FREE | ORDERING CODE | KIT NO. | SIZE | LIST PRICE |
|-----------|---------------|----------|-------------|------------|
| | 0886025 | RK 800 V | 1/2" – 1" | 43.75 |
| | 0886026 | RK 800 V | 1 1/4" – 2" | 160.50 |

Kit consists of: float vent disc assembly and bonnet O-ring.

Bonnet Kits

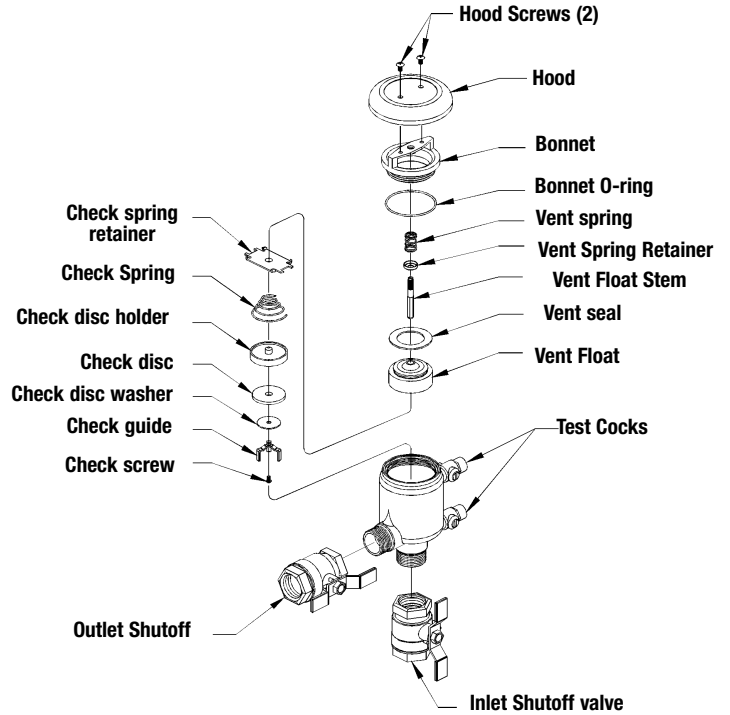
| LEAD FREE | ORDERING CODE | KIT NO. | SIZE | LIST PRICE |
|-----------|---------------|----------|-------------|------------|
| | 0886023 | RK 800 B | 1/2" – 1" | 90.75 |
| | 0886024 | RK 800 B | 1 1/4" – 2" | 158.00 |

Kit consists of: bonnet, vent float stem, vent retainer, spring and bonnet O-ring.

Rubber Parts Kits

| LEAD FREE | ORDERING CODE | KIT NO. | SIZE | LIST PRICE |
|-----------|---------------|-----------|-------------|------------|
| | 0886021 | RK 800 RT | 1/2" – 1" | 38.50 |
| | 0886022 | RK 800 RT | 1 1/4" – 2" | 63.75 |

Kit consists of: vent seal, check disc and bonnet O-ring.

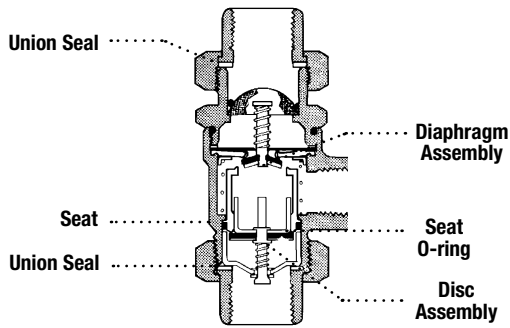


*The wetted surface of this product contacted by consumable water contains less than 0.25% of lead by weight.

Repair Kits

When ordering specify Ordering Code, Kit No., and Valve Size.

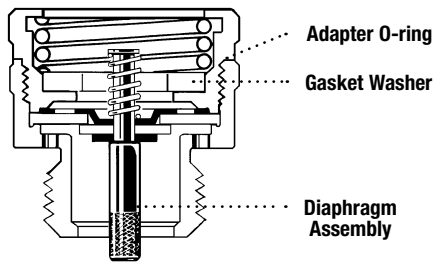
Series 9D



| ORDERING CODE | KIT NO. | SIZE | LIST PRICE |
|---------------|-----------|-------------|------------|
| 0886010 | RK 9DM2 T | 1/2" - 3/4" | \$46.25 |
| 0886011 | RK 9DM3 T | 1/2" | 43.50 |

Kit consists of: diaphragm assembly, disc assembly, seat, seat O-ring and two union seals

Series 8A, NF8

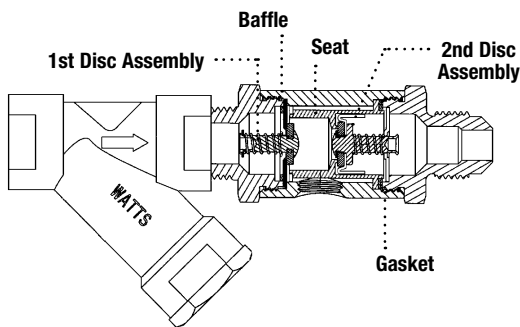


| ORDERING CODE | KIT NO. | SIZE | LIST PRICE |
|---------------|----------|------|------------|
| 0886013 | RK 8A T | 3/4" | \$12.50 |
| 0886014 | RK NF8 T | 3/4" | 12.50 |

8A Kit consists of: diaphragm assembly, gasket washer and one O-ring

NF8 Kit consists of: diaphragm assembly, gasket washer and three O-rings (adapter O-ring and two sleeve O-rings)

SD3

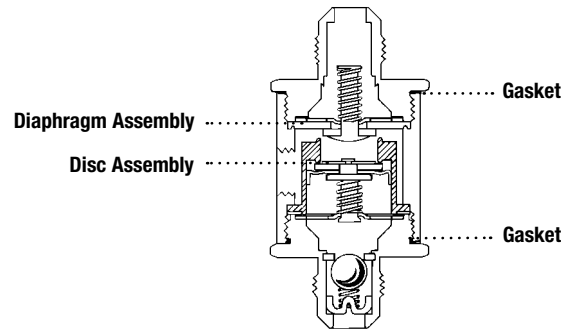


| ORDERING CODE | KIT NO. | SIZE | LIST PRICE |
|---------------|----------|------------|------------|
| 0888556 | RK SD3-T | 1/4", 3/8" | \$44.25 |

Kit consists of: 1st & 2nd disc assemblies, baffle, seat and gasket

*The wetted surface of this product contacted by consumable water contains less than 0.25% of lead by weight.

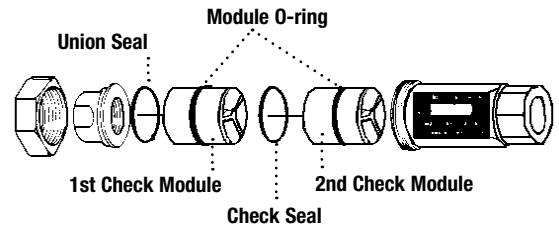
Series 9BD



| ORDERING CODE | KIT NO. | SIZE | LIST PRICE |
|---------------|----------|------------|------------|
| 0886012 | RK 9BD T | 1/4", 3/8" | \$44.25 |

Kit consists of: diaphragm assembly, disc assembly and two gaskets

Series 7, LF7



| ORDERING CODE | KIT NO. | SIZE | LIST PRICE |
|---------------|------------|---------------|------------|
| 0886015 | RK 7/CU7 T | 1/2" - 1 1/4" | \$27.50 |
| 0886009 | RK 7/7C T | 3/8" | 27.50 |
| 0886016 | RK 7B T | 3/4" | 39.75 |
| 0886017 | RK 07S T | 1" | 59.25 |

Kit consists of: first and second check modules, two module O-rings, union seal and check seal.

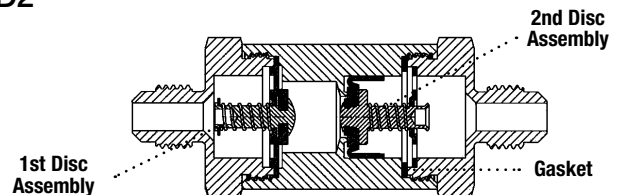
*Kit consists of: two disc assemblies, two springs, two cover seal O-rings and two union O-rings.

Series N9, LFN9, NLF9, N9-CD, 912HP

| ORDERING CODE | KIT NO. | SIZE | LIST PRICE |
|---------------|--------------|------------|------------|
| 0886019 | RK N9/NLF9 T | 1/4", 3/8" | \$25.25 |
| 0886004 | RK N9-CDT | 3/4" | 28.25 |
| 0886008 | RK 912HP T | 3/4" - 1" | 58.00 |

Kit No. N9, NLF9 consists of: diaphragm assembly, disc assembly and gasket

SD2



| ORDERING CODE | KIT NO. | SIZE | LIST PRICE |
|---------------|----------|------------|------------|
| 0888555 | RK SD2-T | 1/4", 3/8" | \$42.00 |

Kit includes: 1st & 2nd disc assemblies, and gasket

Series 188A, 288A, LF288A, 289, LF289 388ASC, N388, LFN388

Repair Kits

When ordering specify Ordering Code, Kit No., and Valve Size.

| ORDERING CODE | KIT NO. | SIZE | LIST PRICE |
|---------------|---------|------|------------|
|---------------|---------|------|------------|

188A/288A/388ASC

| LEAD FREE | ORDERING CODE | KIT NO. | SIZE | LIST PRICE |
|-----------|---------------|--------------------|-------------|------------|
| | 0887170 | RK 188A/288A/388 T | 1/4" - 3/8" | \$15.25 |
| | 0887171 | RK 188A/288A/388 T | 1/2" | 24.50 |
| | 0887172 | RK 188A/288A/388 T | 3/4" - 1" | 24.50 |
| | 0887173 | RK 188A/288A/388 T | 1 1/4" | 35.25 |
| | 0887174 | RK 188A/288A/388 T | 1 1/2" | 88.00 |
| | 0887175 | RK 188A/288A/388 T | 2" | 132.50 |
| | 0887176 | RK 188A/288A/388 T | 2 1/2" - 3" | 227.00 |

for 288A's with bell shaped hood

| LEAD FREE | ORDERING CODE | KIT NO. | SIZE | LIST PRICE |
|-----------|---------------|-------------|-------------|------------|
| | 0887164 | RK 288AZ1 T | 1/4" - 3/8" | 32.25 |
| | 0887165 | RK 288AZ1 T | 1/2" | 41.50 |
| | 0887166 | RK 288AZ1 T | 3/4" | 43.25 |

Kit consists of: disc assembly (includes disc and disc float) and bonnet O-ring.

289

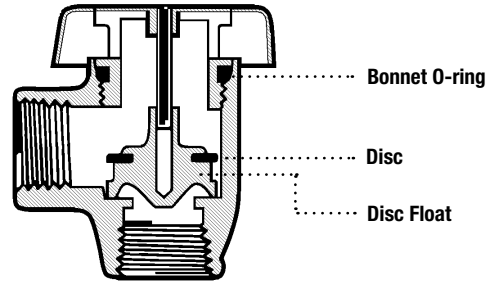
| LEAD FREE | ORDERING CODE | KIT NO. | SIZE | LIST PRICE |
|-----------|---------------|----------|-------------|------------|
| | 0887177 | RK 289 T | 3/8" - 1/2" | 55.25 |
| | 0887179 | RK 289 T | 3/4" - 1" | 113.00 |

Kit consists of: check assembly, vent spring, retainer and bonnet O-ring.

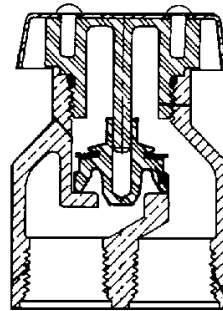
| LEAD FREE | ORDERING CODE | KIT NO. | SIZE | LIST PRICE |
|-----------|---------------|----------|-------------|------------|
| | 0887178 | RK 289 B | 3/8" - 1/2" | 17.75 |
| | 0887196 | RK 289 B | 3/4" - 1" | 37.75 |

Kit consists of: bonnet, bonnet O-ring and vent spring.

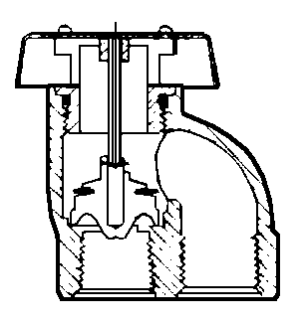
188A/288A/LF288A



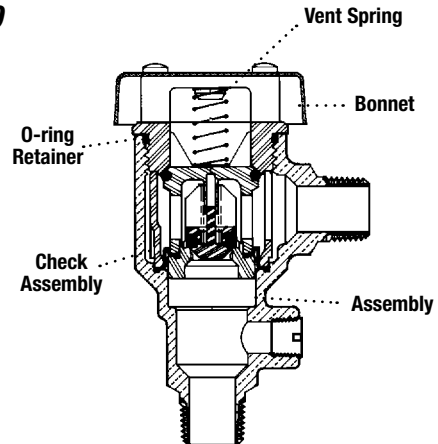
N388/LFN388



388ASC



289/LF289



*The wetted surface of this product contacted by consumable water contains less than 0.25% of lead by weight.

Accessories/Auxiliary Equipment

When ordering specify Ordering Code, Kit No., and Valve Size.

| ORDERING CODE | KIT NO. | SIZE | LIST PRICE |
|---------------|---------|------|------------|
|---------------|---------|------|------------|

Flanged Accessory Kits

| ORDERING CODE | KIT NO. | SIZE | LIST PRICE |
|---------------|-------------------|-------------|------------|
| 0885020 | AK FLGE 709-909** | 2 1/2" | \$43.75 |
| 0885021 | AK FLGE 709-909** | 3" | 46.50 |
| 0885022 | AK FLGE 709-909** | 4" | 93.50 |
| 0885023 | AK FLGE 709-909** | 6" | 141.00 |
| 0885024 | AK FLGE 709-909** | 8" | 263.00 |
| 0885025 | AK FLGE 709-909** | 10" | 492.00 |
| 0885026 | AK FLGE 007-009** | 2 1/2" - 3" | 50.25 |

Kits consist of: 2 gaskets; 8 nuts and bolts.

**Also used for 770 - 990

Strainer Kits

| ORDERING CODE | KIT NO. | SIZE | LIST PRICE |
|---------------|---------------|--------|------------|
| 0792500 | LFAK Strainer | 1/2" | 134.50 |
| 0792501 | LFAK Strainer | 3/4" | 142.00 |
| 0792502 | LFAK Strainer | 1" | 169.50 |
| 0792503 | LFAK Strainer | 1 1/4" | 213.50 |
| 0792504 | LFAK Strainer | 1 1/2" | 292.00 |
| 0792505 | LFAK Strainer | 2" | 413.00 |

Kits consist of: strainer assembly; 1 nipple and pipe plug.

Test Cocks

| ORDERING CODE | KIT NO. | SIZE | LIST PRICE |
|---------------|---------------------------|-------------------|------------|
| 0006628 | 1/8 EZ-TC SS | 1/2"-1" | 77.00 |
| 0792001 | 1/8 LFNPT-TC | | 37.25 |
| 0792000 | 1/4 LFTC | 1 1/4" - 2" | 48.50 |
| 0006903 | 1/8 SAE-TC Adapter | 1/4" - 7/16" | 46.50 |
| 0792002 | 1/8 LFSAE-TC | | 47.25 |
| 0888845 | RK SAE-TC | 1/4" - 1" | 21.50 |
| 0888846 | RK-TC-P 1/8-1/4 | cap & tether only | 1.25 |
| 0006902 | 1/8 SAE-TC Brass Cap | | 3.75 |
| 0792520 | LF1/2 TC 757/957 | 2 1/2" - 4" | 91.00 |
| 0792521 | LF3/4 TC 757/957 | 6" - 10" | 94.25 |
| 0792522 | LFRK TC#3 757/957 | 2 1/2" - 4" | 108.00 |
| 0792523 | LFRK TC#3 757/957 | 6" - 10" | 108.00 |
| 0792524 | LFFBV-M 1/2 709/909 | 2 1/2" - 4" | 61.75 |
| 0792525 | LF 3/4 TC LFFBV-M 709/909 | 6" - 10" | 77.00 |

| ORDERING CODE | KIT NO. | SIZE | LIST PRICE |
|---------------|---------|------|------------|
|---------------|---------|------|------------|

Air gaps

| | | | |
|---------|--------------------------|--|---------|
| 0881399 | 909-AGA | 1/4" - 1/2" 009, 1/2" - 1" 995 3/4" 009M2/M3 | \$72.75 |
| 0881376 | 909-AGC | 3/4", 1" 009/909 1 1/4"-1 1/2" 009M2 1 1/4"-2" 995 | 83.75 |
| 0881378 | 909-AGF | 1 1/4" - 2" 009M1, 2" 009M2 1 1/4" - 3" 009/909 4" - 6" 990 | 164.00 |
| 0881385 | 909-AGK | 4" - 6" 909, 8" - 10" 909M1 8" 990 | 322.50 |
| 0881387 | 909-AGM | 8" - 10" 909 | 322.50 |
| 0881576 | 919 AGC | 3/4" - 1" | 90.00 |
| 0881577 | 919 AGF | 1 1/4" - 2" | 164.00 |
| 0111764 | 957-AG | 2 1/2" - 10" 957 | 212.50 |
| 0111815 | 957-AG Splash Guard Only | 4" - 10" | 70.50 |
| 0881397 | 994-AGKP | 2 1/2" - 10" 994 | 234.00 |
| 0439190 | 995-AG | 3" - 6" 995 | 195.50 |

*The wetted surface of this product contacted by consumable water contains less than 0.25% of lead by weight.

| ORDERING CODE | KIT NO. | SIZE | LIST PRICE |
|---------------|---------|------|------------|
|---------------|---------|------|------------|

Elbows

| | | | |
|---------|--------------------|--|---------|
| 0881370 | 909-ELA | 1/4" - 1/2" 009 3/4" 009M2/M3 | \$51.75 |
| 0881380 | 909-ELC | 3/4" - 1" 009/909, 1 1/4" - 1 1/2" 009M2 | 56.00 |
| 0881382 | 909-ELF (vertical) | 1 1/4" - 2" 009M1, 2" 009M2, 4" - 6" 990 | 108.00 |
| 0881384 | 909-ELH (vertical) | 2 1/2" - 3" 009/909 | 325.50 |
| 0881396 | 994-ELF (vertical) | 2 1/2" - 10" 994 | 635.00 |

Plastic Retainer

| | | | |
|---------|--------------|-----------|-------|
| 0887365 | RK 009 RET-P | 3/4" - 1" | 18.25 |
|---------|--------------|-----------|-------|

For use on 3/4" and 1" 009 and 007 series.

Hose Assembly Kit (sensing line)

| | | | |
|---------|----------------------|-------------|--------|
| 0881486 | AK 909 Hose Assembly | 2 1/2" - 4" | 151.50 |
| 0881487 | AK 909 Hose Assembly | 6" - 8" | 168.00 |
| 0881488 | AK 909 Hose Assembly | 10" | 180.50 |
| 0882723 | AK 994 Hose Assembly | 2 1/2" - 6" | 160.00 |
| 0882724 | AK 994 Hose Assembly | 8" - 10" | 174.00 |
| 0882725 | AK 995 Hose Assembly | 3" - 6" | 168.00 |

TK9A - Test Kit Replacement Parts

| | | | |
|---------|-----------|-----------------|----------|
| 0833389 | SATK9Y37 | Needle Valve | 359.00 |
| 0834046 | TK9Z160-1 | Gauge Only | 1,326.00 |

To order repair part, for gauge or to get information on TK9A and TK99E contact: Orange Research Inc. 140 Cascade Blvd. Milford, CT 06460 (203) 877-5657.

Lube

| | | | |
|---------|------------|----------|-------|
| 0886020 | RK009 Lube | Six Pack | 40.00 |
|---------|------------|----------|-------|

NOTICE

The use of other lubricant types may cause swelling or accelerated deterioration of the rubber parts.

NOTICE

RK009 Lube should be used when repairing Series 909.

Replacement Shutoff Valves

When ordering specify Ordering Code, Kit No., and Valve Size.

| ORDERING CODE | KIT NO. | SIZE | LIST PRICE |
|-----------------------|------------------|--------|------------|
| Shutoff Valves | | | |
| 0701208 | NRS-RW GATE | 2 1/2" | \$826.50 |
| 0701209 | NRS-RW GATE | 3" | 815.50 |
| 0701210 | NRS-RW GATE | 4" | 1,042.00 |
| 0701211 | NRS-RW GATE | 6" | 1,771.00 |
| 0701212 | NRS-RW GATE | 8" | 2,628.00 |
| 0701213 | NRS-RW GATE | 10" | 4,405.00 |
| 0701196 | NRS-RW GATE-TC | 2 1/2" | 661.00 |
| 0701198 | NRS-RW GATE-TC | 3" | 951.00 |
| 0701201 | NRS-RW GATE-TC | 4" | 1,136.00 |
| 0701203 | NRS-RW GATE-TC | 6" | 1,800.00 |
| 0701205 | NRS-RW GATE-TC | 8" | 2,860.00 |
| 0701207 | NRS-RW GATE-TC | 10" | 5,034.00 |
| 0701214 | OSY-RW GATE | 2 1/2" | 1,075.00 |
| 0701215 | OSY-RW GATE | 3" | 1,104.00 |
| 0701216 | OSY-RW GATE | 4" | 1,338.00 |
| 0701217 | OSY-RW GATE | 6" | 2,281.00 |
| 0701218 | OSY-RW GATE | 8" | 2,506.00 |
| 0701116 | OSY-RW GATE-TC | 2 1/2" | 1,007.00 |
| 0701126 | OSY-RW GATE-TC | 3" | 1,162.00 |
| 0701136 | OSY-RW GATE-TC | 4" | 1,456.00 |
| 0701146 | OSY-RW GATE-TC | 6" | 2,085.00 |
| 0701156 | OSY-RW GATE-TC | 8" | 3,526.00 |
| 0701166 | OSY-RW GATE-TC | 10" | 6,651.00 |
| 0701350 | 405NRS FLG x GRV | 2 1/2" | 850.00 |
| 0701351 | 405NRS FLG x GRV | 3" | 898.50 |
| 0701352 | 405NRS FLG x GRV | 4" | 1,116.00 |
| 0701353 | 405NRS FLG x GRV | 6" | 1,819.00 |
| 0701354 | 405NRS FLG x GRV | 8" | 2,890.00 |
| 0701355 | 405NRS FLG x GRV | 10" | 3,924.00 |

| ORDERING CODE | KIT NO. | SIZE | LIST PRICE |
|-----------------------|-------------|--------|------------|
| Shutoff Valves | | | |
| 0702360 | BFG | 2 1/2" | 672.00 |
| 0702361 | BFG | 3" | 739.50 |
| 0702362 | BFG | 4" | 896.00 |
| 0702363 | BFG | 6" | 1,428.00 |
| 0702364 | BFG | 8" | 2,415.00 |
| 0792506 | LFFBV-TH | 1/2" | 45.50 |
| 0792507 | LFFBV-TH | 3/4" | 73.25 |
| 0792508 | LFFBV-TH | 1" | 115.00 |
| 0792512 | LFFBV-TC-TH | 1/2" | 51.25 |
| 0792513 | LFFBV-TC-TH | 3/4" | 76.50 |
| 0792514 | LFFBV-TC-TH | 1" | 119.50 |
| 0792509 | LFFBV | 1 1/4" | 175.00 |
| 0792510 | LFFBV | 1 1/2" | 224.00 |
| 0792511 | LFFBV | 2" | 391.50 |
| 0792515 | LFFBV-TC | 1 1/4" | 177.00 |
| 0792516 | LFFBV-TC | 1 1/2" | 227.00 |
| 0792517 | LFFBV-TC | 2" | 395.50 |

Gate Valve Packs

| ORDERING CODE | KIT NO. | SIZE | LIST PRICE |
|---------------|-------------------------|------|------------|
| 0702410 | OSY/PIV Gate Valve Pack | 3" | \$2,777.00 |
| 0702411 | OSY/PIV Gate Valve Pack | 4" | 2,934.00 |
| 0702412 | OSY/PIV Gate Valve Pack | 6" | 4,248.00 |
| 0702413 | OSY/PIV Gate Valve Pack | 8" | 9,485.00 |
| 0702414 | OSY/PIV Gate Valve Pack | 10" | 15,134.81 |

Pack includes: 1 OSY Flg x Flg gate valve, 1 PIV gate valve, 1 test cock & nipple, 2 flanges & gasket and bolts

*The wetted surface of this product contacted by consumable water contains less than 0.25% of lead by weight.

5

Accessory / Auxiliary Equipment

Replacement Handle Kits

When ordering specify Ordering Code, Kit No., and Valve Size.

| ORDERING CODE | KIT NO. | SIZE | LIST PRICE |
|--------------------|--------------------------|--------|------------|
| Handle Kits | | | |
| 0899335 | 405-RW-HK (NRS) | 2 1/2" | \$82.75 |
| 0899337 | 405-RW-HK (NRS) | 3" | 82.75 |
| 0899339 | 405-RW-HK (NRS) | 4" | 148.50 |
| 0899341 | 405-RW-HK (NRS) | 6" | 231.00 |
| 0899343 | 405-RW-HK (NRS) | 8" | 296.00 |
| 0899345 | 405-RW-HK (NRS) | 10" | 416.00 |
| 0889618 | NRS-RW-HK (DOMESTIC NRS) | 2 1/2" | 167.50 |
| 0889619 | NRS-RW-HK (DOMESTIC NRS) | 3" | 275.50 |
| 0889620 | NRS-RW-HK (DOMESTIC NRS) | 4" | 370.00 |
| 0889621 | NRS-RW-HK (DOMESTIC NRS) | 6" | 396.00 |
| 0889622 | NRS-RW-HK (DOMESTIC NRS) | 8" | 625.50 |
| 0889623 | NRS-RW-HK (DOMESTIC NRS) | 10" | 791.50 |
| 0701250 | 408-RW-HK-F (OSY) | 2" | 233.00 |
| 0889640 | 408-RW-HK-F (OSY) | 2 1/2" | 266.50 |
| 0889641 | 408-RW-HK-F (OSY) | 3" | 414.00 |
| 0889642 | 408-RW-HK-F (OSY) | 4" | 477.00 |
| 0889644 | 408-RW-HK-F (OSY) | 8" | 776.00 |
| 0889645 | 408-RW-HK-F (OSY) | 10" | 1,112.00 |
| 0889612 | 408-RW-HK (DOMESTIC OSY) | 2 1/2" | 266.50 |
| 0889613 | 408-RW-HK (DOMESTIC OSY) | 3" | 414.00 |
| 0889614 | 408-RW-HK (DOMESTIC OSY) | 4" | 477.00 |
| 0889615 | 408-RW-HK (DOMESTIC OSY) | 6" | 649.50 |
| 0889616 | 408-RW-HK (DOMESTIC OSY) | 8" | 776.00 |
| 0889617 | 408-RW-HK (DOMESTIC OSY) | 10" | 1,112.00 |

Packing Gland Kit

| | | | |
|---------|-------------------|--------|-------|
| 0899336 | RK 405-PkingGland | 2 1/2" | 16.75 |
| 0899338 | RK 405-PkingGland | 3" | 16.75 |
| 0899340 | RK 405-PkingGland | 4" | 30.00 |
| 0899342 | RK 405-PkingGland | 6" | 46.50 |
| 0899344 | RK 405-PkingGland | 8" | 59.25 |
| 0899346 | RK 405-PkingGland | 10" | 83.25 |

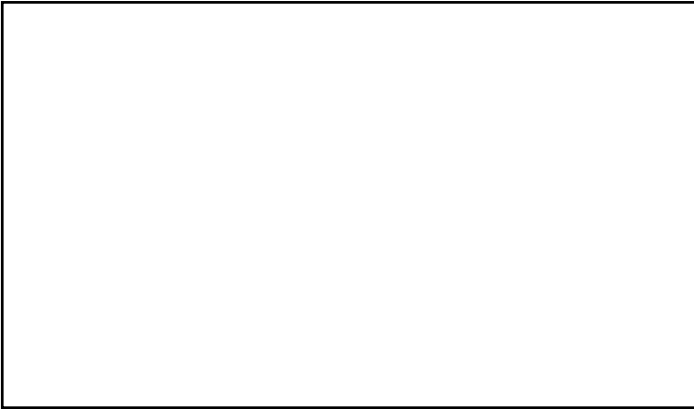
Pack includes: bonnet O-ring, stem O-ring, dust ring, stuffing box.

Notes

Notes

To locate your nearest Watts representative, please click on our *find a sales rep* locator on watts.com.

Represented by:



USA: T: (978) 689-6066 • F: (978) 975-8350 • Watts.com
Canada: T: (905) 332-4090 • F: (905) 332-7068 • Watts.ca
Latin America: T: (52) 81-1001-8600 • Watts.com