



T&S BRASS AND BRONZE WORKS, INC.

2 Saddleback Cove / P.O. Box 1088
Travelers Rest, SC 29690



REG. #A2601
ISO #9001

Model No.

BL-5705-01

Item No.

Travelers Rest, SC: 800-476-4103 • Simi Valley, CA: 800-423-0150 • Fax: 864-834-3518 • www.tsbrass.com

This Space for Architect/Engineer Approval

Job Name _____ Date _____

Model Specified _____ Quantity _____

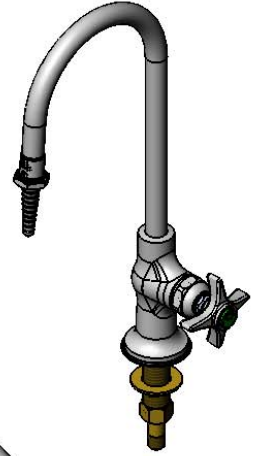
Customer/Wholesaler _____

Contractor _____

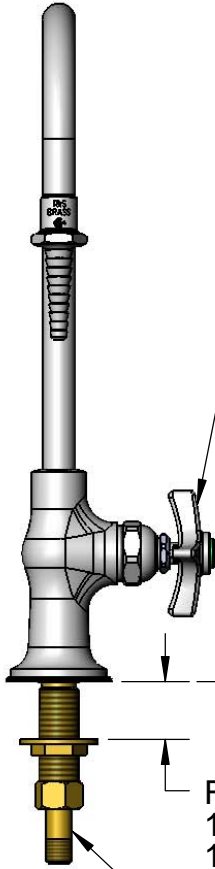
Architect/Engineer _____



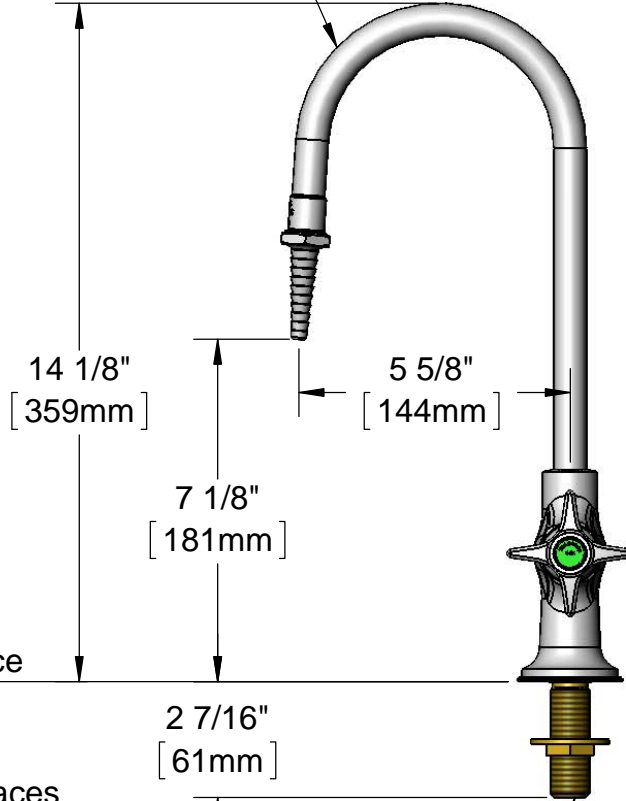
ADA Compliant



000059-40
4-Arm Handle w/
Color Coded Index



Rigid Gooseneck w/
B-0198
Serrated Tip w/ Washer



Mounting Surface

Fits Mounting Surfaces
1 1/4" [32mm] Thick
1 1/2" [38mm] Maximum

150A
Tailpiece & Nut
For 1/4" NPT
Connection

1/2" NPSM
Male Shank Inlet

Note: Rough-In Requirement
Ø 1" [25mm] Mounting Holes

Product Specifications:
Single Temperature Lab Faucet, Rigid Gooseneck
w/ Serrated Tip & 1/2" NPT Male Shank Inlet

Drawn DHL	Checked KJG	Approved JHB
Scale: 1:4		Date: 06/17/11



T&S BRASS AND BRONZE WORKS, INC.

2 Saddleback Cove / P.O. Box 1088
Travelers Rest, SC 29690



REG. #A2601
ISO #9001

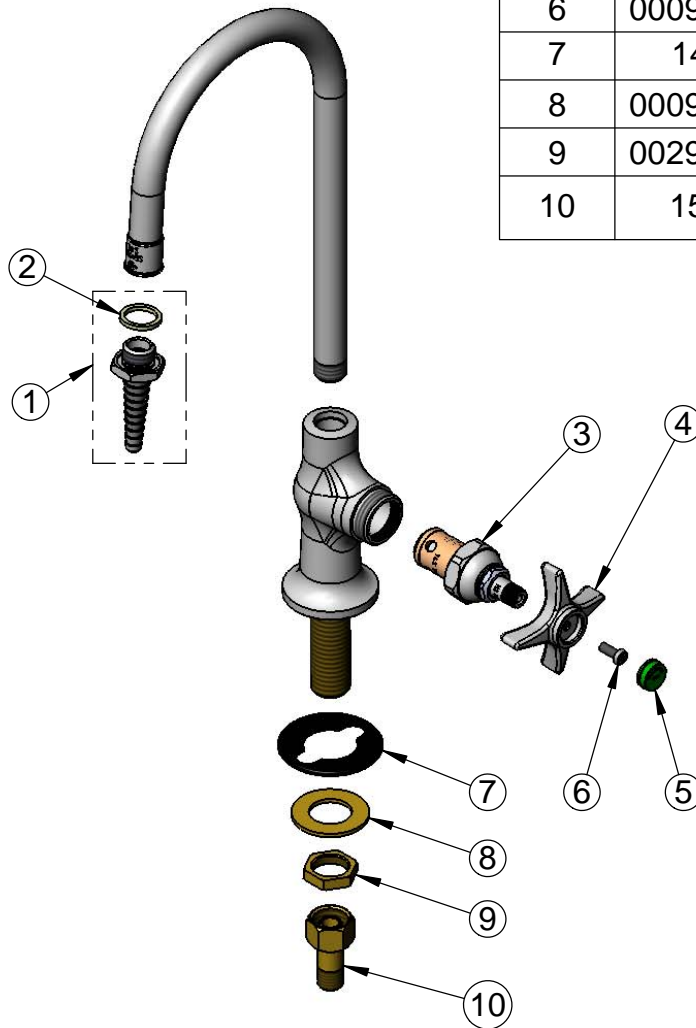
Model No.

BL-5705-01

Item No.

Travelers Rest, SC: 800-476-4103 • Simi Valley, CA: 800-423-0150 • Fax: 864-834-3518 • www.tsbrass.com

ITEM NO.	SALES NO.	DESCRIPTION
1	B-0198	Serrated Tip w/ Washer
2	001051-45	Washer, 7/8" OD X 11/16 ID X 3/32 Thick
3	005960-40	Eterna Cartridge - RTC
4	000059-40	4-Arm Lab Handle
5	001191-45	Cap, Index, Green, Cold Water
6	000925-45	Lab Handle Screw
7	144L	Gasket Polypropylene
8	000999-45	Brass Lock Washer
9	002954-45	Shank Lock Nut
10	150A	Bag of (1) Tailpiece & (1) Nut



Product Specifications:
Single Temperature Lab Faucet, Rigid Gooseneck
w/ Serrated Tip & 1/2" NPT Male Shank Inlet

Drawn DHL	Checked KJG	Approved JHB
---------------------	-----------------------	------------------------

Scale: NTS	Date: 06/17/11
----------------------	--------------------------