



T&S BRASS AND BRONZE WORKS, INC.

2 Saddleback Cove / P.O. Box 1088
Travelers Rest, SC 29690



REG. #A2601
ISO #9001

Model No.
B-7222-C02

Item No.

Travelers Rest, SC: 800-476-4103 Simi Valley, CA: 800-423-0150 Fax: 864-834-3518 www.tsbrass.com

This Space for Architect/Engineer Approval

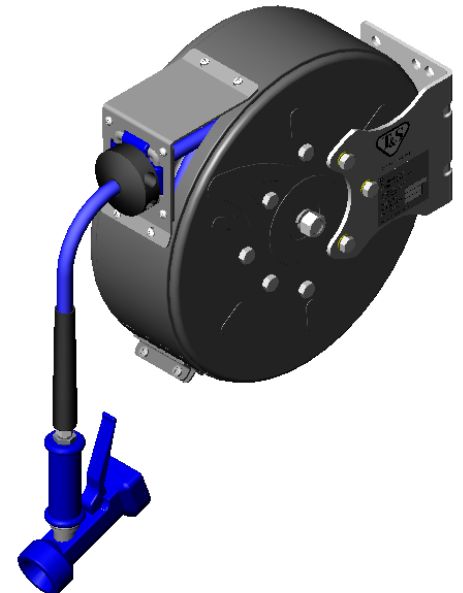
Job Name _____ Date _____

Model Specified _____ Quantity _____

Customer/Wholesaler _____

Contractor _____

Architect/Engineer _____

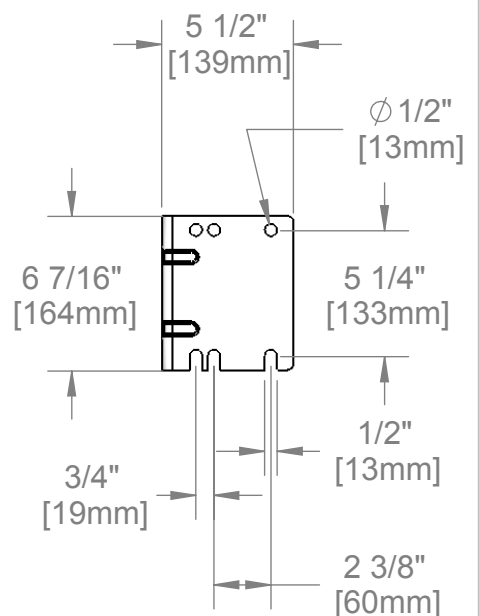
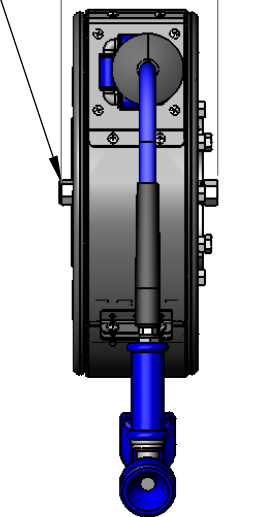
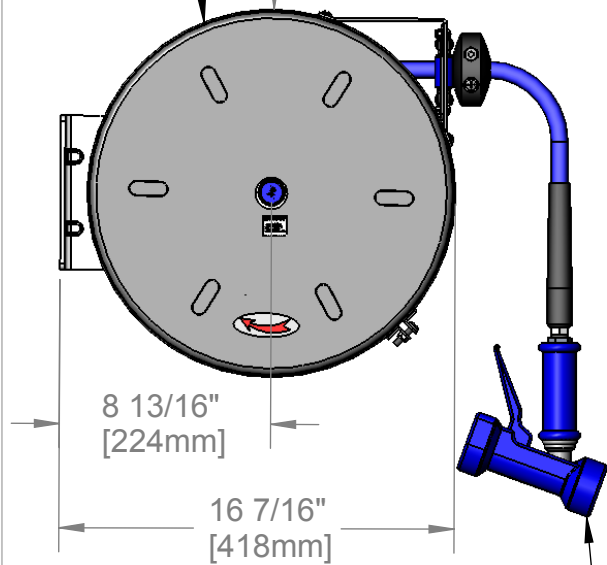


3/8" NPT Female Inlet
(Left Side of Reel)

Enclosed Coated Hose Reel;
30 Ft. of 3/8" Hose

Ø 15 3/8"
[390mm]

6 1/2"
[166mm]



MV-2516-24 Rear Trigger Style Gun
w/ Retractable Hold Down Clip,
Stainless Steel Body and Royal
Blue Rubber Cover.

Product Specifications:

3/8" x 30 Ft. Enclosed Coated Reel
MV-2516-24 Rear Trigger, 5/16" Spray Gun

| | | |
|---------------|-------------------|-----------------|
| Drawn JRM | Checked DHL | Approved JHB |
| Scale: 1:8 | Date: 12/19/07 | |



T&S BRASS AND BRONZE WORKS, INC.
 2 Saddleback Cove / P.O. Box 1088
 Travelers Rest, SC 29690



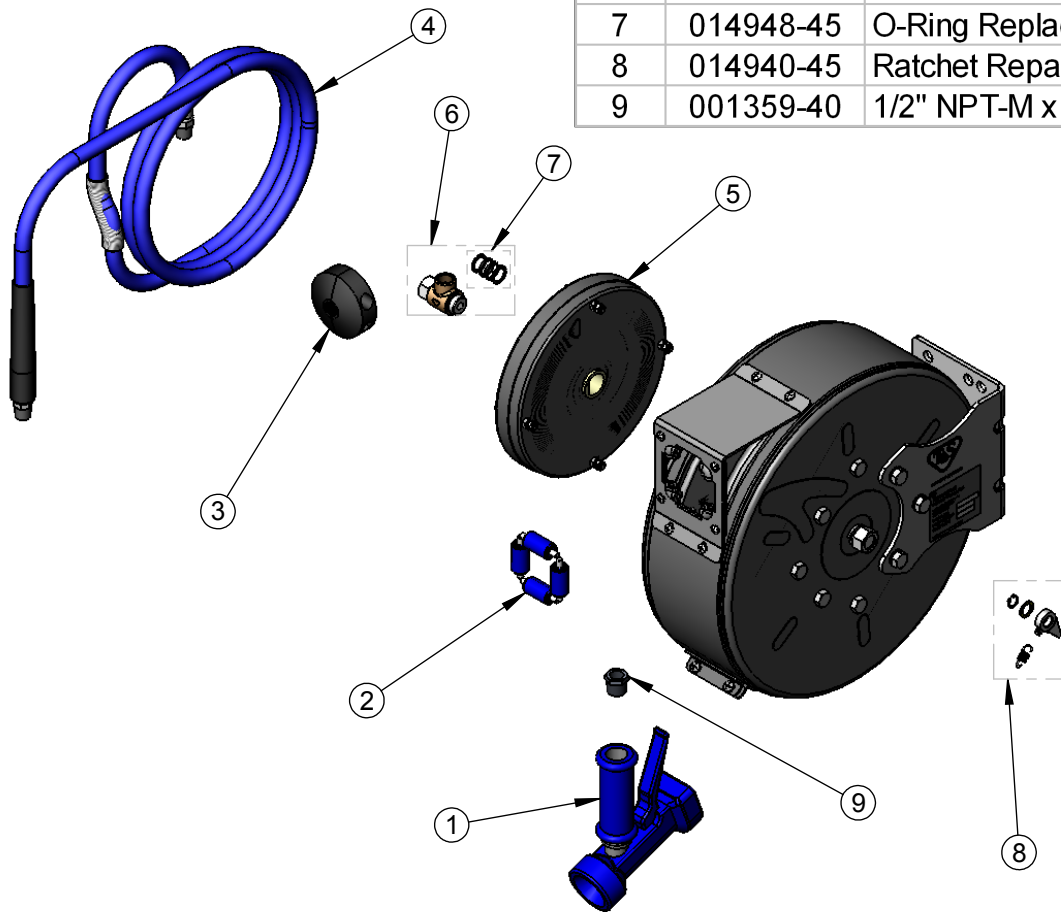
REG. #A2601
 ISO #9001

Model No.
B-7222-C02

Item No.

Travelers Rest, SC: 800-476-4103 Simi Valley, CA: 800-423-0150 Fax: 864-834-3518 www.tsbrass.com

| ITEM NO. | SALES NO. | DESCRIPTION |
|----------|------------|---------------------------------|
| 1 | MV-2516-24 | 5/16" Orifice, Rear Trigger Gun |
| 2 | 014936-45 | Roller Assembly Repair Kit |
| 3 | 014949-45 | Hose Stop Repair Kit |
| 4 | 014943-45 | 3/8" x 30' Hose Replacement Kit |
| 5 | 014932-45 | Small Spring Assembly |
| 6 | 014946-45 | 3/8" Swivel Repair Kit |
| 7 | 014948-45 | O-Ring Replacement Kit |
| 8 | 014940-45 | Ratchet Repair Kit |
| 9 | 001359-40 | 1/2" NPT-M x 3/8" NPT-F Adapter |



Product Specifications:

3/8" x 30 Ft. Enclosed Coated Reel
 MV-2516-24 Rear Trigger, 5/16" Spray Gun

| | | |
|---------------|----------------|-------------------|
| Drawn JRM | Checked DHL | Approved JHB |
| Scale: 1:8 | | Date: 12/19/07 |