



41180 Raintree Court
 Murrieta, CA 92562
 1-888-304-0660
 www.waterstoneco.com

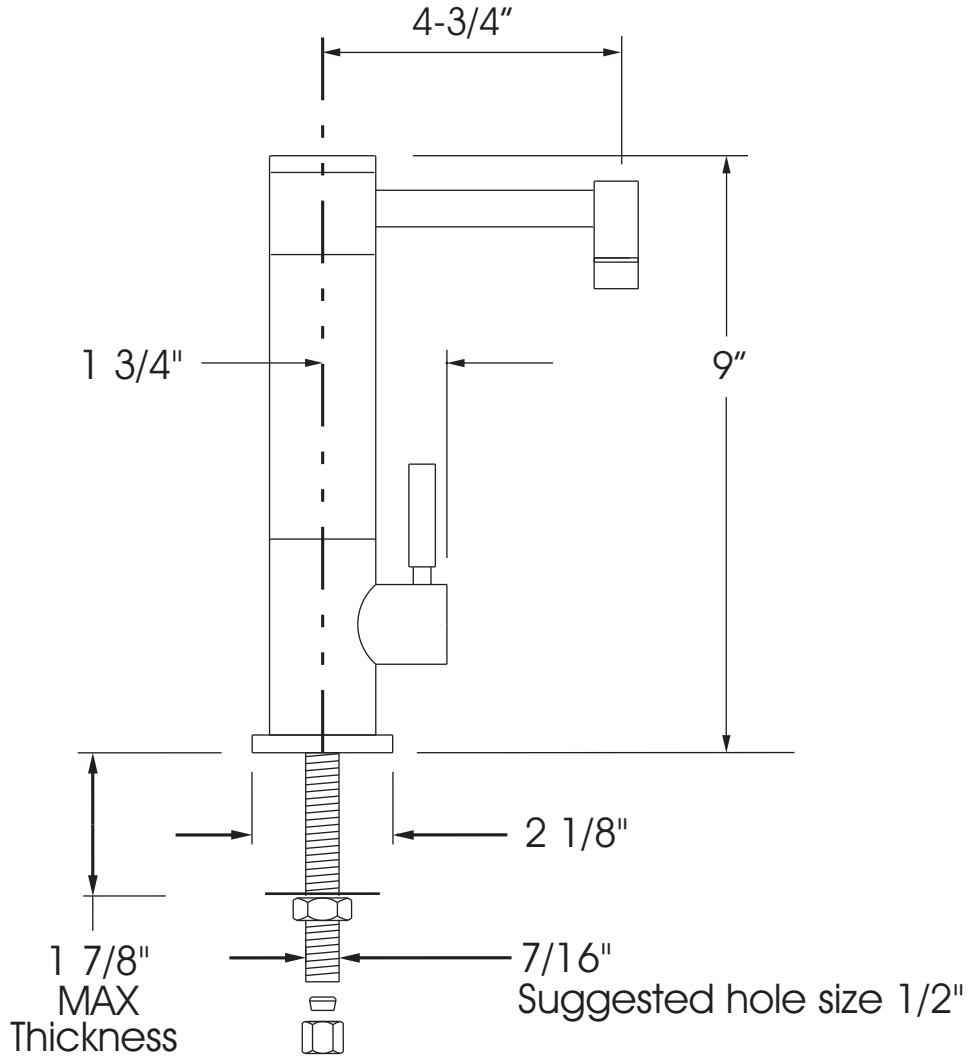
ITEM NO: **1900C**

STYLE: **HUNLEY**

INTENDED USE:
 FILTRATION FAUCET - COLD ONLY

CUSTOMER NAME:

JOB NO:



DIMENSIONS MAY VARY AND ARE SUBJECT TO CHANGE. NO RESPONSIBILITY IS ASSUMED FOR USE OF SUPERCEDED OR VOIDED DATA

Technical Specifications

- Solid brass or Stainless Steel construction.
- 1/4 turn ceramic disk valve cartridges.
- Lever handle.
- 1.1 gpm maximum flow rate.
- 360 degree swivel spout.
- 1/4" compression connection.

Codes/Standards Applicable

Specified model meets or exceeds the following:

- ASME A112.18.1
- CSA B125.1
- NSF 61
- CALGreen
- ADA

DATE: 1-10-08



MADE IN THE USA