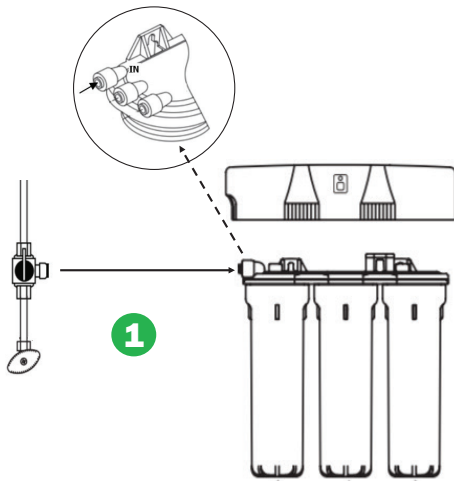


Neo-Pure[®] RO-4300RX Deluxe High Efficiency Reverse Osmosis Drinking Water System

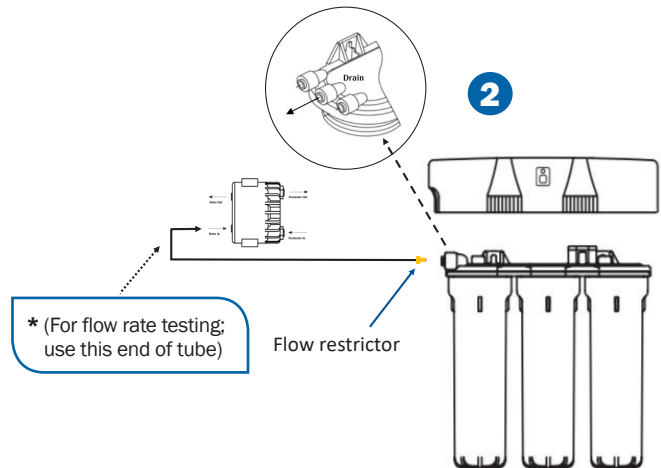


1. Feed Supply Connection

The RO system is fed by connecting the angle stop adapter to the cold supply line under the sink. This connects directly to the manifold through the left port marked IN.

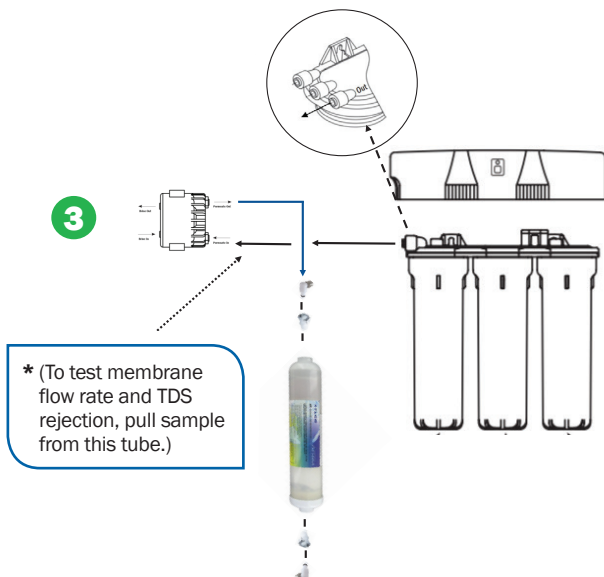
2. Drain Outlet To Brine In Connection On Permeate Pump

Water carrying the rejected contaminants exits the manifold through the center port marked Drain. The black tubing with the flow restrictor connects to this port. The other end connects to the BRINE IN port on the permeate pump. The BRINE OUT port then is connected to the smaller barb connection on the airgap faucet.

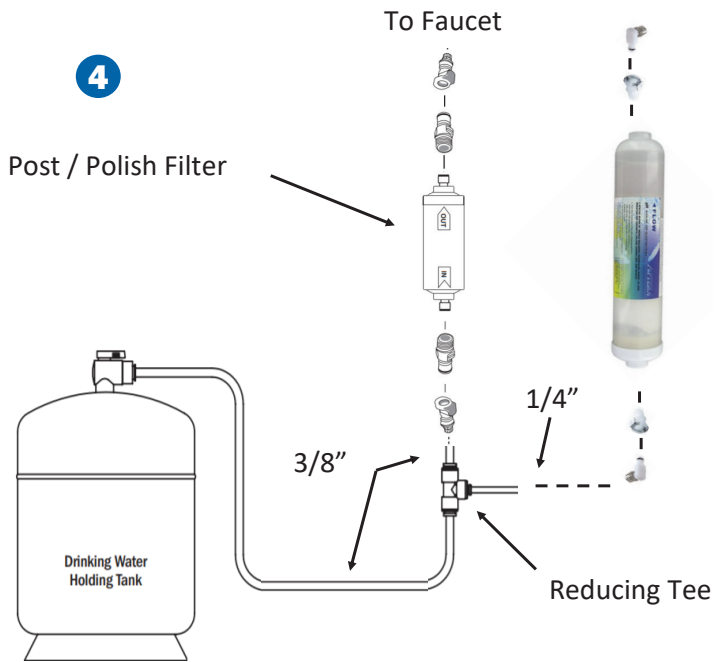


3. RO Water Out To Permeate Pump Inlet

RO water exits the manifold through the right hand port marked 'out'. Deluxe version of the 4300 will hook up to the Permeate IN on the permeate pump. The permeate outlet connects to the alkaline cartridge.



NOTE: In case there is a need to troubleshoot system / membrane performance, the permeate pump and alkaline cartridge need to be bypassed. The locations to pull these samples are before permeate inlet and before drain / brine inlet. Simply disconnect these tubes from permeate pump for sampling.

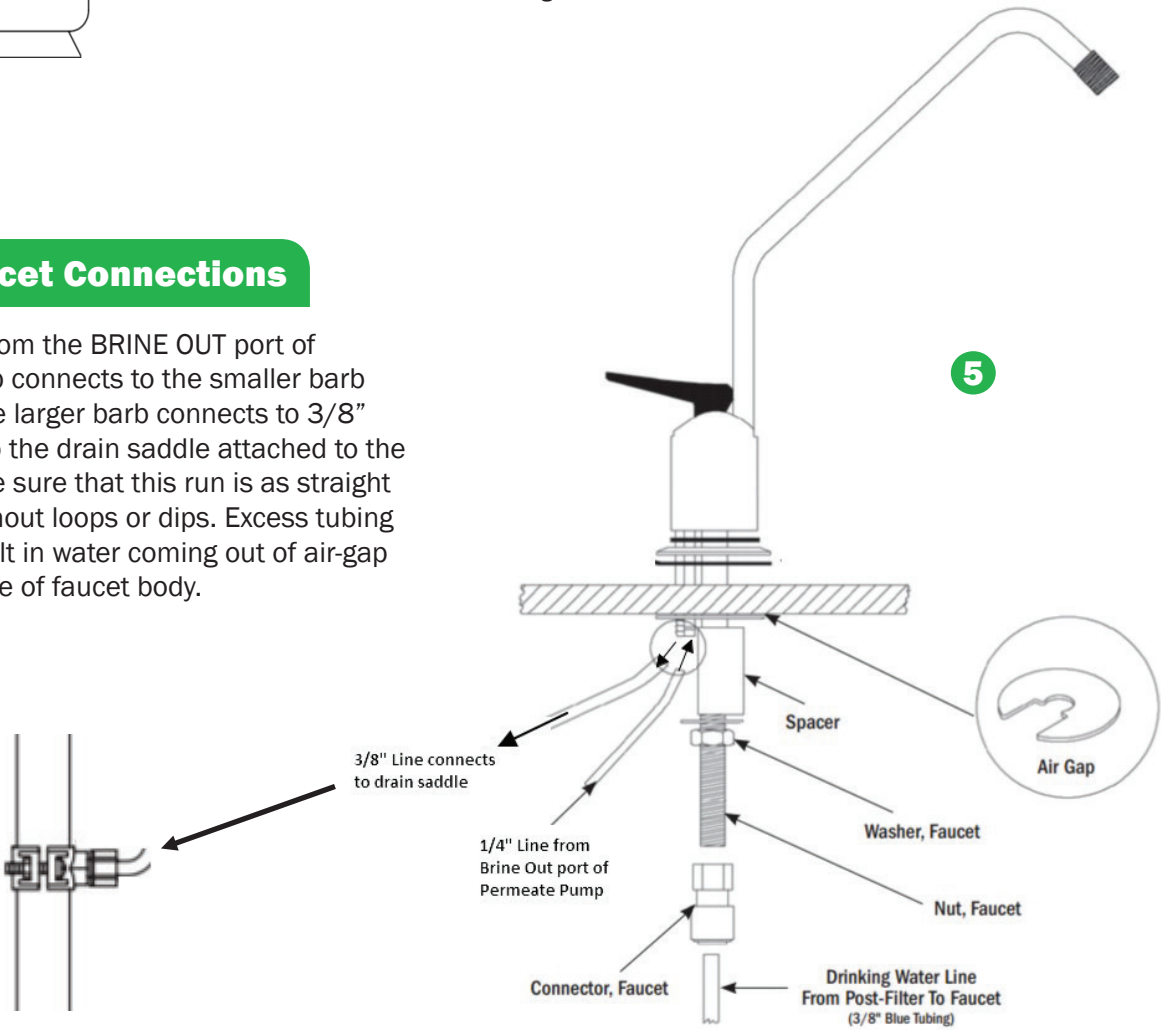


4. Tank and Post / Polish Filter Connections

RO water exits the alkaline cartridge and connects to the reducing tee. One leg of the tee connects to the storage tank, the other leg connects to the post / polish filter on the way to the faucet.

5. RO Faucet Connections

The 1/4" line from the BRINE OUT port of permeate pump connects to the smaller barb at the base. The larger barb connects to 3/8" line that runs to the drain saddle attached to the drain line. Make sure that this run is as straight as possible without loops or dips. Excess tubing here could result in water coming out of air-gap hole on the base of faucet body.



Distributed By:



2299 Ridge Rd., Greenville, SC
 P: 888.859.1188 · F: 864.284.1819
 NeoLogicSolutions.com · Info@NeoLogicSolutions.com

Questions?

Ask our Service Representatives at:
 864.284.1801 Mon.-Fri. 8:30a-7p,
 Sat. 8:30a-4:30p EST.