

INSTALLATION MANUAL & OWNER'S GUIDE



Stainless Steel Ultraviolet Water Purification System

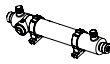
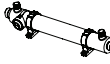



Buv-6
Buv-8
Buv-12

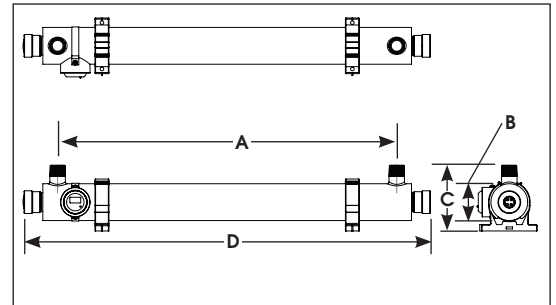


System Tested and Certified by
NSF International against NSF/
ANSI Standard 55 for Disinfection
Performance, Class B

Specifications

			
Item #	8880	8881	8882
Model #	Buv-6	Buv-8	Buv-12
NSF Rated Flow Rate @ 16mJ/cm2 @ 70% UVT - usgpm (l/min)	5.5 (20.79)	7.8 (29.48)	12 (45.36)
Flow Rate @ 16 mJ/cm2 @ 96% UVT - usgpm (l/min)	12 (45.36)	18.8 (71)	26 (98.28)
Flow Rate @ 30 mJ/cm2 @ 96% UVT - usgpm (L/min)	6.4 (24.2)	10 (37.8)	13.9 (52.5)
Flow Rate @ 40 mJ/cm2 @ 96% UVT - usgpm (l/min)	4.8 (18.14)	7.5 (28.35)	10.4 (39.31)
Lamp Power (Watt)	21	29	40
Max. Current (Amp)	0.4	0.4	0.5
Inlet and Outlet Size NPT	1/2"	3/4"	1"
Weight lbs (kg)	6 (2.67)	8 (3.57)	12 (5.36)
Operating Pressure psi (kpa)	10-100 psi (69-689 kPa)		
Operating Temperature Range	36 to 104° F (2 to 40° C)		
Electrical	100-240V - 50/60Hz		
Electrical Plug	North American		

Dimensions			
A inches (cm)	17.32 (44)	23 (58.5)	31.5 (80)
B inches (cm)	2.5 (6.35)	2.5 (6.35)	2.5 (6.35)
C inches (cm)	4.33 (11)	4.33 (11)	4.45 (11.3)
D inches (cm)	21.65 (55)	27.56 (70)	36.61 (93)



You have purchased one of the most technologically advanced Ultraviolet Water Treatment System available anywhere in the world. It has been designed with you, the consumer, in mind. PURA® products are lightweight, easy to use, and simple to maintain. PURA products will provide you with healthy, clean drinking water for years to come.

What is Ultraviolet?

Ultraviolet (UV) light from the sun has long been known for its ability to deactivate microorganisms. However, it has only been in recent years that equipment producing UV light has been manufactured for residential use.

WARNING:

NEVER LOOK DIRECTLY AT A LIGHTED UV LAMP. ULTRAVIOLET RAYS CAN BE HARMFUL TO EYES.

UV energy is produced by low-pressure mercury vapor enclosed in a tubular lamp. While a UV lamp resembles a standard fluorescent lamp, it is similar in appearance only.

Energy produced by the UV lamp has the ability to destroy microorganisms that can live in water. There are five major groups of microorganisms that are altered by a specific spectrum of ultraviolet light: viruses, bacteria, fungi, algae, and protozoa.

When these microbes are exposed to the proper amount of UV energy, their DNA structure is scrambled, and they are unable to reproduce. Since the cell is now sterile or dead, it is no longer a threat.

PURA Systems

PURA recommends that all UV systems include pre-filters to process the water before it reaches the UV lamp. This will ensure that maximum UV exposure is achieved.

PURA Ultraviolet Water Treatment Systems are designed for indoor use only.

PURA Systems are designed to provide complete water treatment in a compact, easy-to-use package. Please follow the directions in this Guide exactly when installing your PURA System to ensure that it operates correctly.

Safety Instructions

WARNING:

To guard against injury, basic safety precautions should be observed, including the following:

1. Read and follow all safety instructions.
2. CAUTION - Always disconnect power before servicing.
3. DANGER - To avoid possible electric shock, special care should be taken since water is present near electrical equipment. Unless a situation is encountered that is explicitly addressed by the provided maintenance and troubleshooting sections, do not attempt repairs by yourself, refer to an authorized service facility.
4. Carefully examine the disinfection system after installation. It should not be plugged in if there is water on parts not intended to be wet such as, the ballast or lamp connector.
5. Do not operate the disinfection system if it has a damaged cord or plug, if it is malfunctioning or if it has been dropped or damaged in any manner.
6. Always disconnect water flow and unplug the disinfection system before performing any cleaning or maintenance activities. Never yank the cord to remove from an outlet; grasp the wall plug and pull to disconnect.
7. Do not use this disinfection system for other than intended use (potable water applications). The use of attachments not recommended or sold by the manufacturer/distributor may cause an unsafe condition.
8. Intended for indoor use only. Do not install this disinfection system where it will be exposed to the weather or to temperatures below freezing. Do not store this disinfection system where it will be exposed to the weather or to temperatures below freezing unless all water has been drained from it and the water supply has been disconnected.
9. Read and observe all the important notices and warnings on the water disinfection system.
10. If an extension cord is necessary, a cord with a proper rating should be used. A cord rated for less Amperes or Watts than the disinfection system rating may overheat. Care should be taken to arrange the cord so that it will not be tripped over or pulled. Circuit breaker must not exceed power cord current rating (ie - 15A for North American NEMA 5-15P).
11. SAVE THESE INSTRUCTIONS

WARNING:

The UV light given off by this unit can cause serious burns to unprotected eyes and skin. Never look directly at an illuminated UV lamp. When performing any work on the UV disinfection system always unplug the unit first. Never operate the UV system while the UV lamp is outside of the UV chamber.

Note: The UV lamp inside the disinfection system is rated at an effective life of approximately 9000 hours. To ensure continuous protection, replace the UV lamp annually.

Conditions For Use

Iron (Fe)	< 0.3 ppm (0.3 mg/L)
Hardness*	< 7 gpg (120 mg/L)
Turbidity	< 1.0 NTU
Manganese (Mn)	< 0.05 ppm (0.05 mg/L)
Tannins	< 0.1 ppm (0.1 mg/L)
UV Transmittance	> 75%**

*Where total hardness is less than 7 gpg, the UV unit should operate efficiently provided the quartz sleeve is cleaned periodically. If total hardness exceeds 7 gpg, the water should be softened.

**Call customer service for recommendations on applications where UVT < 75%.

IMPORTANT: Water quality is extremely important for the optimum performance of your UV system. The following levels are recommended for installation:

If your water chemistry contains levels in excess of those mentioned above, proper pre-treatment is recommended to correct these water problems prior to the installation of your UV disinfection system. These water quality parameters can be tested by your local dealer, or by most private analytical laboratories. Proper pre-treatment is essential for the UV disinfection system to operate as intended.

Routine Maintenance

It is important that any water treatment system be properly maintained to ensure consistent water quality. The information provided on this page is of a general nature. See Cleaning, Disinfecting, and Routine Maintenance Procedure in this user guide.

Cleaning: The inside of the system and the quartz sleeve should be cleaned bi-annually. Clean all parts (except the electronic parts) with soap and rinse them thoroughly with clean potable water. Dry the inside of the quartz sleeve thoroughly before re-assembling system.

NOTE: Presence of iron or general poor water quality will require frequent inspection and cleaning.

O. Ring: Lubricate each .O - ring with a silicone based lubricant (Part # 92360) to ensure a proper seal.

NOTE: UV lamp should remain on at all times during use because; repeated starting of UV lamp shortens lamp life, and UV lamp requires a warm up period of 1-2 minutes.

CAUTION: Use care when changing the filters to avoid breaking the quartz sleeve.

UV Lamp Replacement: Lamps must be changed every twelve months. While UV lamps rarely burn out, they do lose their disinfection power. Use only PURA UV lamps as they are specifically designed for the PURA system to deliver high quality drinking water.

Installing PURA Disinfection System

CAUTION

Electronic ballast must be connected to a grounded receptacle.

- The disinfection system is designed to be mounted either horizontally or vertically at the point-of-use or point-of-entry depending on the specific flow rate of the unit.
- The complete water system, including any pressure or hot water tanks, must be sterilized before start up by flushing with chlorine (household bleach) to destroy any residual contamination
- For safety purposes, the disinfection system should be connected to a ground fault interrupt circuit.
- The disinfection system is intended for indoor use only, do not install disinfection system where it may be exposed to the outdoor weather.
- Install the disinfection system on cold water line only.
- If treating the entire house, install the disinfection system before any branch lines.
- A 5 micron sediment filter must precede the disinfection system. Ideally, the disinfection system should be the last treatment the water receives before it reaches the faucet.

Typical Installation

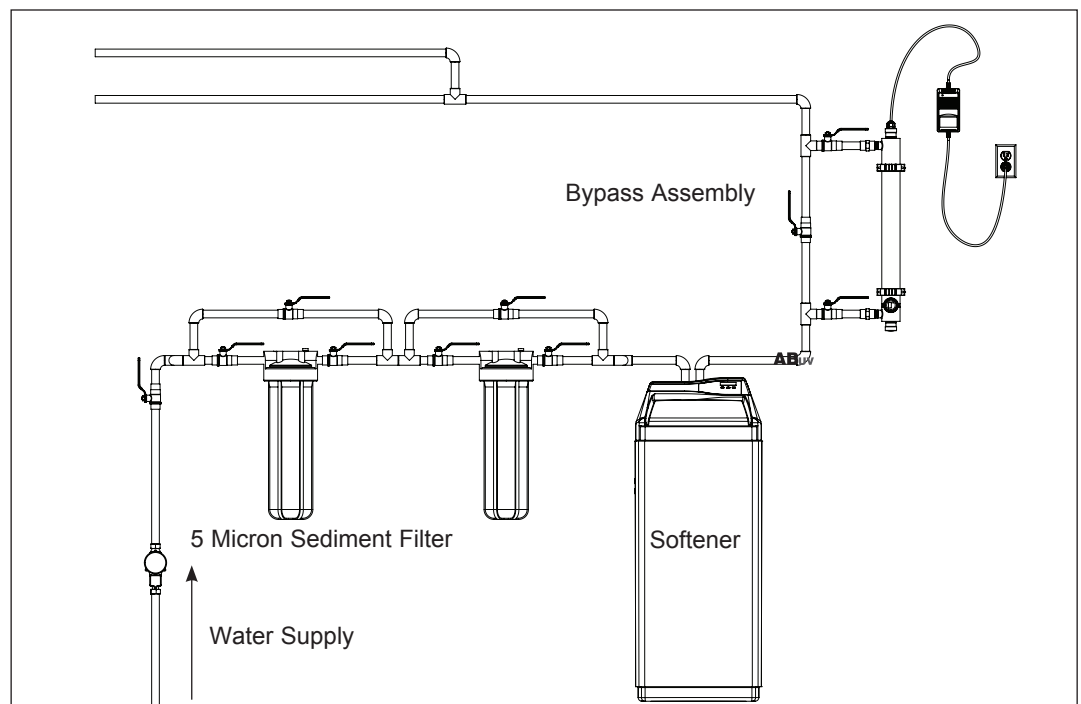


Figure 1 - Typical installation of disinfection system and the related components that may be used for the installation

1. The use of a bypass assembly is recommended in case the system requires 'off-line' maintenance. If this is the case, it must be noted that the system will require supplementary disinfection of the distribution system if any water is used during this bypass condition. In addition, during bypass, the water will NOT be disinfected until such time as the system is sanitized and returned to service. Please refer to the complete disinfection procedure as outlined on page 7 of this document. If the water is to be offline, the water must be boiled for twenty minutes prior to consumption.
2. Select a suitable location for the disinfection system and its related components. As it is recommended to install a ground fault protected circuit (GFCI), make sure that this is taken into consideration prior to any installation. The system can either be installed vertically (inlet port at the bottom) (Figure 1A), or horizontally (Figure 1B). When selecting a mounting location, you must also leave enough space to allow for the removal of the UV lamp and/or quartz sleeve (typically leave a space equal to the size of the reactor chamber itself).

Pre-Installation Instructions

The figure below shows the proper water flow for horizontal or vertical installation. Make certain that your unit and the inlet and outlet pipes are in the right position for either horizontal or vertical installation

NOTE: when installing in horizontal direction, please make sure that UV chamber is on a slope to allow water to be drained during servicing

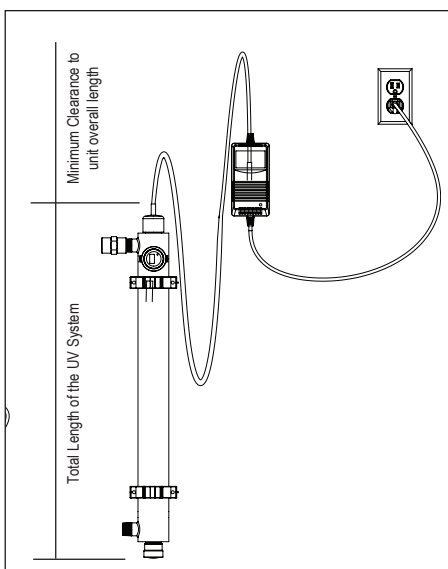


Figure 1A

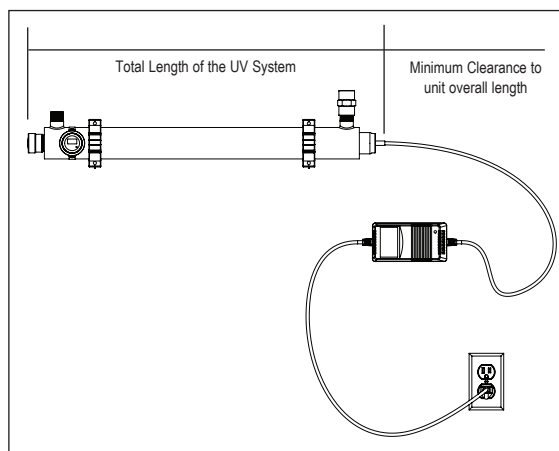
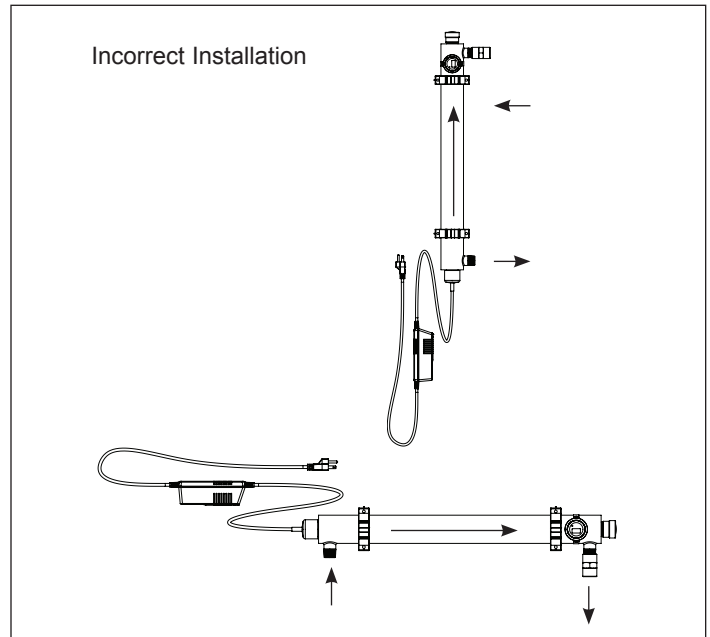
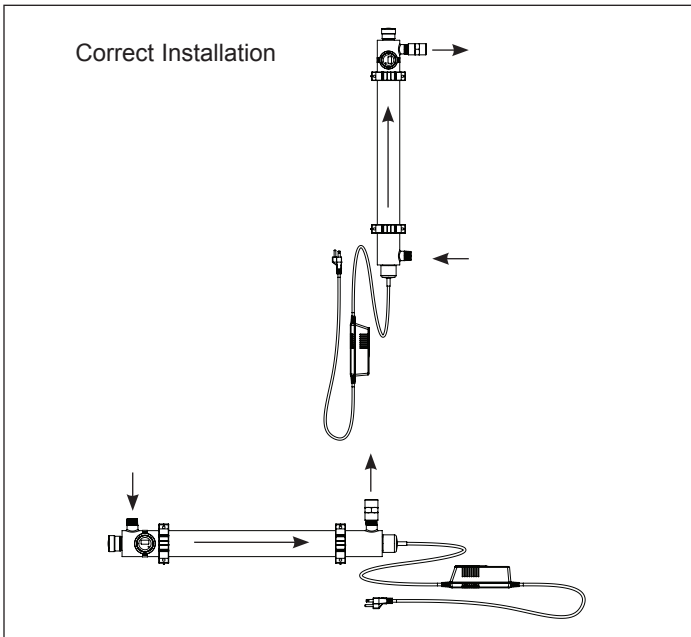


Figure 1B



IMPORTANT: For vertical installation, the inlet is at the bottom and the outlet is near the top of the disinfection chamber. For horizontal installation, pay careful attention to the diagram for flow direction.

3. Mount the system to the wall using the supplied clamps. Various connection methods can be used to connect the water source to the system, however union type connectors are recommended. The use of a flow restrictor device (included with the system) is strongly recommended when installing your system in order to maintain the manufacturers rated flow rate. The flow restrictor should be installed on the outlet port and is designed to be installed in one direction only. Ensure that the flow of the water matches the flow direction as indicated on the flow restrictor (Figure 1C). **DO NOT SOLDER CONNECTIONS WHILE ATTACHED TO THE SYSTEM AS THIS COULD DAMAGE THE O-RING SEALS.** Mount the countdown assembly to the UV chamber and tighten the metal clamp.
4. Mount the controller on the wall, near the reactor chamber. Ideally place the controller above the reactor and away from any water connection point, to prevent any water from potentially leaking onto the controller by means of a leak at a connection point or a 'sweating' system. Make sure you allow for a 'drip-loop' (Figure 1D) on the lamp, and power cord (prevents water from potentially entering the controller).
5. Install the UV lamp and sleeve as outlined on pages 8-9.
6. When all plumbing connections are made, slowly turn on the water supply and check for leaks. The most likely cause for leaks is from the o-ring seal. In case of a leak, shut water off, drain cell, remove the retaining nut, wipe the o-ring and threads clean and re-install.
7. Once it is determined that there are no leaks, plug the system into the ground fault interrupter circuit, and check controller to ensure the system is operating properly. The controller is designed to detect both power to the system and lamp illumination. Reset the countdown timer to 365 days. It is important to **NEVER LOOK DIRECTLY AT THE GLOWING UV LAMP.**
8. Allow the water to run through the chamber for 5-10 minutes prior to use to clear any air or dust that may be in the reactor.

PLEASE NOTE: When there is no flow, the water in the cell will become warm, as the UV lamp is always on. To remedy this, run a cold water tap anywhere in the house for a minute to flush out the warm water.

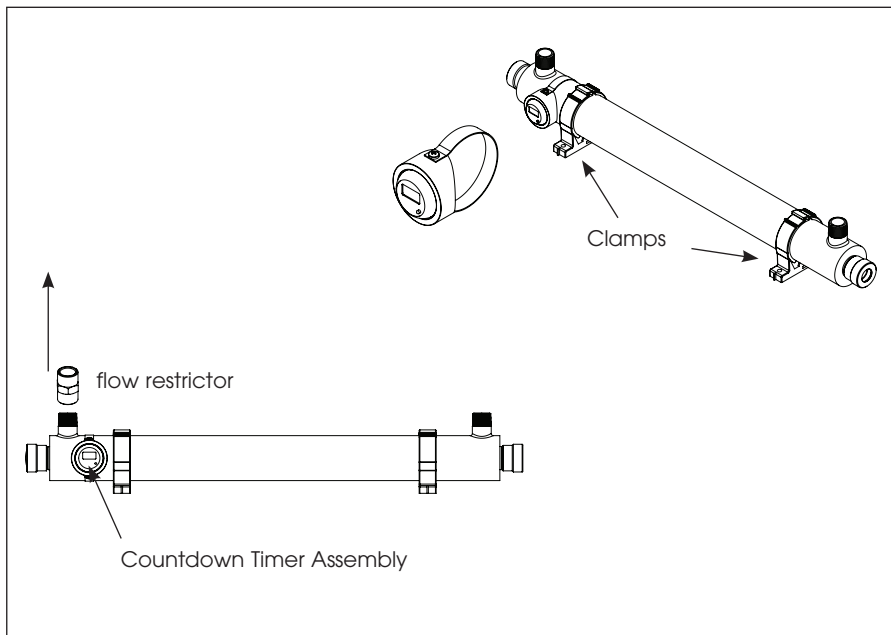


Figure 1C

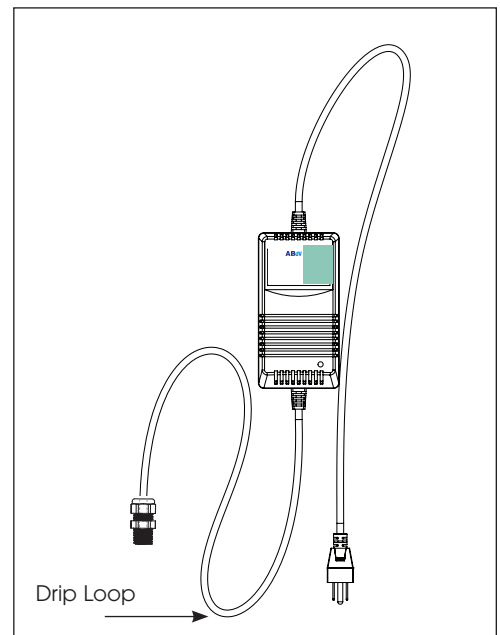


Figure 1D

Disinfection Procedure

UV disinfection is a physical disinfection process and does not add any potentially harmful chemicals to the water. As UV does not provide a disinfection residual, it is imperative that the entire distribution system located after the UV be chemically disinfected to ensure that the water is free from any bacteriological contaminants. The disinfection process must be performed immediately after the UV unit is installed and repeated thereafter whenever the UV is shut down for service, without power, or inoperative for any reason. The procedure for sanitizing the plumbing system is readily accomplished as follows:

1. Shut off the upstream water supply that feeds water into the reactor chamber and depressurize water system. Remove the pre-filter cartridge and fill the sump with 1-2 cups of household (5.25%) bleach (chlorine) - Do NOT use hydrogen peroxide. At all times during the process, make sure the UV unit (and lamp) is turned on and operational!
2. Repressurize water system, open each faucet and allow cold water to run until you smell chlorine, shut the faucet off and then repeat the process for each faucet, including hot water. You must ensure that all taps, including outside faucets, dishwashers, shower heads, washing machines, connections to refrigerators, toilets, etc., pass chlorinated water.
3. Once all the locations have passed the chlorine disinfection solution, you will need to leave the solution sit for a period of 20 - 30 minutes. Reinstall the pre-filter cartridge into the filter and then flush the chlorine solution from the system until no chlorine smell is detectable. Make sure that each fixture that was disinfected in step 2 is completely flushed of the chlorine solution as the consumption of this water is not advised due to the extremely high concentration of chlorine. It is important to remember that in the event that a UV is briefly shut down for routine cleaning or during power interruptions where water could have passed through the system, the aforementioned procedure must also be followed.

Note A: The addition of chlorine (bleach) to a hot water tank that has in the past been fed with untreated raw water with high levels of other contaminants (iron, manganese, hydrogen sulphide, organics, etc.) will result in oxidation of these contaminants and may require repeated flushing of the hot water tank. This contingency must be dealt with independently under the startup procedure for any other conditioners that may form a part of the pre-treatment for the UV unit.

Note B: The above procedure (Steps 1 to 3) will result in a massive chlorine residual far in excess of the 0.5 to 1.0 mg/L typically present in municipally chlorinated water and of a magnitude consistent with the minimum 50 mg/L chlorine solution recommended for the disinfection of distribution systems known to be contaminated. Do not consume water until complete system has been flushed.

OPERATION

- Always disconnect power before performing any work on the disinfection system.
- Regularly inspect your disinfection system to ensure that the power indicators are on and no alarms are present.
- Replace the UV lamp annually (or biannually if seasonal home use) to ensure maximum disinfection.

Operating & Maintenance Instructions

⚠ CAUTION

Prior to performing any work on the disinfection system, always disconnect the power supply first.



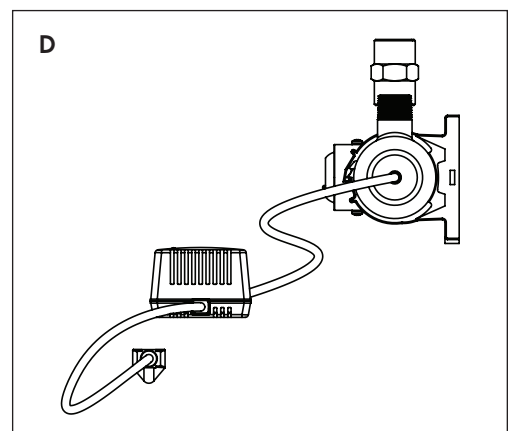
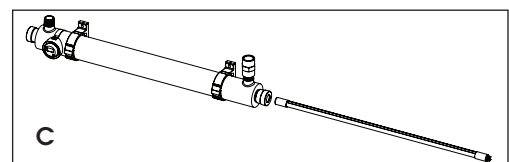
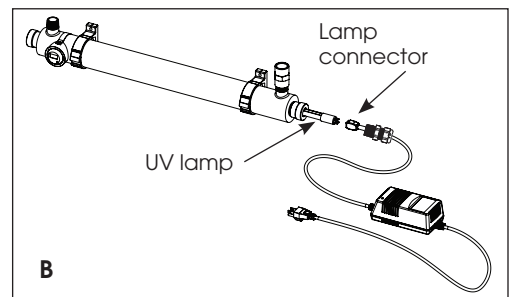
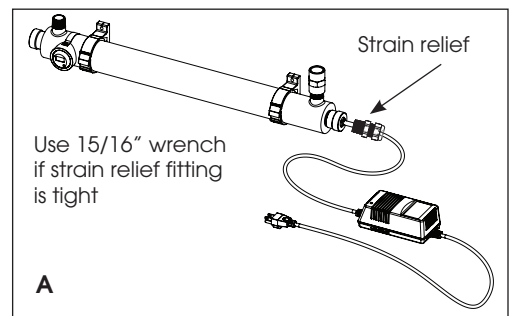
⚠ WARNING: DO NOT USE WATER DURING THIS PROCEDURE



UV Lamp Replacement

NOTE: RESET LAMP LIFE TIMER AFTER LAMP REPLACEMENT (see page 9) Refer to www.lamprecycle.org for lamp disposal



1. To replace the lamp, there is NO need to disconnect the system from the water supply. DO NOT USE WATER DURING THIS PROCEDURE. Lamp replacement is a quick and simple procedure requiring no special tools. The UV lamp must be replaced after one year in order to ensure adequate disinfection.
2. Disconnect main power source and allow the unit to power down for 30 seconds.
3. Unscrew the strain relief from the unit as shown in picture A.
4. Pull the lamp cord slowly away from the chamber and disconnect the lamp from the cord. Do not twist the lamp from the connector, simply slide the two apart. Avoid touching the lamp on the glass portion. Handling the lamp at the ceramic ends if acceptable, however if you must touch the lamp glass, please use gloves or a soft cloth. See picture B.
5. Fully remove the lamp from the reactor chamber being careful not to angle the lamp as it is removed from the chamber. If the lamp is removed on an angle, pressure will be applied on the inside of the quartz sleeve, causing the sleeve to fracture. See picture C.
6. To install a new lamp, first remove the lamp from its protective packaging, again being careful not to touch the lamp glass itself. Carefully insert the lamp into the reactor vessel (actually inside the quartz sleeve). Insert the lamp fully into the chamber leaving about two inches of the lamp protruding from the chamber. Next, attach the connector to the UV lamp. Ensure the connector is fully seated onto the UV lamp.
7. Slide the lamp slowly through the aluminum nuts till it is seated inside the chamber and screw the strain relief back in to place.
8. Plug the power supply to the control module.

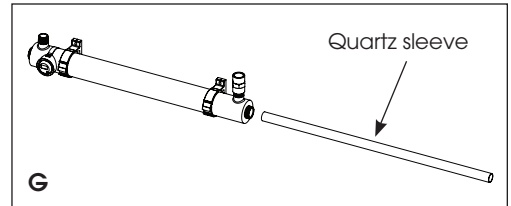
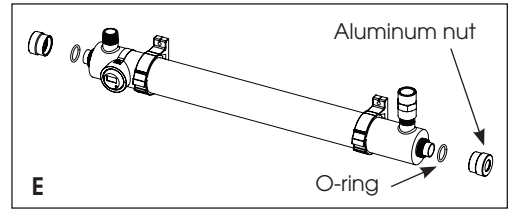


Quartz Sleeve Replacement and Cleaning

NOTE: for first time installation of the UV system, it is recommended that quartz sleeve is installed in the horizontal position to better sealing purposes.

Mineral deposits and sediment may accumulate on the quartz sleeve decreasing the UV energy detected. Good maintenance of filtration equipment will reduce the accumulation of residues. If necessary, remove the quartz sleeve and clean with a commercially available scale remover (CLR, Lime-Away, etc.) and a lint free cloth. Repeat the process as often as necessary to keep the quartz sleeve clean. Be sure to remove all traces of cleaning fluid from the sleeve before it is reinstalled in the reactor (be sure not to allow liquid inside the sleeve).

1. First remove the UV lamp by following steps as outlined in the "Lamp Replacement" section on page 8.
2. Shut off the upstream water supply that feeds water into the reactor chamber. 
3. Shut off the downstream water supply. If your system does not have a separate downstream valve, simply open a downstream faucet to release any pressure that may be built-up in the system.
4. Unscrew the two aluminum nuts from the reactor chamber. **CAUTION: Care should be taken when unscrewing the bottom aluminum nut, otherwise the quartz sleeve could fall and break.** Place a small pail under the reactor chamber to catch any water that may leak from the system (if installed vertically). See picture E.
5. Carefully remove the two o-rings from the aluminum nuts. Grasp the quartz sleeve and fully remove from the reactor chamber. As with the lamp, make sure the sleeve is removed from the reactor chamber being careful not to angle the sleeve as it is removed from the reactor to avoid breakage. See picture F.
6. Clean the sleeve as outlined in above, or replace with a new sleeve. Reinstall the quartz sleeve. To install the sleeve, carefully insert the sleeve into the reactor chamber (do not drop). Install the other side aluminum nut and o-ring once the sleeve reaches the other end. Make sure to clean and lubricate (silicone release grease part # 92360) the o-ring. Discard the o-ring and replace it with new one if required.
7. Reinstall the other aluminum nut with o-ring (make sure to clean and lubricate the o-ring, also replace if necessary)
8. Reinstall the lamp as outlined in the "lamp replacement" section on page 8.
9. Slowly turn on the water and pressurize the reactor to verify that there are no leaks.
10. Reconnect to power source. 



NOTE: If the system is put on a temporary bypass or if it becomes contaminated after the disinfection system, it will be necessary to shock the system with household bleach for a full 20 minutes before resuming the use of the water.

Control Box Operation

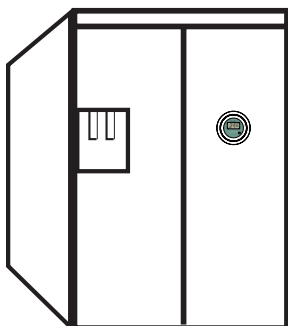
The control box is a dual voltage 115V/230V, 50Hz/60Hz. Make sure the power cord of the control box is connected to GFCI receptacle.

Lamp Countdown Timer

The lamp countdown timer keeps track of the number of days of lamp has been replaced since. The lamp needs to be replaced after a year (or 365 days) of its operation.

The countdown timer works on a LR44 battery cell which can run the timer for approximately five years.

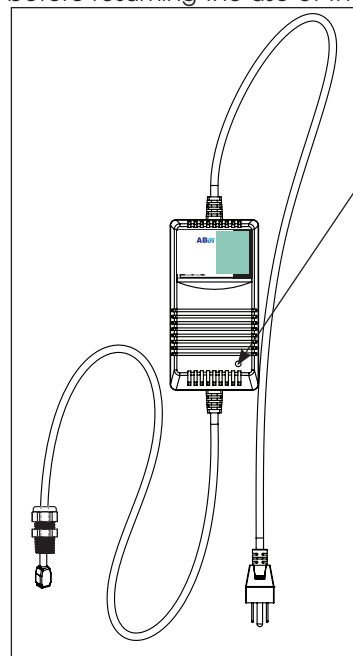
When the 365 days have expired, the screen will start to blink and alarm an audible beep. Replace the UV lamp (see instructions in "lamp replacement" section) and reset the timer.



Reset the Countdown Timer

Press the reset the button once to reset the countdown timer to 365 days. The 365 days will appear on screen

The countdown timer can also be removed from the holder and installed in remote location with the help of the magnet location at the back of the timer.



LED is GREEN when lamp is working
LED is RED when lamp is NOT working. The control box also sounds an audible alarm during this condition



Reset Button



Troubleshooting

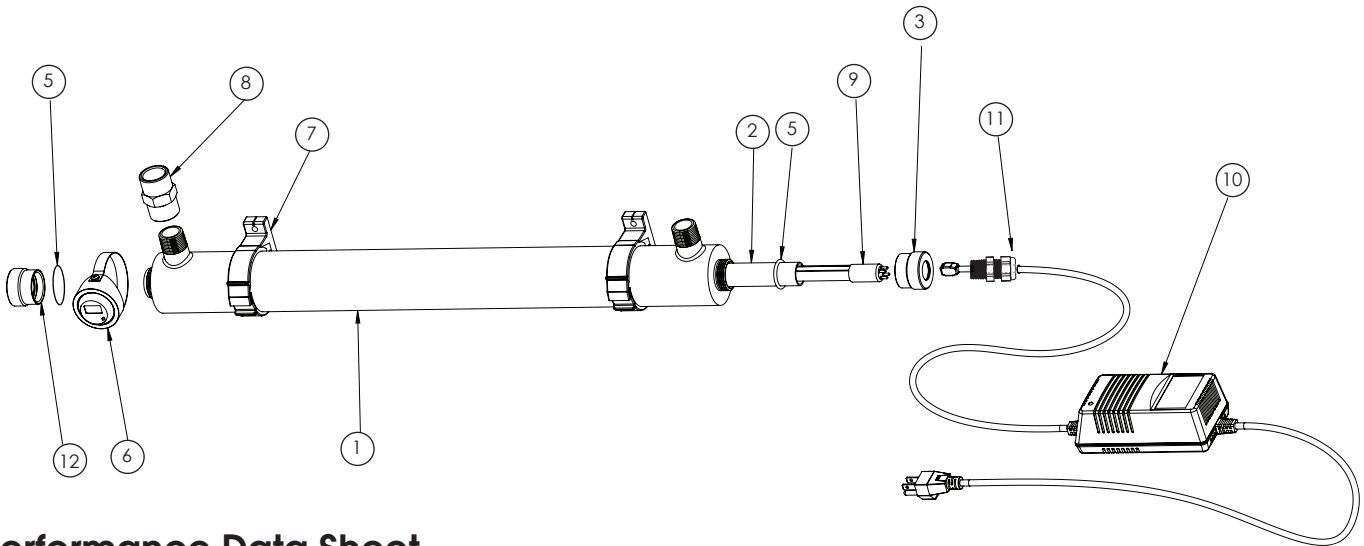
PROBLEM	CAUSE	CORRECTION
1. Pressure Drop	<p>A. Sediment pre-filter clogged</p> <p>B. Flow regulator</p>	<p>A. Replace filter cartridge with appropriate 5 micron cartridge. Note: check source water supply as fluctuations may occur in source pressure</p> <p>B. Flow regulator will result in pressure drop when approaching full flow.</p>
2. High Bacteria Counts	<p>A. Quartz sleeve is stained or dirty</p> <p>B. Change in feed water quality</p> <p>C. Contamination in water lines after UV system</p> <p>D. Possible break-through of sediment through pre-filter</p>	<p>A. Clean sleeve with scale cleaner and eliminate source of staining problem (ie. soften hard water, see page 5-6).</p> <p>B. Have source water tested to ensure that water quality is still within allowable limits for this system.</p> <p>C. It is imperative that effluent water stream be shocked with chlorine (bleach) before water leaves UV system - disinfection system must have a bacterial free distribution system to work effectively (see page 4).</p> <p>D. Have source water tested for turbidity - may need stepped filtration in order to catch all sediment entering water system (20 micron filter followed by UV system).</p>
3. Heated Product Water	A. Common problem caused by infrequent use of water	A. Run water until it returns to ambient temperature.
4. Water Appears Milky	A. Caused by air in the water lines	A. Run water until air is purged.
5. Unit Leaking Water	<p>A. Problem with o-ring seal on gland nuts</p> <p>B. Condensation on reactor chamber caused by excessive humidity and cold water</p> <p>C. Inadequate inlet/outlet port connections</p>	<p>A. Ensure o-ring is in place, check for cuts or abrasions, clean o-ring, moisten with water/lubricant and re-install, replace if necessary.</p> <p>B. Check location of disinfection system and control humidity.</p> <p>C. Check thread connections, reseal with Teflon® tape and re-tighten.</p>
6. System Shutting Down Intermittently	A. Interrupted power supply	A. Ensure system has been installed on its own circuit, as other equipment may be drawing power away from UV (ie. pump or fridge). UV system should not be installed on a circuit which is incorporated into a light switch.
7. Lamp Failure Alarm On - New Lamp	<p>A. Loose connection between lamp and connector</p> <p>B. Moisture buildup in connector may keep lamp and connector from making a solid connection</p>	<p>A. Disconnect lamp from connector and reconnect, ensuring that a tight fit is accomplished.</p> <p>B. Eliminate chance of any moisture getting to the connector and/or lamp pins.</p>

Parts Breakdown — Buv Models



System Tested and Certified by NSF International against NSF/ANSI Standard 55 for Disinfection Performance, Class B

Item #	Part Ref	Description	Qty	For UV Model
89573	2	Quartz Sleeve, Buv-6	1	Buv-6
89574	2	Quartz Sleeve, Buv-8	1	Buv-8
89575	2	Quartz Sleeve, Buv-12	1	Buv-12
89577	3	Chamber Nut, Lamp Entry, Threaded	2	All Models
89578	5	O-Ring	2	All Models
89584	6	Countdown Timer, c/w Bracket	1	All Models
89579	7	Clip	2	All Models
89581	8	Flow Control, 6 GPM, 1/2" NPT	1	Buv-6
89582	8	Flow Control, 8 GPM, 3/4" NPT	1	Buv-8
89583	8	Flow Control, 12 GPM, 1" NPT	1	Buv-12
89570	9	Lamp, UV, Buv-6	1	Buv-6
89571	9	Lamp, UV, Buv-8	1	Buv-8
89572	9	Lamp, UV, Buv-12	1	Buv-12
89580	10	Ballast	1	All Models
89576	11	Strain relief	1	All Models
89585	12	Chamber Nut, c/w Stopper Bottom	1	All Models



Performance Data Sheet

Item #	8880	8881	8882	
Model #	Buv-6	Buv-8	Buv-12	
Supplier Item #	GN-6	GN-8	GN-12	
NSF Rated Flow Rate @ 16mJ/cm ² @ 70% UVT - usgpm (l/min)	5.5 (20.79)	7.8 (29.48)	12 (45.36)	
Inlet and Outlet Size NPT	1/2"	3/4"	1"	
Operating Pressure psi (kpa)	10-100 psi (69-689 kPa)			
Operating Temperature Range	36 to 104° F (2 to 40° C)			
Electrical	100-240V - 50/60Hz			

① Lamp life: 8000-9000 hours of operation approximate 12 months of continuous service

④ General installation conditions and needs: Avoid touching the sides of the quartz sleeve and lamp, handle by the ends only. Ultraviolet lamp and quartz sleeve are easily damaged.

⑤ General operation and maintenance: Quartz sleeve is to be cleaned every 6-12 months and to be replaced every 24 months. UV lamp is to be replaced every year.

While testing was performed under standard laboratory conditions, actual performance may vary.

This Class B system or component conforms to NSF/ANSI 55 for the supplemental bactericidal treatment disinfected public drinking water or other drinking water that has been tested and deemed acceptable for human consumption by the state or local health agency having jurisdiction. The system is only designed to reduce normally occurring non-pathogenic nuisance microorganisms. Class B systems are not intended for treatment of contaminated water.

The system and installation shall comply with applicable state and local regulations

PURA® Stainless Steel Ultraviolet Water Purification Systems LIMITED WARRANTY

Subject to the conditions and limitations described below, the manufacturer warrants its stainless steel ultraviolet drinking water systems ("Product") when installed in accordance with PURA® specifications, to be free from defects in materials and workmanship under normal use within the operating specifications given in page 3 of this manual for the following periods; Ultraviolet lamps and sensor probes to be free from defects in material and workmanship for a period of one (1) year, reactor chamber for a period of seven (7) years and all remaining parts of the Product including the control for a period of (2) years from the date of purchase with receipt as proof of purchase. This warranty shall apply only to the original end-user of the Product.

If the Product or any warranted component is found defective, the manufacturer, at its sole option, will repair or replace such Product or warranted component, or will refund all or a pro-rated portion of the Product's purchase price. You pay only freight for repaired or replaced parts from our factory and local dealer charges, including but not limited to labor charges, travel and transportation expenses, and handling fees.

This warranty shall not apply to any part damaged by accident, fire, flood, freezing, Act of God, bacterial attack, filter fouling and/or scaling, sediment, misapplication, neglect, alteration, installation, or operation contrary to our printed instructions, or by use of accessories or components which do not meet PURA specifications. If the drinking water system is modified by anyone other than an authorized PURA dealer, the warranty shall be void.

ALL IMPLIED WARRANTIES, INCLUDING WITHOUT LIMITATION WARRANTIES OF MERCHANTABILITY AND FITNESS FOR PARTICULAR PURPOSE, ARE LIMITED IN DURATION TO THE PERIOD SPECIFIED ABOVE FOR PRODUCT AND COMPONENTS DESCRIBED IN THIS LIMITED WARRANTY.

As a manufacturer, we do not know the characteristics of your water supply. The quality of water supplies may vary seasonally or over a period of time. Your water usage may vary as well. Water characteristics can also change if the Product is moved to a new location. For these reasons, we assume no liability for the determination of the proper equipment necessary to meet your requirements, and we do not authorize others to assume such obligations for us. Further, we assume no liability and extend no warranties, expressed or implied, for the use of this product with a water source that does not meet the Conditions For Use in the Installation Guide & Owner's Manual.

THE MANUFACTURER'S OBLIGATIONS UNDER THIS WARRANTY ARE LIMITED TO THE REPAIR OR REPLACEMENT OF THE FAILED PRODUCT OR COMPONENTS OR THE REFUND OF THE PURCHASE PRICE (AT WATERGROUP'S OPTION), AND WE ASSUME NO LIABILITY WHATSOEVER FOR DIRECT, INDIRECT, INCIDENTAL, CONSEQUENTIAL, SPECIAL, GENERAL, OR OTHER DAMAGES, WHETHER FROM CORROSION OR OTHER CAUSES.

Some states do not allow limitations on how long an implied warranty lasts, so the above limitation may not apply to you. Similarly, some states do not allow exclusion of incidental or consequential damages, so the above limitations or exclusions may not apply to you. This warranty gives you specific legal rights, and you may also have other rights, which vary from state to state. Consult your authorized PURA Dealer for warranty and service information.

For parts or service, contact:



WATERGROUP INC.
FRIDLEY, MN
1-800-354-7867

WATERGROUP COMPANIES INC.
REGINA, SK · CAMBRIDGE, ON
1-877-288-9888

www.watergroup.com