

# StreamLabs® Control Specifications Sheet



## Description

The StreamLabs® Control valve features patented ultrasonic technology for real-time water monitoring, smart leak detection, and automatic shut off to stop leaks in their tracks. Just one StreamLabs control will protect your entire home from costly water damage and provide you with complete control from anywhere through our free app.

### Features

- 24/7 leak protection with automatic shut-off functionality
- SmartAlerts™ learning leak detection
- Home & Away leak detection modes
- Inline water pressure, humidity, & temperature sensors
- Automatic monthly valve check to ensure proper operation
- 2 year full product warranty



UFCV-0101XXXX  
Full SKU list on back.

## Specifications

<b>App Compatibility</b>	iOS, compatible with iPhone or iPad, Android, compatible with phone or tablet*
<b>Compatible Pipe Sizes</b>	3/4", 1", 1-1/4" Copper Tube Size (CTS) – Depending on fittings
<b>Compatible Pipe Types</b>	<b>SharkBite Fittings:</b> PEX; Copper Type M & L; CPVC; PE-RT**
	<b>Threaded Connection:</b> Any pipe type
<b>Universal Power Supply</b>	Input: 100-240VAC ~50/600Hz, 0.5A; Output: 12 V @ 1 A UL Listed (included)
<b>Water Temperature</b>	min. 40°F (4.4°C) / max. 105°F (40°C)
<b>Operating Pressure</b>	max. 200 psi (14 bar) Limited by Pipe
<b>Ambient Temperature</b>	min. 32° F (0° C) / max. 115° F (46.1° C)
<b>Operating Environment</b>	Indoor use only, unless installed inside optional outdoor enclosure
<b>IP Rating:</b>	IP 54 / 56 Rating***
<b>Network</b>	Wi-Fi 802.11b/g/n, 2.4 GHz

\*Contact StreamLabs support for most up-to-date compatible version.

\*\* 1-1/4" SharkBite fitting not approved for PE-RT use

\*\*\*IP 54 rated for indoor use, IP 56 rating achievable with available outdoor enclosure

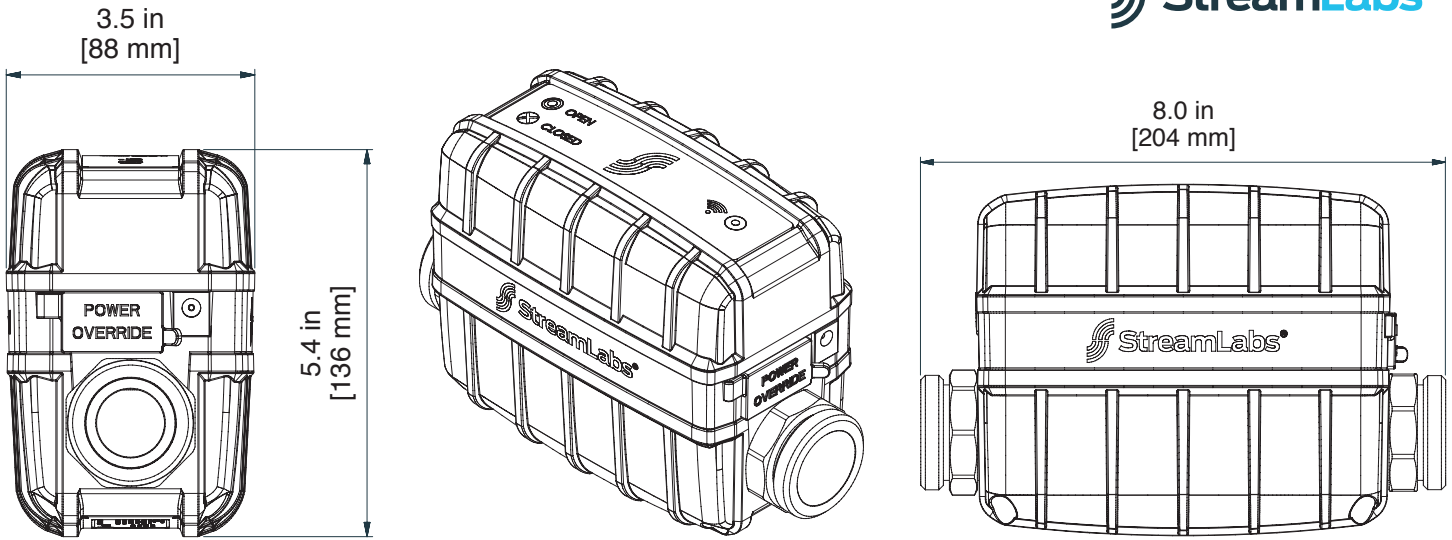
## Product Detection Settings

Settings	Definable*
Slow Leak	0.1, 0.25, 0.5, 1.0 GPM for 5, 10, 15, 20, 30, or 60 mins
Major Leak	2.0, 4.0, 6.0 GPM for 2.5, 5, 10, 15, 20, or 30 mins
Away Mode	0.1 GPM for 15 seconds
Smart Alert	Control can learn usage habits and notify of any abnormal usage and shut off the water (optional)
Drip Detect	Daily, Weekly, or Monthly Test
Pressure Alert	Too Low: 30 psi, Low: 40 psi, High: 70 psi, Too High: 80 psi
Humidity Alert	Too High: 60%
Water Temperature Alert	Too Low: 40°F, Low: 50°F, High: 80°F, Too High: 90°F
Ambient Temperature Alert	Alert when under 40°F

\*These settings are subject to change with updated software versions

## Listings and Approvals

NSF-61 NSF-372 FCC IC



### Wholesale StreamLabs SKU List

Fitting Type	Subscription Length	Part Number
<b>Wholesale</b>		
3/4" SharkBite PRO	1 Year Subscription	UFCV-01013001
1" SharkBite PRO	1 Year Subscription	UFCV-01013002
1-1/4" SharkBite PRO	1 Year Subscription	UFCV-01013003
3/4" FNPT PRO	1 Year Subscription	UFCV-01013011
1" FNPT PRO	1 Year Subscription	UFCV-01013012
1-1/4" FNPT PRO	1 Year Subscription	UFCV-01013013