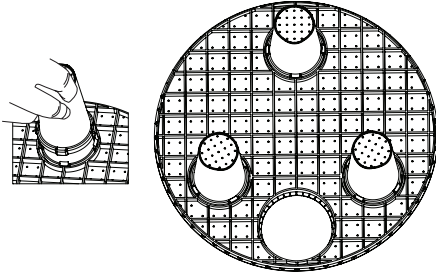


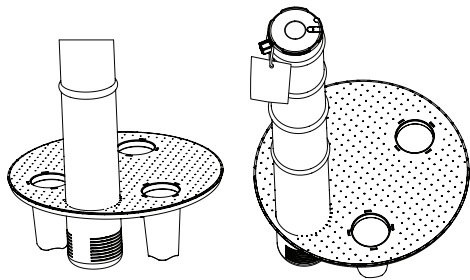
Brine Tank Assembly Quick Set Up Manual

Assembling Brine Tank

a. Attach the three brine grid legs to grid plate. The legs will snap on to the tabs of the salt plate making a "click" sound. For square brine tank there are four legs.

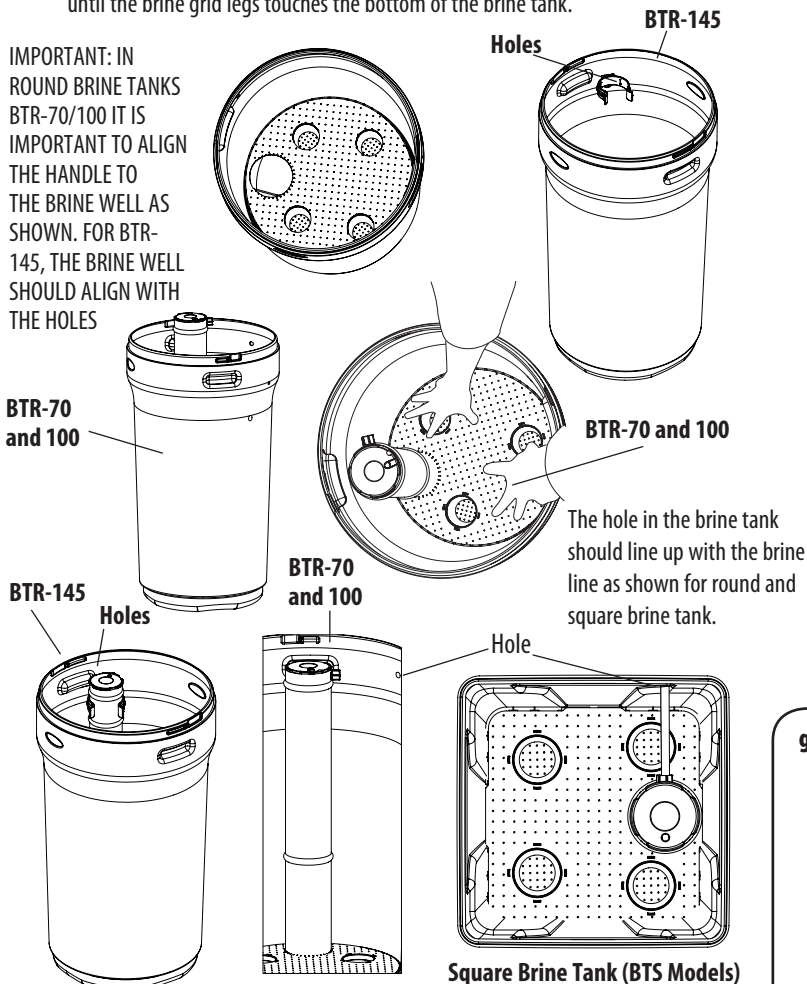


b. Insert the brine well assembly inside the grid plate as well below.

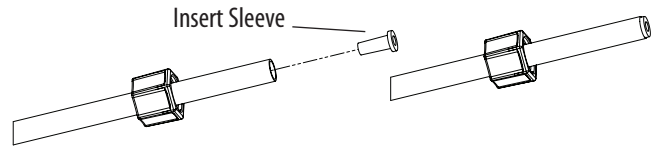


c. Drop the brine grid with brine well inside the brine tank such that the nut fitting faces the hole on the brine tank. Then press the grid evenly inside the brine tank until the brine grid legs touches the bottom of the brine tank.

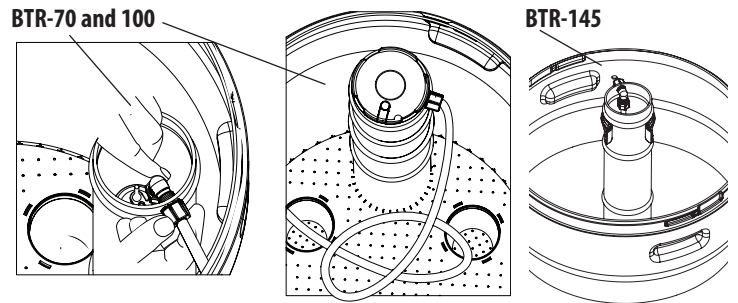
IMPORTANT: IN ROUND BRINE TANKS BTR-70/100 IT IS IMPORTANT TO ALIGN THE HANDLE TO THE BRINE WELL AS SHOWN. FOR BTR-145, THE BRINE WELL SHOULD ALIGN WITH THE HOLES



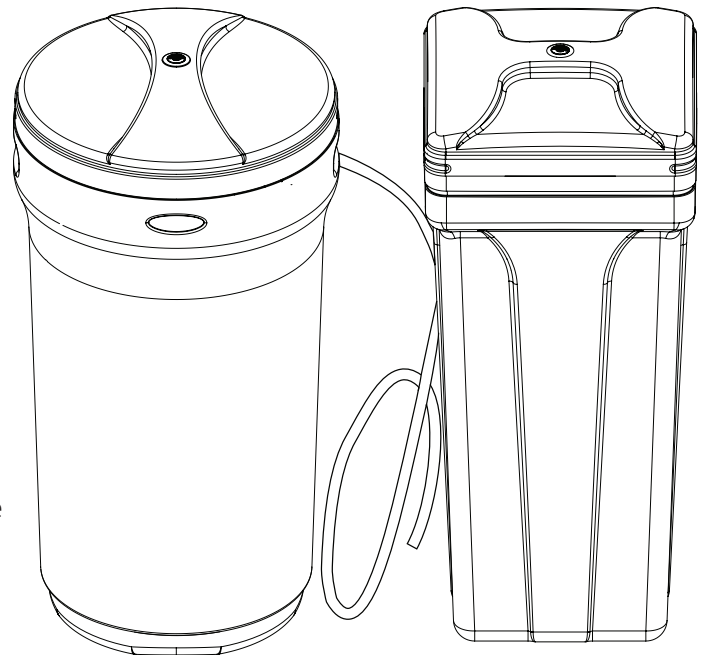
d. Take the brine tube and insert the nut and plastic sleeve as shown below.



e. Insert the tube in the float assembly elbow and hand tighten the nut. In many cases the brine line already come installed from the factory. Leave the other end of the brine line tube inside the brine tank



f. For installation of brine tank at the installation site, pull the other end of the brine tube from the hole on the brine tank. The completed assembly is shown below:



g. Add water to the brine tank as per the below chart below at the time of installation:

BTS-70 - 2.25 US Gallons (LXWXH - 15.8" x 32.1")

BTS-90 - 3 US Gallons (LXWXH - 14" x 32.1")

BTS-100 - 2.25 US Gallons (LXWXH- 15.0" x 15.0" x 34.7")

BTR-100 - 2.5 US Gallons (LXWXH- 18.1" x 34.7")

BTR-145 - 3.25 US Gallons (LXWXH- 20.3" x 37.4")

BTR-200 - 5.5 US Gallons (LXWXH- 23.0" x 40.5")