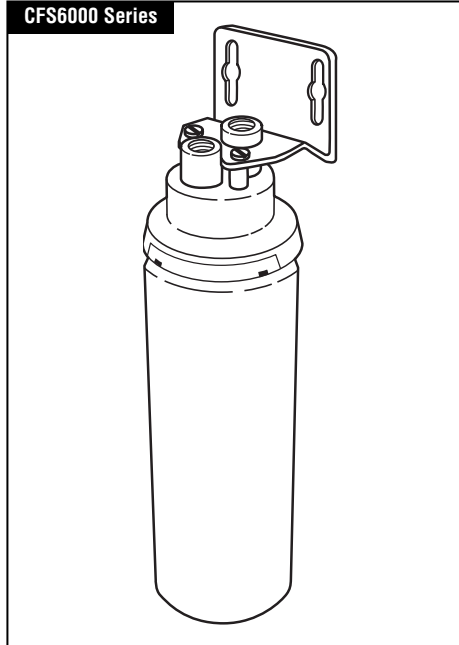


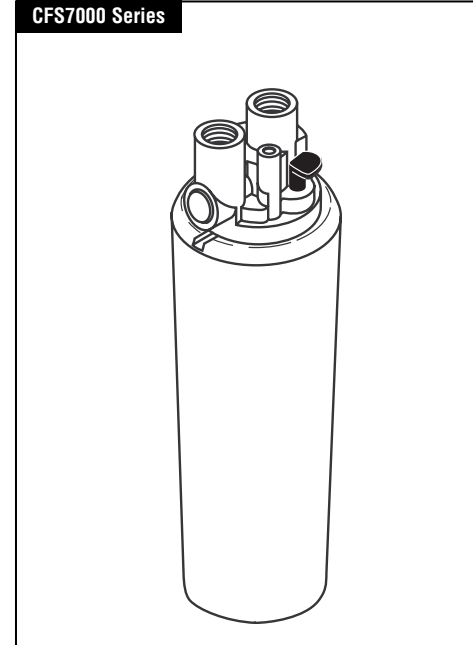
Installation and Operating Instructions

For CUNO® Food Service CFS6000 and CFS7000 Series Water Filter Systems



CFS6000 Series
Automatic Shut-off • Particulate and Chlorine Reduction •
Optional Scale/Corrosion and Cyst Reduction

Your new CFS6000 Series water filter system is designed to be installed on the cold water line. The CFS6000 Series features its own automatic shut-off, thereby eliminating the need for a shut-off valve on the incoming supply line. Note: It is advisable to install a drain valve after the system for routine maintenance. A flush kit can be purchased separately if a drain valve is not desired. See the CUNO® Food Service Price List for part number and price.



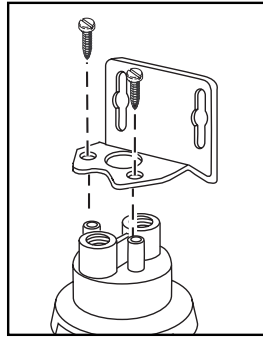
CFS7000 Series
Sanitary Quick Change (SQC) • Particulate and Chlorine
Reduction • Optional Scale/Corrosion and Cyst Reduction

Your new CFS7000 Series water filter system is designed to be installed on the cold water line. This filter system requires a shut-off valve installed on the inlet water line, preferably near the filter for convenience.

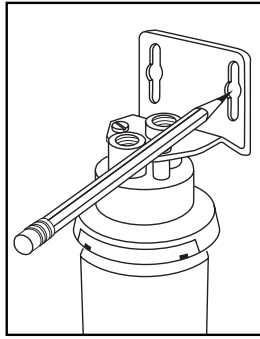
INSTALLATION PRECAUTIONS

- The filter **must** be installed with the inlet and outlet as labeled. Make sure not to reverse connections.
- **Do not** install on hot water line. Maximum temperature allowed is 100°F (38°C).
- **Do not** install on line pressure above 125 psi (862 kPa).
- **Do not** use wicking or sealer for fitting connections into head of filter. Use Teflon® Tape for connections.
- **Do not** use torch or other high temperature sources near filter system.
- **Do not** install near electric wires or water pipes which will be in the path of drill when selecting the position to mount the bracket.
- **Do not** install in direct sunlight.
- Protect from freezing. Drain filter when room temperature drops below 40°F (4.4°C).
- Allow minimum of 2" (5 cm) clear space under filter to facilitate cartridge change.
- Mount filter in such a position as to prevent it from being struck by other items.
- Installation must comply with existing state or local plumbing codes.
- **Do not use with water that is microbiologically unsafe or of unknown quality without adequate disinfection before or after the system.**
- **Systems certified for cyst reduction may be used on disinfected waters that may contain filterable cysts.**

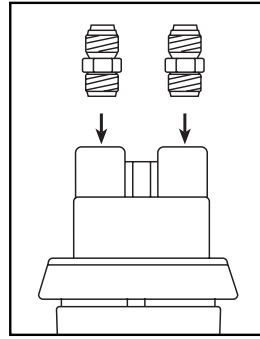
Installing CFS6000 Series



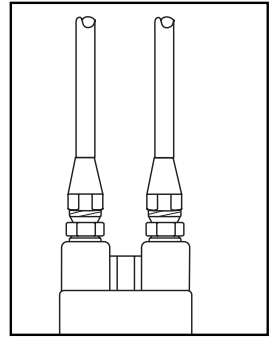
Step 1



Step 2



Step 3



Step 4

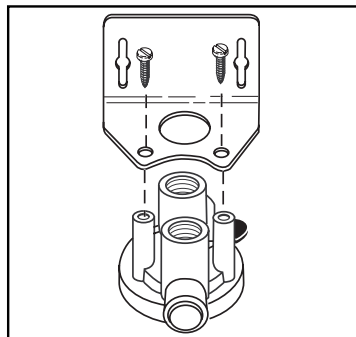
Procedure for Installing CFS6000 and CFS7000 Series Filter Systems

Before starting, close shut-off valve on cold water line

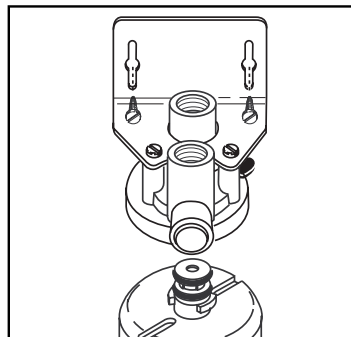
CFS6000 series and CFS7000 series - Bracket can be installed either up or down.

- Step 1.** Attach the mounting bracket to the filter head with the two mounting screws (provided).
- Step 2.** Install filter cartridge into filter head. (See Replacement Cartridge Change Instructions). Position filter bracket by holding it up against the mounting surface. Allow at least 2" (5 cm) of clearance below the cartridge to facilitate cartridge removal. Mark the mounting hole locations onto the mounting surface. Secure bracket to mounting surface using appropriate mounting hardware. The unit may be mounted either vertically or horizontally.
- Step 3. CFS6000 Series** - The inlet/outlet connections are 3/8" female pipe threads. Appropriate fittings/piping/ tubing tools vary by requirements of each installation. The CFS6000 Series contains an internal shut-off valve in the filter head, therefore, no external shut-off valve is required. Be sure to always use Teflon[®] tape to seal tapered threads. **Important: Do not use acid base pipe sealers or wicking on plastic filter head.**
- CFS7000 Series** - The inlet/outlet connections are 3/8" female pipe threads. Appropriate fittings/piping/ tubing tools vary by requirements of each installation. Shut-off valves should be installed on both the inlet and outlet water lines. Be sure to always use Teflon[®] Tape to seal tapered threads. **Important: Do not use acid base pipe sealers or wicking on plastic filter head.**
- Step 4.** Make any required connections and pressurize system to check for leaks. If none are apparent, flush new cartridge for a minimum of five minutes to remove any trapped air or carbon fines. The filter system is now ready for service.

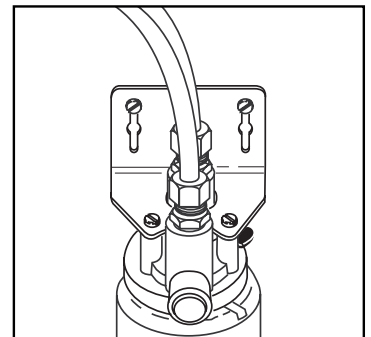
Installing CFS7000 Series



Step 1



Step 2

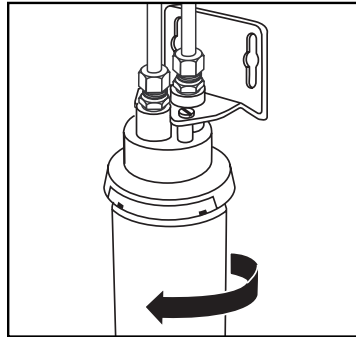


Step 3

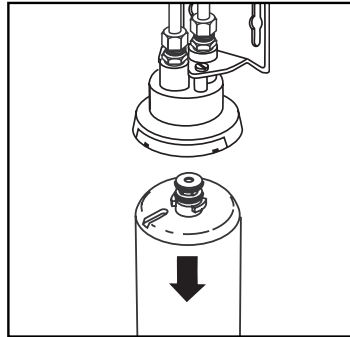
Replacement Cartridge Change Instructions for CFS6000 and CFS7000 Series

Replace cartridge when there is a decrease in water flow or when objectionable taste and/or odors return. It is recommended that the cartridge be changed at least every six months. Always have spare cartridges on hand.

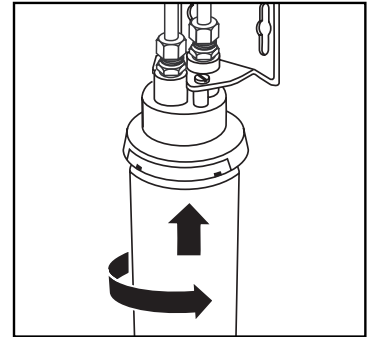
Changing CFS6000 Series Cartridges



Step 1



Step 2

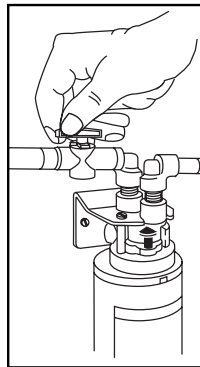


Step 3

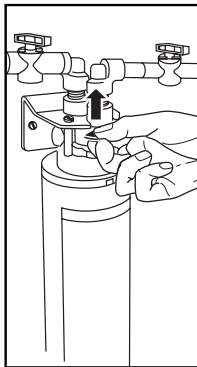
CFS6000 Series

- Step 1.** Turn cartridge slowly, approximately 90° to the left until it hits a stop and the slot on the cartridge lines up with the word “Off” on the head. At this position, the inlet and outlet ports have been closed and the filter’s internal pressure has been relieved.
- Step 2.** Pull used cartridge straight down and discard. **Note: There is a small amount of residual water drainage after pressure is relieved and during cartridge removal.**
- Step 3.** Push new cartridge into head with slot on cartridge in line with the word “Off” on head. Top surface of cartridge will become flush with bottom of head when fully engaged. Turn cartridge approximately 90° to the right until it hits a stop. Flush new cartridge for a minimum of five minutes to remove any trapped air or carbon fines. The system is now ready for service.

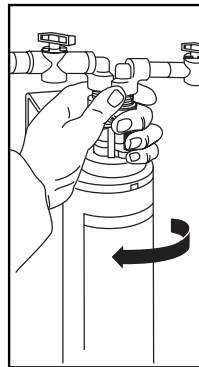
Changing CFS7000 Series Cartridges



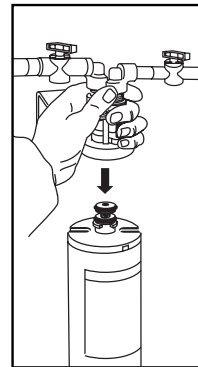
Step 1



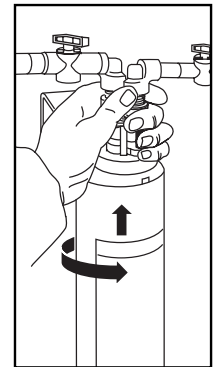
Step 2



Step 3



Step 4



Step 5

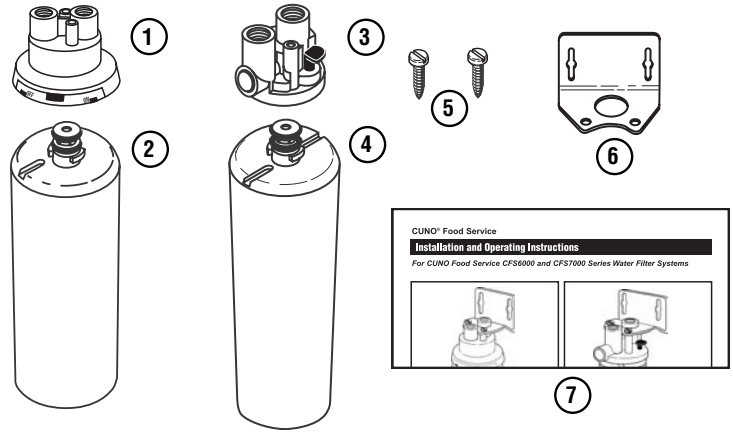
CFS7000 Series

- Step 1.** Close shut-off valves on inlet and outlet lines to filter head.
- Step 2.** Lift red knob upward and hold.
- Step 3.** While holding red knob up, turn cartridge to the left while grasping cartridge securely. Pull cartridge straight down and discard. **Note: There is a small amount of residual water drainage after pressure is relieved and during cartridge removal.**
- Step 4.** Align tabs of cartridge with head and insert new cartridge into head. Turn cartridge to the right until a clicking sound indicates the cartridge is properly engaged.
- Step 5.** Place inlet and outlet shut-off valves in operating positions.
- Step 6.** Flush new cartridge for a minimum of five minutes to remove trapped air and carbon fines. The system is now ready for service.

You should have these parts with your filter:

1. CFS6000 Series Head Assembly - CFS560
P/N : 68567-01
2. CFS8000 Series Cartridge
3. CFS7000 Series Head Assembly - CFS570
P/N : 68375-01
4. CFS8000 Series Cartridge
5. Bracket Attachment Screws (2)
P/N : 68414-07
6. Mounting Bracket
P/N : 68963-31
7. Installation Instructions

For replacement cartridges or other replacement parts contact your authorized CUNO® Food Service Distributor.



Specifications - CFS6000 & CFS7000 Series

Compact Length System

Model	Connection Size	Dimensions		Service Flow Rate	Water Temperature	Water Pressure
		Height	Max. Diameter			
CFS6000 Series	3/8" NPT	12 9/16" (31.9 cm)	3 5/8" (9.2 cm)	See PDS Sheet	40-100°F (4.4-38°C)	25-125 psi (172-862 kPa)
CFS7000 Series	3/8" NPT	12" (30.5 cm)	3 1/4" (8.3 cm)	See PDS Sheet	40-100°F (4.4-38°C)	25-125 psi (172-862 kPa)

Standard Length System

Model	Connection Size	Dimensions		Service Flow Rate	Water Temperature	Water Pressure
		Height	Max. Diameter			
CFS6000 Series	3/8" NPT	15 3/4" (40 cm)	3 5/8" (9.2 cm)	See PDS Sheet	40-100°F (4.4-38°C)	25-125 psi (172-862 kPa)
CFS7000 Series	3/8" NPT	15 1/4" (38.7 cm)	3 1/4" (8.3 cm)	See PDS Sheet	40-100°F (4.4-38°C)	25-125 psi (172-862 kPa)

Extended Length System

Model	Connection Size	Dimensions		Service Flow Rate	Water Temperature	Water Pressure
		Height	Max. Diameter			
CFS6000 Series	3/8" NPT	20 1/16" (51 cm)	3 5/8" (9.2 cm)	See PDS Sheet	40-100°F (4.4-38°C)	25-125 psi (172-862 kPa)
CFS7000 Series	3/8" NPT	19 1/2" (49.5 cm)	3 1/4" (8.3 cm)	See PDS Sheet	40-100°F (4.4-38°C)	25-125 psi (172-862 kPa)

LIMITED ONE-YEAR WARRANTY

CUNO Incorporated warrants to the original purchaser-consumer of its Product that it is free of defects in materials and workmanship. Any defect, malfunction, or other failure of the product to conform to this Warranty will be remedied by CUNO in the manner provided below.

This Warranty, together with any or all warranties implied by law, shall be limited to a duration of one (1) year from the date of original purchase by the consumer.

This Warranty does not apply to defects that result from abuse, misuse, alteration or damage not caused by CUNO.

IMPORTANT: To file a claim under this Warranty, you must complete and mail the Warranty registration card supplied with this Product to CUNO at the address below within ten (10) days of original retail purchase.

THIS WARRANTY DOES NOT COVER, AND IS INTENDED TO EXCLUDE, ANY LIABILITY ON THE PART OF CUNO, WHETHER UNDER THIS WARRANTY OR UNDER ANY WARRANTY IMPLIED BY LAW, FOR ANY INDIRECT OR CONSEQUENTIAL DAMAGES FOR BREACH HEREOF OR THEREOF.

Note: Some states prohibit limitations on the duration of implied warranties and on the exclusion of indirect or consequential damages; and so the above limitation on implied warranties and on incidental and consequential damages may not be applicable to you. **RESPONSIBILITY OF CUNO:** CUNO's responsibility under this warranty shall be to repair at its expense, at no charge to the original purchaser-consumer, any Product that is actually defective, malfunctioning, or otherwise in violation of this Warranty.

If CUNO for any reason cannot repair a Product covered hereby within two (2) weeks after receipt of the original purchaser-consumer's notification of a Warranty claim, then CUNO's responsibility shall be, at its option, either to replace the defective Product with a comparable new unit at no charge to the consumer or to refund the full purchase price. CUNO's obligation to repair, replacement, or refund are conditioned on the consumer's return of the defective product to CUNO.

If any Product covered hereby is actually defective within the terms of this Warranty, then CUNO will bear all the reasonable and proper shipping or mailing charges actually incurred in the consumer's return of the Product as set forth herein. If the Product proves not to be defective within the terms of this Warranty then all costs and expenses in connection with processing the consumer's claim hereunder shall be borne by the consumer.

RESPONSIBILITY OF THE CONSUMER: The original purchaser-consumer's sole responsibility in the instance of a Warranty claim shall be to notify CUNO of the defect, malfunction, or other manner in which the terms of this Warranty are violated. You may secure performance of obligations hereunder by (in writing)

1. Identifying the Product involved (by model or serial number or other sufficient description that will allow CUNO to determine which Product is defective).
2. Specifying where, when, and from whom the Product was purchased.
3. Describing the nature of the defect, malfunction, or other violation of this Warranty.
4. Sending such notification together with the defective Product to:

CUNO Incorporated 400 Research Parkway, Meriden, Connecticut 06450

THIS WARRANTY GIVES YOU SPECIFIC LEGAL RIGHTS, AND YOU MAY ALSO HAVE OTHER RIGHTS, WHICH VARY FROM STATE TO STATE.



CUNO Incorporated
400 Research Parkway
Meriden, CT 06450, USA
Toll Free: 1-888-218-CUNO
Worldwide: 203-237-5541
Fax: 203-238-8701

www.cunofoodservice.com • www.cuno.com