

# EZ-RO™ 200/2G REVERSE OSMOSIS SYSTEM

System Part Number: EV9975-51



EZ-RO 200/2G  
wall mount



EZ-RO 200/2G  
with optional  
floor stand bracket



2-gallon hydropneumatic tank

## SYSTEM DESCRIPTION

Leveraging proprietary technology, the **EZ-RO 200/2G** system uses Reverse Osmosis (RO) to reduce Total Dissolved Solids (TDS); it provides up to 200 gal/day (757 L/day)\* and includes a two-gallon (7.6 L) hydropneumatic tank. Ideal for applications where RO is necessary to meet manufacturer's warranty requirements†.

## APPLICATIONS

- ◆ Combi ovens
- ◆ Steamers
- ◆ Proofers

## FEATURES • BENEFITS

- ◆ Meets combi oven and steamer equipment water quality standards; known to significantly reduce scale and corrosion problems due to high TDS, water hardness\*, and chlorides†
- ◆ 4CM cartridge provides optimal mineral content for proper function of conductivity sensors on steam equipment
- ◆ Non-electric design operates on available water pressure†
- ◆ Sealed hydropneumatic storage tank provides capacity and pressurized water to downstream equipment
- ◆ Compact design allows installation under counters and in tight spaces
- ◆ Pressure gauge allows monitoring of RO inlet pressure and prefilter condition
- ◆ Built-in bypass, sample port and flush valves speed up installation and cartridge replacement
- ◆ Proprietary Fibredyne™ II filtration media effectively inhibits growth of bacteria on the filter media that can decrease product life. Also can reduce sediment and chlorine to help protect the RO membrane\*
- ◆ High flow 1/2" ID hose optimized water line to equipment
- ◆ Installation kit comes complete with tubing, fittings, and mounting hardware for installation
- ◆ High efficiency RO membrane saves up to two times more water than standard RO membranes‡
- ◆ Numerous patents pending on technology and other aspects of the product design

## INSTALLATION TIPS

- ◆ Feed water connection to system—should be COLD only. Tempered water up to 80°F (26.6°C) can be used.
- ◆ Do not exceed system specifications for temperature and pressure.
- ◆ Provide a dedicated feed water supply connection of at least 3/8" inner diameter.
- ◆ For use with steam generation only. Do not use for condensate or wash water.
- ◆ Allow 3" clearance below system for filter cartridge removal and replacement.
- ◆ Detailed, illustrated installation guide is included with each system.

\*Not performance tested or certified by NSF.

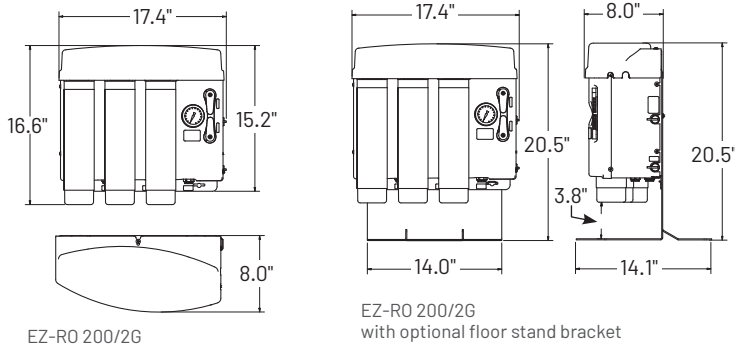
† When installed, serviced and maintained according to Pentair Everpure Installation Operation Instructions.

‡ Up to 50% recovery compared to standard RO systems with 25% recovery.

EPA Est. 002623-IL-003

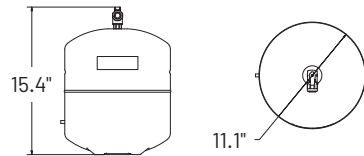
# EZ-RO™ 200/2G REVERSE OSMOSIS SYSTEM

EV9975-51



EZ-RO 200/2G

EZ-RO 200/2G  
with optional floor stand bracket



2-gallon hydropneumatic tank

## SPECIFICATIONS

System	System
<b>Overall Dimensions - Processor</b> 16.6" H x 17.4" W x 8.0" D (42.2 cm x 44.2 cm x 20.3 cm)	<b>Shipping Weight</b> 33.5 lbs (15.2 kgs)
<b>Tank Dimensions &amp; Capacity</b> 15.4" H x 11.1" DIA (39.1 cm x 28.2 cm) 2 gallons (7.6 L)	<b>Electrical Connection</b> None required
<b>Connections</b> Inlet: 3/8" push-to-connect Outlet: 1/2" OD push-to-connect; 3/4" garden hose connection included	<b>Performance</b> <b>Daily Production Rate</b> Up to 200 gpd (757 Lpd)* nominal at 77°F (25°C), 750 ppm NaCl, 60 psi (4.1 bar) feed water pressure*; production will vary based on water supply temperature and pressure
<b>Pressure Requirements</b> 50 - 100 psi (3.5 - 6.9 bar), non-shock	<b>Service Flow Rate</b> Dependent on water level and pressure in storage tank
<b>Water Temperature</b> 40-100°F (4 - 38°C)	

\*Not performance tested or certified by NSF.

## OPTIONS

Model	Description	Part No
PRV	Pressure reducing valve	164-89938
Air Gap Kit	Air gap approved for drain	164-89905
EZFS	Floor stand bracket	EV3159-68
Mixing Valve	Thermostatic mixing valve	EV3114-79

## REPLACEMENT CARTRIDGES

Model	Qty	Description	Part No
4FC5-S	1	Prefilter	EV9693-31
EZ-200	1	RO membrane	EV9628-92
4CM	1	Mineral addition	EV9627-80

It is recommended that pre-/post-filters and mineral addition cartridges are changed every six (6) months, when capacity is reached, or when feed water pressure or flow becomes inadequate.

The contaminants or other substances removed or reduced by this drinking water system are not necessarily in your water. Do not use with water that is microbiologically unsafe or of unknown quality without adequate disinfection before or after the system.

Since the conditions under which our products may be used are beyond our control, we cannot accept any liability with respect to the improper installation, application and/or use of our products.



System is Tested and Certified by NSF International against NSF/ANSI 58 and CSA B483.1 for the reduction of Total Dissolved Solids (TDS).

### Feed Water Chemistry

Feed TDS	Up to 1000 ppm	Turbidity	<1.0 NTU
Feed pH	5-10	Manganese	<0.05 mg/L max
Hardness <sup>†</sup>	12 grains/gal or less	Hydrogen Sulfide	0.00 mg/L
Free Chlorine	<3 mg/L	Silica	<20 ppm
Iron	<0.1 mg/L		

<sup>†</sup> For water outside of these parameters, call Pentair Customer Service.



For Pentair Everpure Product Warranties visit:  
<http://pentair.com/assets/foodservice-warranty>

For Pentair Patent Information visit:  
<http://pentair.com/patents>

United States | 1040 Muirfield Drive | Hanover Park, IL 60133 | 800.942.1153 (US Only) 630.307.3000 Main | [cseverpure@pentair.com](mailto:cseverpure@pentair.com) | [foodservice.pentair.com](http://foodservice.pentair.com)  
 Australia | 1-21 Monash Drive | Dandenong South, Vic 3175 | Australia | 011.1300 576 190 Tel | [au.everpure@pentair.com](mailto:au.everpure@pentair.com)  
 China | 21F Cloud 9 Plaza, NO 1118 | Shanghai, 200052 | China | 86.21.3211.4588 Tel | [china.water@pentair.com](mailto:china.water@pentair.com)  
 India | Boulevard, B-9/A, 7th Floor - Tower B Sector 62 | Noida - 201301 | 91.120.419.9444 Tel | [indiacustomer@pentair.com](mailto:indiacustomer@pentair.com)  
 Europe | Pentair Water Belgium BV | Industriepark Wolfstee, Toekomstlaan 30, B-2200 Herentals | Belgium | +32.(0).14.283.504 Tel | [sales@everpure-europe.com](mailto:sales@everpure-europe.com)  
 Japan | Japan Inc. | Hashimoto MN Bldg. 7F, | 3-25-1 Hashimoto, Midori-ku, Sagamihara-shi | Kanagawa 252-0143 | Japan | 81.(0)4.2775.3011 Tel | [info@everpure.co.jp](mailto:info@everpure.co.jp)  
 Southeast Asia | 390 Havelock Road, | #04-01 King's Centre | Singapore 169662 | 65.6768.5800 Tel | [cseverpure@pentair.com](mailto:cseverpure@pentair.com)

All indicated Pentair trademarks and logos are property of Pentair. Third party registered and unregistered trademarks and logos are the property of their respective owners.