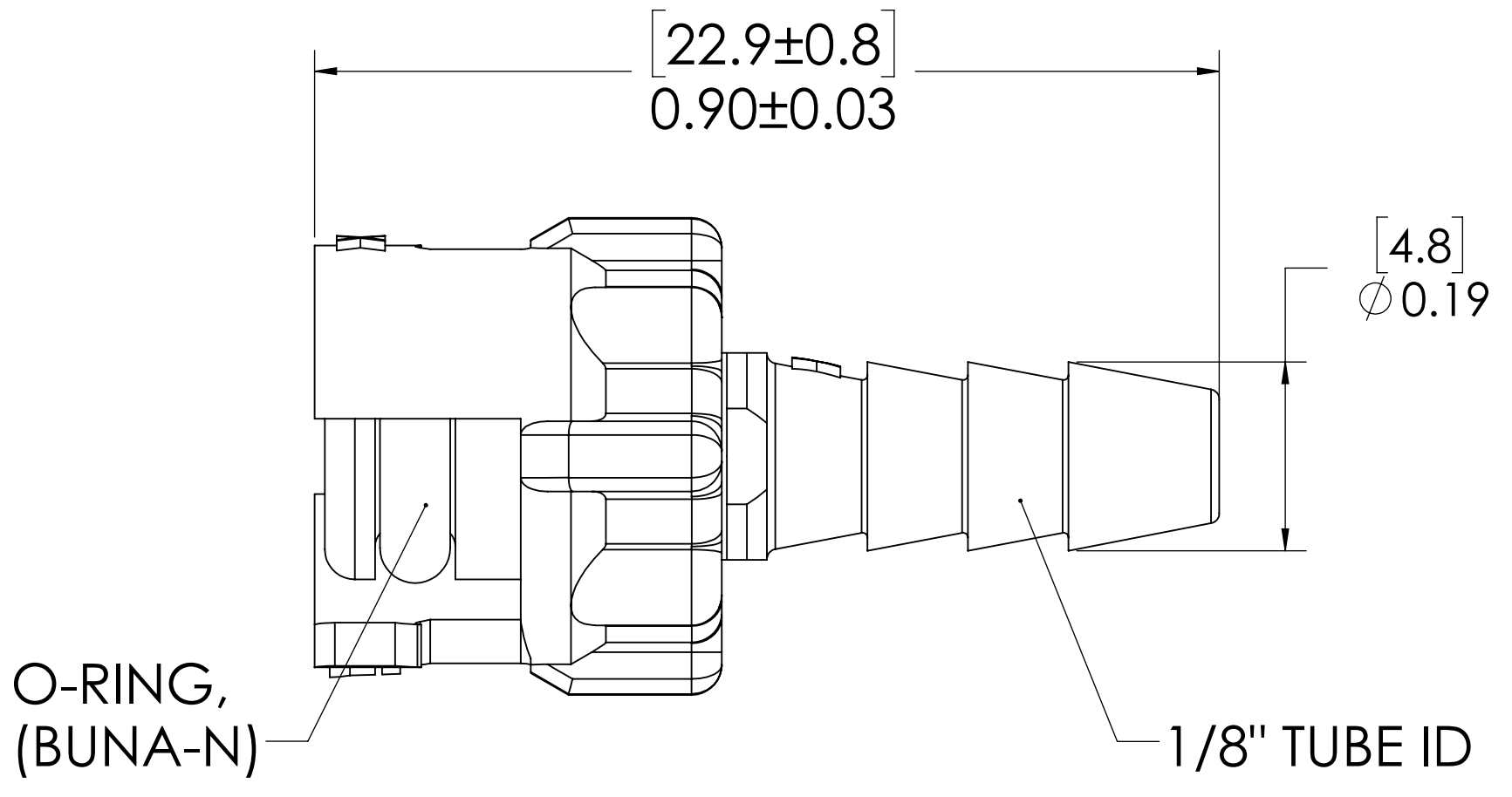
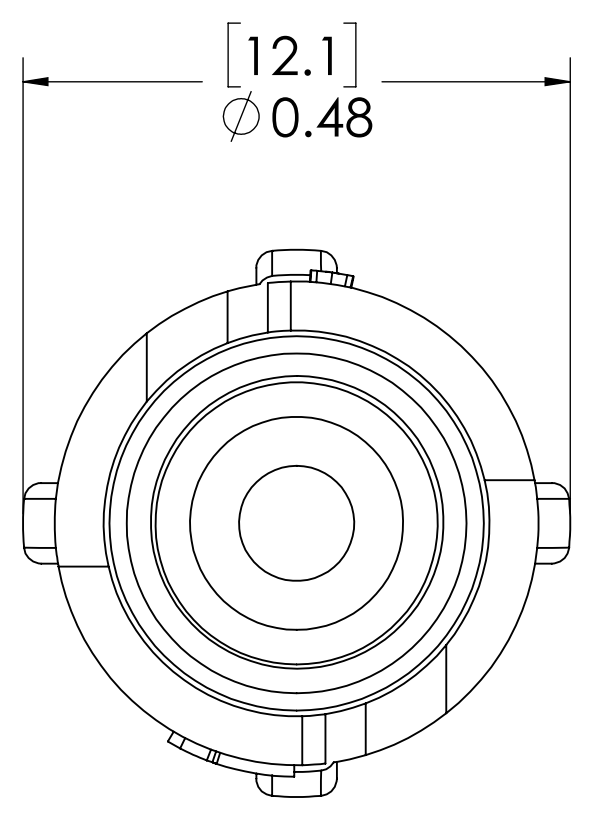
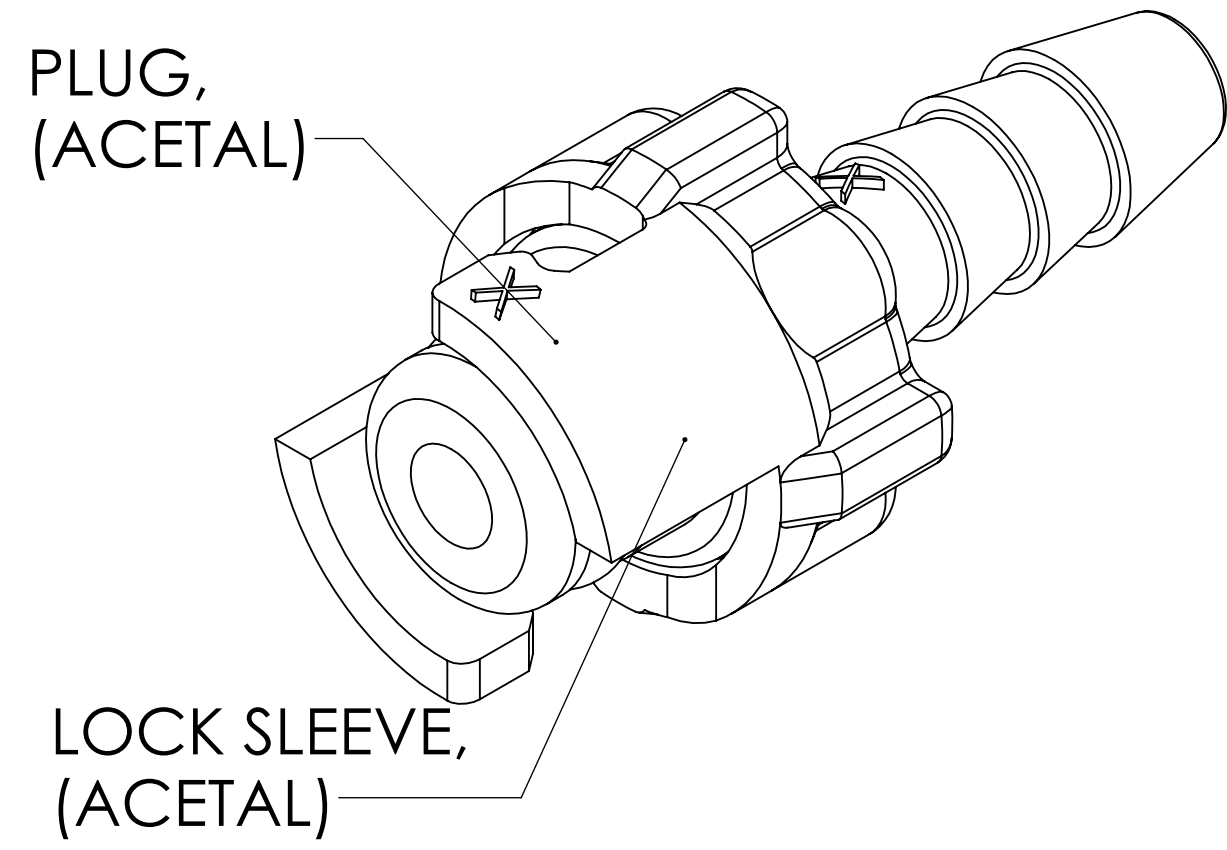


REVISIONS						
SHEET	ZONE	REV.	ECO	DESCRIPTION	DATE	APPROVED
1	E-4	A	UPDATE BARREL DESIGN	8/23/2012	HRC
1	ALL	A	50047	INITIAL RELEASE	6/11/2013	HRC
1	ALL	B	50253	UPDATE DWG TO CURRENT FORMAT & STANDARDS	5/7/2018	HRC



- NOTES:**
1. MATERIAL: ACETAL
 2. COLOR: NATURAL WHITE
 3. O-RING MATERIAL: BUNA-N
 4. O-RINGS LUBRICATED WITH FOOD GRADE SILICONE OIL, 350 CST.

FOR REFERENCE ONLY

<small>UNLESS OTHERWISE SPECIFIED: DIMENSIONS ARE IN INCHES TOLERANCES: FRACTIONAL $\pm 1/32$ ANGULAR: MACH ± 0.5 BEND ± 2 ONE PLACE DECIMAL ± 0.1 TWO PLACE DECIMAL ± 0.01 THREE PLACE DECIMAL ± 0.005 TWO PLACE DECIMAL (mm) $[\pm 0.12]$</small>	<small>DRAWN</small> HRC	<small>DATE</small> 08-07-17		
	<small>CHECKED</small> DHJ	<small>DATE</small> 04-10-12		<small>PART NO.:</small> 10AC-PB2-02
	<small>ENG APPR.</small> HRC	<small>DATE</small> 5-7-18		<small>DESCRIPTION:</small> LinkTech 10AC Series Straight Male, Non-valved, 1/8" HB, Natural Acetal
	<small>MFG APPR.</small> BDB	<small>DATE</small> 5/7/18		<small>SIZE DWG. NO.</small> C10AC100023
<small>PROPRIETARY AND CONFIDENTIAL</small> <small>THE INFORMATION CONTAINED IN THIS DRAWING IS THE SOLE PROPERTY OF LINKTECH LLC. ANY REPRODUCTION OR DISCLOSURE IN PART OR AS A WHOLE WITHOUT THE WRITTEN PERMISSION OF LINKTECH LLC IS STRICTLY PROHIBITED.</small>	<small>PURCHASING</small> RK	<small>DATE</small> 5/7/18	<small>REV</small> B	
<small>COMMENTS:</small>			<small>SCALE: NTS</small> <small>WEIGHT:</small> <small>SHEET 1 OF 1</small>	