

3M™ Water Filtration Products

SPEC# _____

QUANTITY _____

application: **COMPETITIVE RETRO-FIT REPLACEMENTS**

model:

9000 Series Cartridges



The 3M™ Water Filtration Products line of 9000 Series cartridges are an economical way to provide the benefits of 3M Water Filtration Products in competitive systems without incurring additional capital expense. A choice of medias such as graded density carbon with micron ratings from 0.5 to 5, as well as optional integrated scale inhibition provide solutions for varying water conditions. The 9000 Series cartridges do not require activation for functionality, allowing an operator to change the cartridge in seconds.

PRODUCT BENEFITS

- Fits in competitive systems.
- No pre-activation required.
- Sanitary Quick Change (SQC) encapsulated cartridges reduce contamination during change-outs.
- FDA CFR-21 and/or NSF compliant materials.

PRODUCT SPECIFICATIONS

Model Number	Part Number	Micron Rating	Chlorine Reduction, Hardness Capacity	Claims	Flow Rate
CFS9110	55721-01	5	N/A	Sediment Reduction	1.5 gpm (5.7 lpm)
CFS9112	55892-03	1	10,000 gal. (37,854 lit.)	Sediment, Chlorine Taste & Odor Reduction	
CFS9812X	56012-01	0.5	9,000 gal. (34,069 lit.)	Sediment, Chlorine Taste & Odor and Cyst Reduction	
CFS9720	55890-03	5	4,800 gal. (18,170 lit.)	Sediment, Chlorine Taste & Odor Reduction	
CFS9110-S	55721-03	5	N/A	Sediment Reduction and Scale Inhibition	
CFS9112-S	55892-01	1	10,000 gal. (37,854 lit.)	Sediment, Chlorine Taste & Odor Reduction and Scale Inhibition	
CFS9812X-S	56012-03	0.5	9,000 gal. (34,069 lit.)	Sediment, Chlorine Taste & Odor, Cyst Reduction and Scale Inhibition	
CFS9720-S	55890-01	5	4,800 gal. (18,170 lit.)	Sediment, Chlorine Taste & Odor Reduction and Scale Inhibition	
CFS9710	55891-03	5	2,400 gal. (9,085 lit.)	Sediment, Chlorine Taste & Odor Reduction	1 gpm (3.8 lpm)
CFS9710-S	55891-01	5	2,400 gal. (9,085 lit.)	Sediment, Chlorine Taste & Odor Reduction and Scale Inhibition	1 gpm (3.8 lpm)
CFS9005-IMF	55937-01	N/A	N/A	Scale Inhibition	2 gpm (7.6 lpm)
CFS9112EL	55892-13	1	12,600 gal. (47,696 lit.)	Sediment, Chlorine Taste & Odor Reduction	1.67 gpm (6.3 lpm)
CFS9812ELX	56012-05	0.5	14,000 gal. (52,996 lit.)	Sediment, Chlorine Taste & Odor and Cyst Reduction	
CFS9720EL	55890-05	5	5,500 gal. (20,820 lit.)	Sediment, Chlorine Taste & Odor Reduction	
CFS9112-ELS	55892-15	1	12,600 gal. (47,696 lit.)	Sediment, Chlorine Taste & Odor Reduction and Scale Inhibition	
CFS9812ELX-S	56012-07	0.5	14,000 gal. (52,996 lit.)	Sediment, Chlorine Taste & Odor, Cyst Reduction and Scale Inhibition	
CFS9720-ELS	55890-07	5	5,500 gal. (20,820 lit.)	Sediment, Chlorine Taste & Odor Reduction and Scale Inhibition	0.5 gpm (1.9 lpm)
SWC9135	55722-01	N/A	1,350 Grains	Scale Reduction	
SWC9135-C	55722-03	N/A	1,100 Grains	Sediment, Chlorine Taste & Odor and Scale Reduction	

9000 Series Replacements

3M™ Water Filtration Products

SPEC# _____
 QUANTITY _____
 MODEL NUMBER _____
 PART NUMBER _____

CROSS REFERENCE GUIDE

Standard			
Model #	Part #	Replaces	Flow Rate
CFS9110	55721-01	CV	1.5 gpm (5.7 lpm)
CFS9112	55892-03	MC ²	
CFS9812X	56012-01	MC ²	
CFS9720	55890-03	MC ² /2CB5/4CB5	
CFS9110-S	55721-03	MH ² /I-2000	
CFS9112-S	55892-01	MH ² /I-2000	
CFS9812X-S	56012-03	MH ² /I-2000/BH ²	
CFS9720-S	55890-01	MC ² /2CB5-S/4CB5-S	
CFS9710	55891-03	2CB5	1 gpm (3.8 lpm)
CFS9710-S	55891-01	BH ²	1 gpm (3.8 lpm)
CFS9005-IMF	55937-01	IMF	N/A

Extended			
Model #	Part #	Replaces	Flow Rate
CFS9110EL	55721-05	XCV	1.67 gpm (6.3 lpm)
CFS9112EL	55892-13	MC ² /XC ² /7CB5	
CFS9812ELX	56012-05	MC ² /XC ²	
CFS9720EL	55890-05	4CB5/7CB5	
CFS9110EL-S	55721-07	MH ² /I-4000	
CFS9112EL-S	55892-15	MH ² /I-4000	
CFS9812ELX-S	56012-07	MH ² /I-4000	
CFS9720EL-S	55890-01	4CB5-S/7CB5-S/I-4000	
SWC9135	55722-01	7S0	0.5 gpm (1.9 lpm)
SWC9135-C	55722-03	7S0	

⚠ WARNING

To reduce the risk associated with the ingestion of contaminants:

- Do not use with water that is microbiologically unsafe or of unknown quality without adequate disinfection before or after the system. Systems certified for cyst reduction may be used on disinfected water that may contain filterable cysts. EPA Establishment #070595-CT-001

LIMITED WARRANTY & LIABILITY

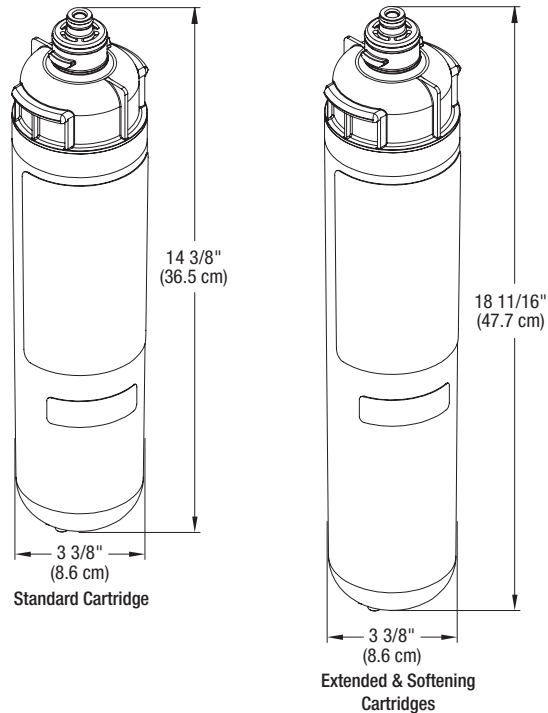
3M Purification Inc. warrants these Products will be free from defects in material and manufacture for one (1) year from the date of purchase. This warranty does not cover failures resulting from abuse, misuse, alteration or damage not caused by 3M Purification Inc. or failure to follow installation and use instructions. No warranty is given as to the service life of any filter cartridge or membrane as it will vary with local water conditions and water consumption. **3M PURIFICATION INC. MAKES NO OTHER WARRANTIES OR CONDITIONS, EXPRESS OR IMPLIED, INCLUDING, BUT NOT LIMITED TO, ANY IMPLIED WARRANTY OR CONDITION OF MERCHANTABILITY OR FITNESS FOR A PARTICULAR PURPOSE OR ANY IMPLIED WARRANTY OR CONDITION ARISING OUT OF A COURSE OF DEALING, CUSTOMER OR USAGE OF TRADE.** If the Product fails to satisfy this Limited Warranty during the warranty period, 3M Purification Inc. will replace the Product or refund your Product purchase price. This warranty does not cover labor. **The remedy stated in this paragraph is Customer's sole remedy and 3M Purification Inc's exclusive obligation. For additional information, see the entire Limited Warranty located in the System Installation and Operating Instruction Manual.**

Limitation of Liability: 3M Purification Inc. will not be liable for any loss or damage arising from the use of the Product(s), whether direct, indirect, special, incidental, or consequential, regardless of the legal theory asserted, including warranty, contract, negligence or strict liability. Some states do not allow the exclusion or limitation of incidental or consequential damages, so the above limitation may not apply to you.

SPECIFICATIONS

- Maximum operating pressure of 125 psi (862 kPa) and operating temperatures of 100°F (37.8°C).
- Materials are FDA CFR-21 and/or NSF compliant.
- Filter cartridges requires no pre-activation.

DIMENSIONS



CAUTION

- To reduce the risk associated with property damage due to water leakage:
- Read and follow Use Instructions before installation and use of this system.
 - The disposable filter cartridge **MUST** be replaced every twelve (12) months, at the rated capacity or sooner if a noticeable reduction in flow rate occurs.



3M Purification Inc.
 400 Research Parkway
 Meriden, CT 06450, U.S.A.
 Tel (888) 218-2866
 (203) 237-5541
 Fax (203) 238-8701
 www.cunofoodservice.com
 www.3Mpurification.com



Visit nsf.org for claims associated with products that are NSF listed.

Please recycle. Printed in U.S.A.
 3M is a trademark of 3M Company.
 © 2010 3M Company. All rights reserved.
 70-0201-9382-0 REV 1010