
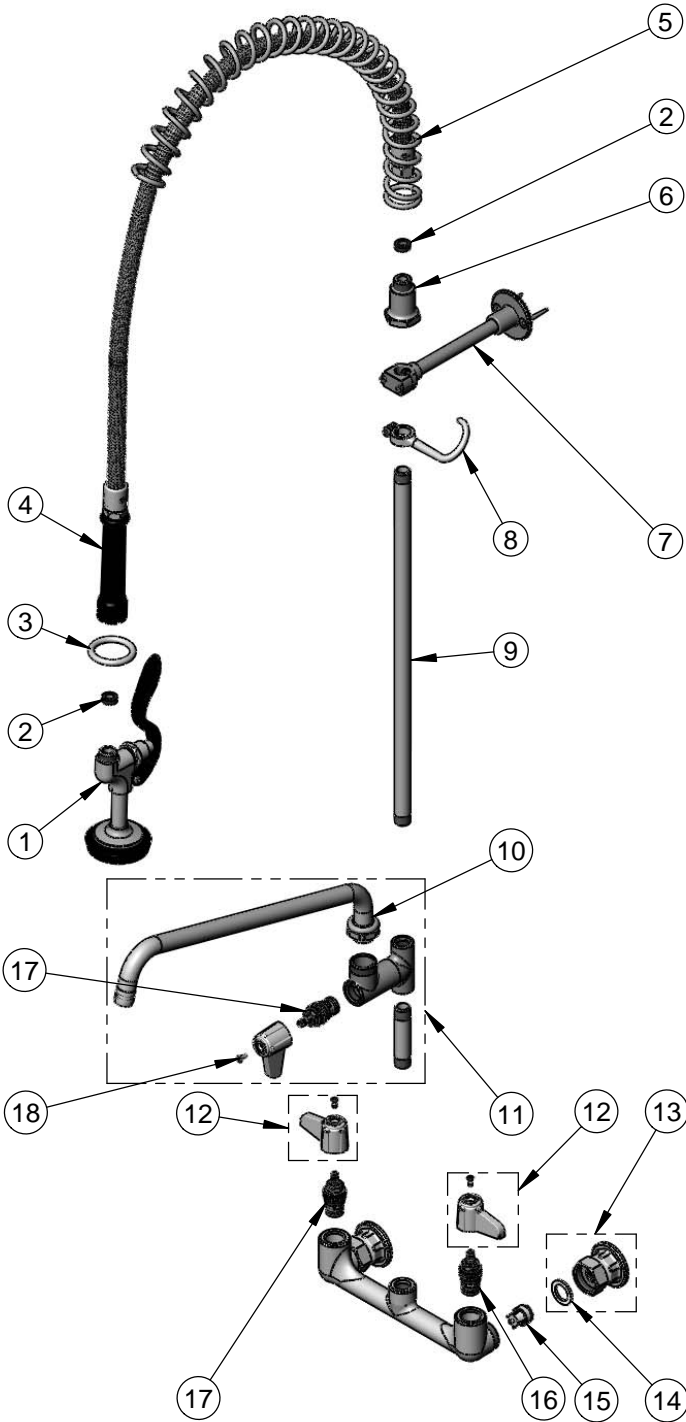


Model Number <b>5PR-8W14</b>	Date <b>08/08/12</b>	Scale <b>1:8</b>	Drawn <b>DHL</b>	Checked <b>DMH</b>	Approved <b>JHB</b>
---------------------------------	-------------------------	---------------------	---------------------	-----------------------	------------------------

	<b>Product Specifications:</b> <b>Pre-Rinse Unit: 8" Wall Mount Mixing Faucet w/ Ceramic Cartridges, Add-On Faucet w/ 14" Swing Nozzle, 5SV Spray Valve, 6" Wall Bracket, In-Line Check Valves &amp; 1/2" NPT Female Inlets</b>
	equip Foodservice Accessories 2 Saddleback Cove, P.O. Box 1088 Travelers Rest, South Carolina 29690 Phone: 800.891.4808 Fax: 800.868.0084



ITEM NO.	SALES NO.	DESCRIPTION
1	5SV	equip Spray Valve
2	010476-45	#27 Washer
3	000907-45	Spray Valve Hold Down Ring
4	5HSE44	44" Flex Hose Assembly (Includes Washer)
5	014068-45	Overhead Spring
6	000821-40	Spring Body
7	013716-40	6" Wall Bracket
8	004R	Finger Hook
9	000369-40	3/8" NPT x 18" Long Riser
10	5SP-14	equip 14" Swing Nozzle
11	5AFL14	Add-On Faucet w/ 14" Swing Nozzle
12	5-HDL-L	equip Lever Handle w/ Color Coded Screws
13	00AA	1/2" NPT Female Inlet Flange
14	001019-45	Coupling Nut Washer
15	013840-45	20mm Check Valve (2)
16	013788-45	equip Ceramic Cartridge, LTC
17	013787-45	equip Ceramic Cartridge, RTC
18	013849-45	Screw, 4mm Metric (10)

Model Number 5PR-8W14	Date 08/08/12	Scale NTS	Drawn DHL	Checked DMH	Approved JHB
--------------------------	------------------	--------------	--------------	----------------	-----------------



Product Specifications:  
**Pre-Rinse Unit: 8" Wall Mount Mixing Faucet w/ Ceramic Cartridges, Add-On Faucet w/ 14" Swing Nozzle, 5SV Spray Valve, 6" Wall Bracket, In-Line Check Valves & 1/2" NPT Female Inlets**

equip Foodservice Accessories  
 2 Saddleback Cove, P.O. Box 1088  
 Travelers Rest, South Carolina 29690  
 Phone: 800.891.4808 Fax: 800.868.0084