



## 2000 SERIES | GENERAL PURPOSE VALVE



Spade terminal option shown



Wire leads option shown



DIN option shown



### GENERAL INFORMATION

#### Valve Highlights

- 1/4" and 3/8" NPT ports
- Normally open and normally closed flow patterns
- Direct acting
- Multiple connection types available
- Polyphenylene sulfide coil encapsulant

#### Component Material

- Copper shading ring in AC units
- Zinc plated nut
- Stainless steel top port
- Stainless steel internal components

#### Electrical Connection Options

- 1/4" spades
- 18 AWG, 18" wire leads
- DIN 43650 Form-A

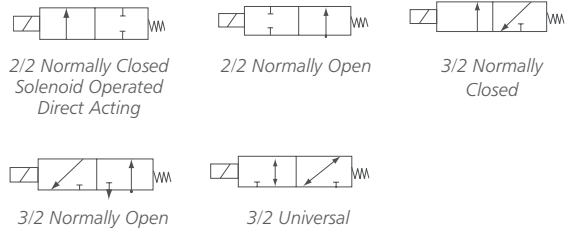
#### Electrical Characteristics

- Standard coil class: F (311°F/155°C)
- Power consumption: 12 watts AC, 14 watts DC
- DC voltages: 12, or 24
- AC voltages: 24, 120, or 240

#### Operating Characteristics

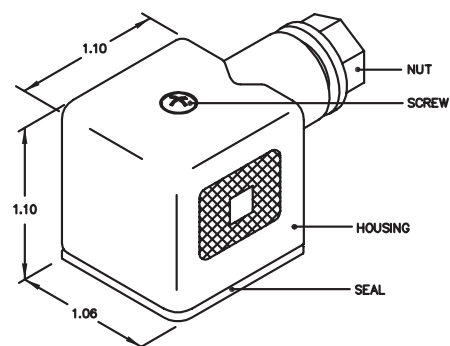
- Operating temperature varies depending on seal material. Consult factory for details.

#### MODES OF OPERATION

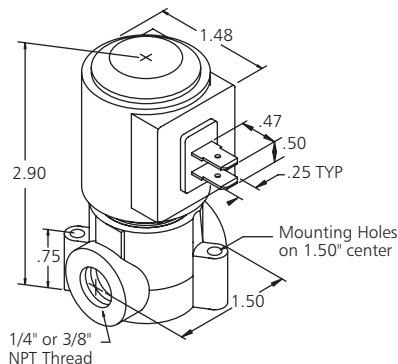


See page 74 for details on modes of operations.

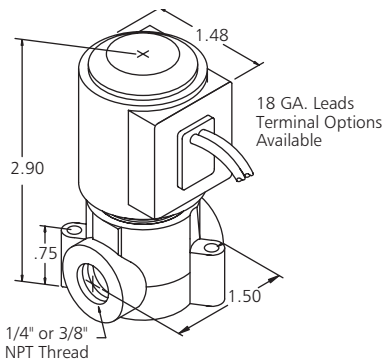
#### OPTIONAL DIN PLUG [INCHES]



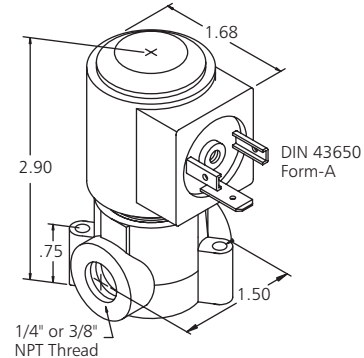
## DIMENSIONAL DRAWINGS [INCHES]



Spade terminal option shown

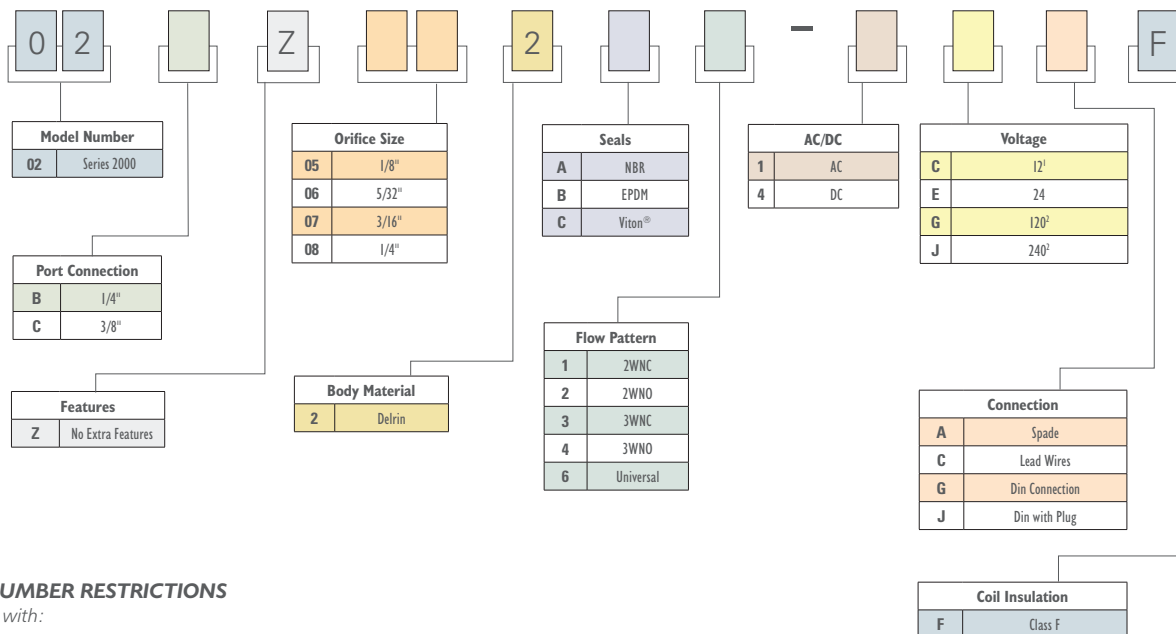


Wire leads option shown



DIN terminal option shown

## PART NUMBER SELECTION GUIDE FOR SERIES 2000



### PART NUMBER RESTRICTIONS

Available with:

<sup>1</sup>DC only, <sup>2</sup>DC only

## STANDARD FLOW DATA

### FLOW-H<sub>2</sub>O (GPM)

NOMINAL ORIFICE DIAMETER	MAXIMUM GPM WATER FLOW						
	10PSI	25PSI	50PSI	100PSI	150PSI	200PSI	250PSI
1/8 (.125)	0.58	0.95	1.40	2.04	2.44	2.80	3.08
5/32 (.156)	0.73	1.18	1.75	2.48	3.05		
3/16 (.188)	0.96	1.56	2.32	3.34			
1/4 (.250)	1.80	2.95	4.34				

### FLOW-AIR (SCFM)

NOMINAL ORIFICE DIAMETER	MAXIMUM SCFM AIR FLOW						
	10PSI	25PSI	50PSI	100PSI	150PSI	200PSI	250PSI
1/8 (.125)	0.20	2.0	8.0	14.0	19.0	28.0	32.0
5/32 (.156)	.33	3.3	13.2	23.1	31.2		
3/16 (.188)	0.45	4.5	18.0	31.5			
1/4 (.250)	0.62	6.2	24.8				