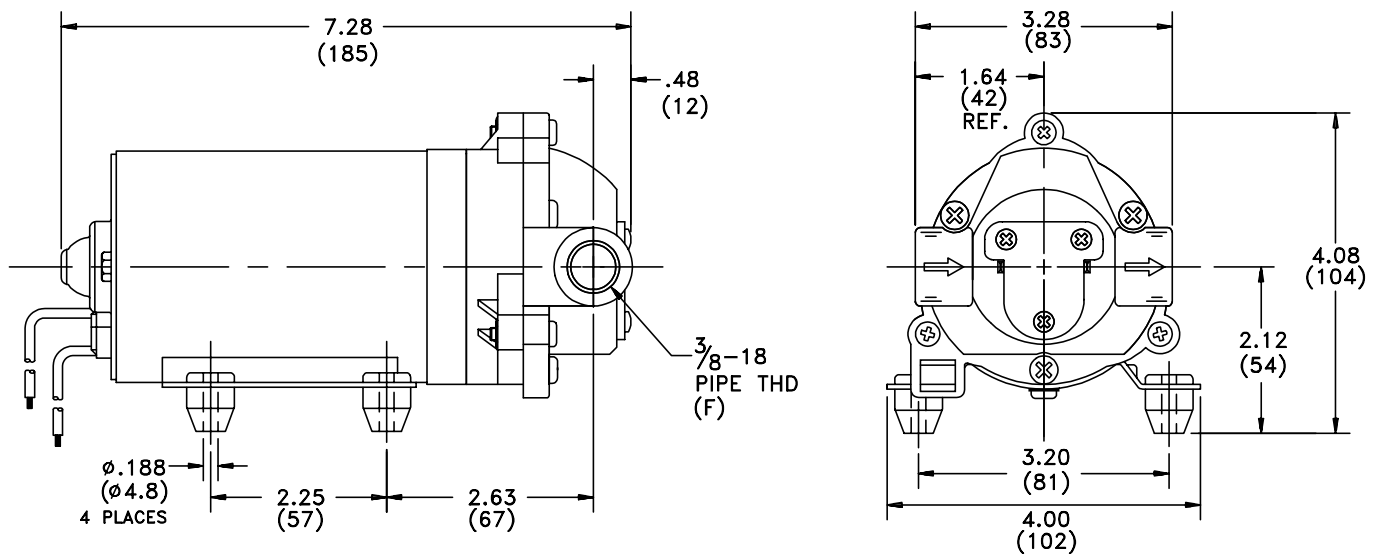


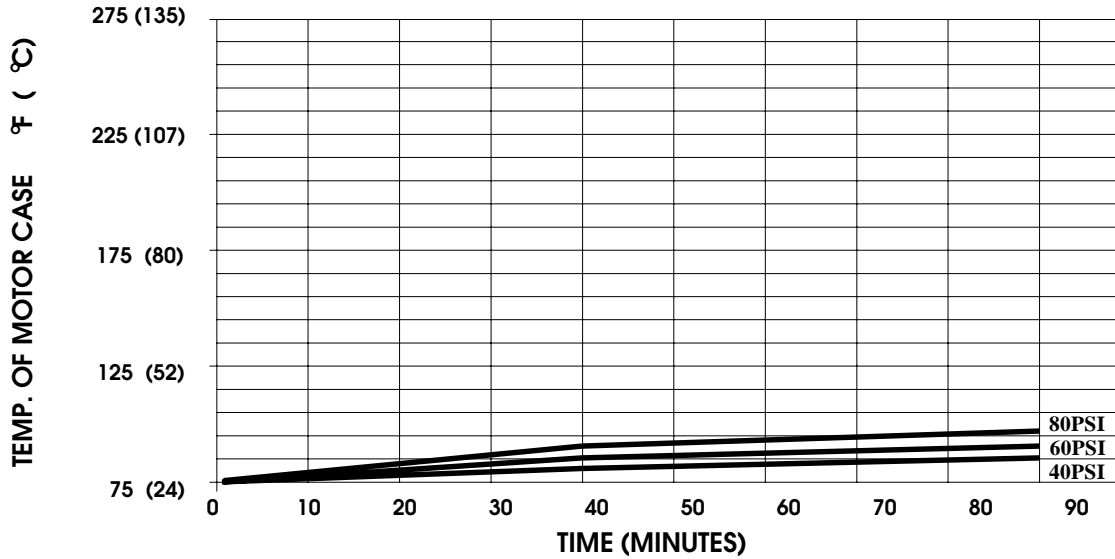
SPECIFICATIONS:

MODEL NUMBER: 8010-101-200
PUMP DESIGN: Positive Displacement 3 Chamber Diaphragm Pump
CAM: 2.0 Degree
MOTOR: Permanent Magnet, P/N 11-155-00
VOLTAGE: 24 VAC Nominal
PRESSURE SWITCH: None
LIQUID TEMPERATURE: 180 Degrees Fahrenheit (82 Degrees Centigrade) Max.
PRIME: Self-Priming Up To 4.0 Ft. Vertical,
 Max. Inlet Pressure 30 PSI (2.1 Bar)
PORTS: 3/8"-18 NPT Female
MATERIAL OF CONSTRUCTION:
PLASTICS- Polypro
VALVES- EPDM
DIAPHRAGM- Santoprene
FASTENERS- Zinc or Cad Plated Steel
NET WEIGHT: 4.7 Lbs (2.13 Kg)
DUTY CYCLE: Continuous (See Temperature Rise Chart)
APPROVALS: N.S.F. Listed
TYPICAL APPLICATIONS: R.O. Booster Pump
BYPASS: 90 PSI Max.

DIMENSIONS:

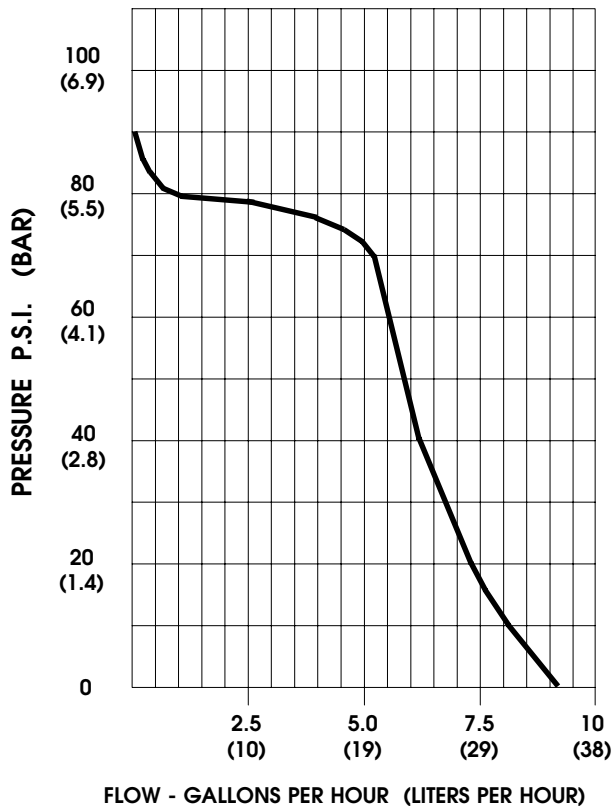


TEMPERATURE RISE



THIS GRAPH IS FOR USE AS A DESIGN GUIDE. IT IS BASED ON RUNNING CONTINUOUSLY WITH AN AMBIENT TEMPERATURE OF 70° F IN STILL AIR.

TYPICAL PERFORMANCE



| PRESSURE (PSI) | FLOW (GPH/LIT) | RPM MIN/MAX | CURRENT (AMPS) | VOLTAGE (VOLTS) |
|----------------|----------------|-------------|----------------|-----------------|
| OPEN | 9.20/38 | 470/475 | 0.17 | 24 VAC |
| 10 | 8.30/31 | 450/455 | 0.19 | " |
| 20 | 7.52/28 | 430/435 | 0.21 | " |
| 30 | 6.87/26 | 415/420 | 0.25 | " |
| 40 | 6.33/24 | 395/400 | 0.27 | " |
| 50 | 5.91/22 | 380/385 | 0.31 | " |
| 60 | 5.48/21 | 370/380 | 0.34 | " |
| 70 | 5.17/20 | 350/375 | 0.37 | " |
| 80 | 0.60/2.3 | 345/375 | 0.41 | " |

-SPECIFICATIONS SUBJECT TO CHANGE WITHOUT NOTICE.

-ALL DATA BASED ON TESTING WITH WATER.