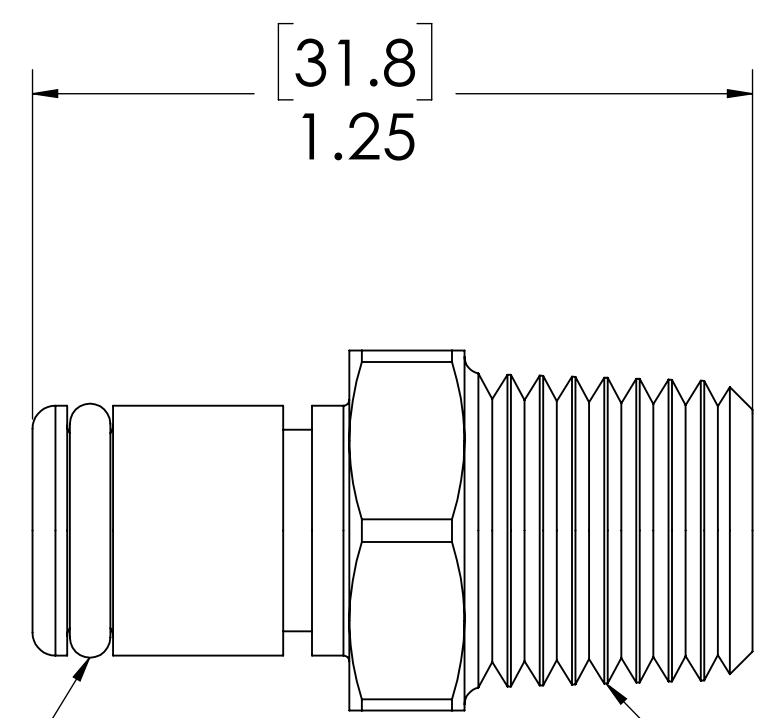
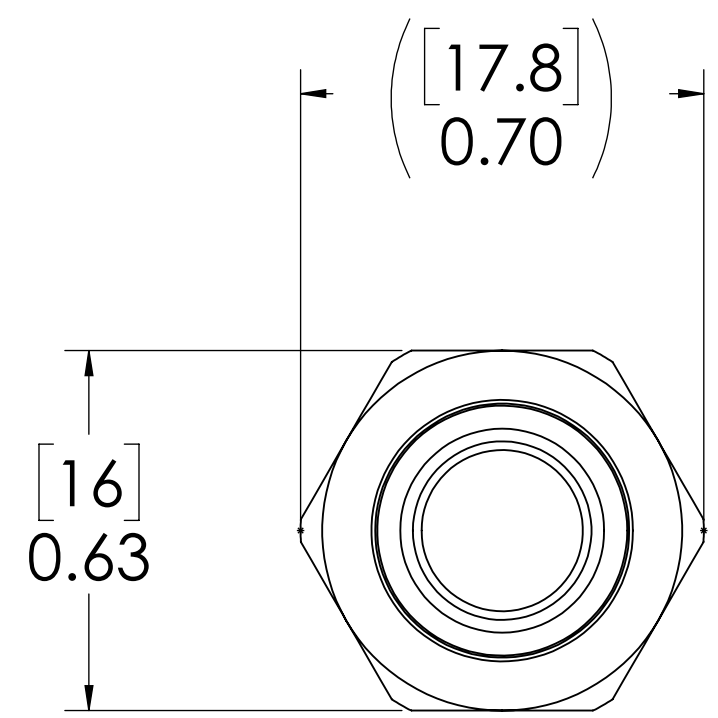
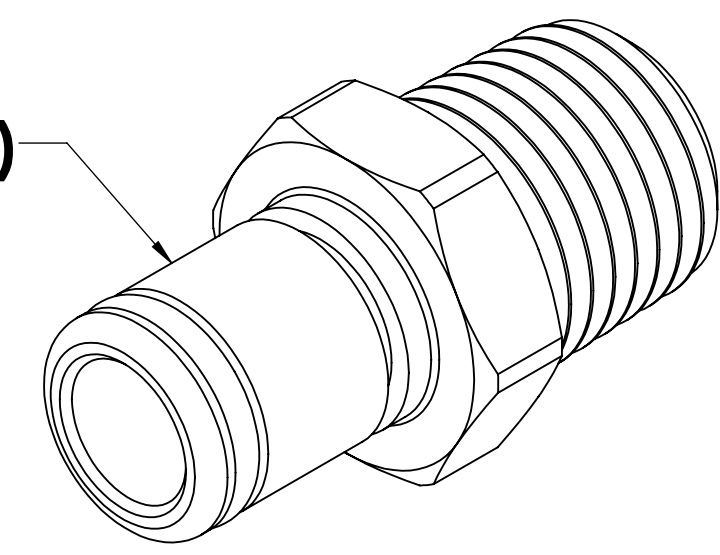


REVISIONS						
SHEET	ZONE	REV.	ECO	DESCRIPTION	DATE	APPROVED
1	ALL	A	50253	FORMAT UPDATE	7/26/2017	HRC

**PLUG,
(BRASS,
NICKEL AND
CHROME PLATED)**



**O-RING
EXTERNAL
(BUNA-N)**

**1/4" NPT
(PIPE THREAD)**

- NOTES:**
1. MATERIAL:BRASS
 2. FINISH: CHROME
 3. O-RING MATERIAL: BUNA-N
 4. O-RINGS LUBRICATED WITH FOOD GRADE SILICONE OIL, 350 CST.

FOR REFERENCE ONLY

<small>UNLESS OTHERWISE SPECIFIED: DIMENSIONS ARE IN INCHES TOLERANCES: FRACTIONAL ± 1/32 ANGULAR: MACH ± 0.5 BEND ± 2 ONE PLACE DECIMAL ± 0.1 TWO PLACE DECIMAL ± 0.01 THREE PLACE DECIMAL ± 0.005 TWO PLACE DUAL (mm) [± 0.12]</small>	DRAWN	RDA	7/26/2017	
	CHECKED	HRC	7/26/2017	
	ENG APPR.	XXX	XX/XX/XX	
	MFG APPR.	XXX	XX/XX/XX	
PROPRIETARY AND CONFIDENTIAL	Q.A.	XXX	XX/XX/XX	PART NO: 40CB-PB1-04 DESCRIPTION: LinkTech 40CB Series Male Thread Male, Non-valved, 250MNPT, Chrome Brass
<small>THE INFORMATION CONTAINED IN THIS DRAWING IS THE SOLE PROPERTY OF LINKTECH LLC. ANY REPRODUCTION OR DISCLOSURE IN PART OR AS A WHOLE WITHOUT THE WRITTEN PERMISSION OF LINKTECH LLC IS STRICTLY PROHIBITED.</small>			<small>COMMENTS:</small>	
<small>SIZE</small> C	<small>DWG. NO.</small> 40CB400226	<small>REV</small> A		
<small>SCALE: NTS</small>		<small>WEIGHT:</small>	<small>SHEET 1 OF 1</small>	