



T&S BRASS AND BRONZE WORKS, INC.

2 Saddleback Cove / P.O. Box 1088
Travelers Rest, SC 29690



REG. #A2601
ISO #9001

Model No.
B-0892

Item No.

Travelers Rest, SC: 800-476-4103 Simi Valley, CA: 800-423-0150 Fax: 864-834-3518 www.tsbrass.com

This Space for Architect/Engineer Approval

Job Name _____ Date _____

Model Specified _____ Quantity _____

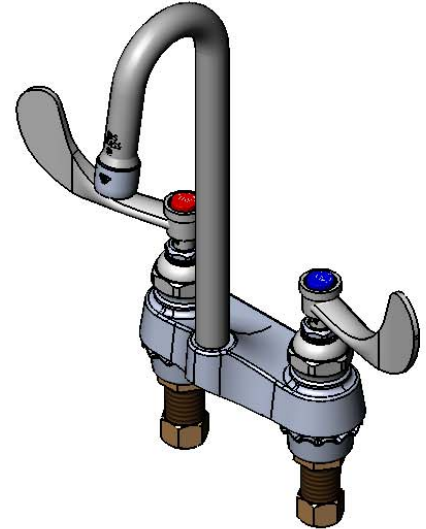
Customer/Wholesaler _____

Contractor _____

Architect/Engineer _____

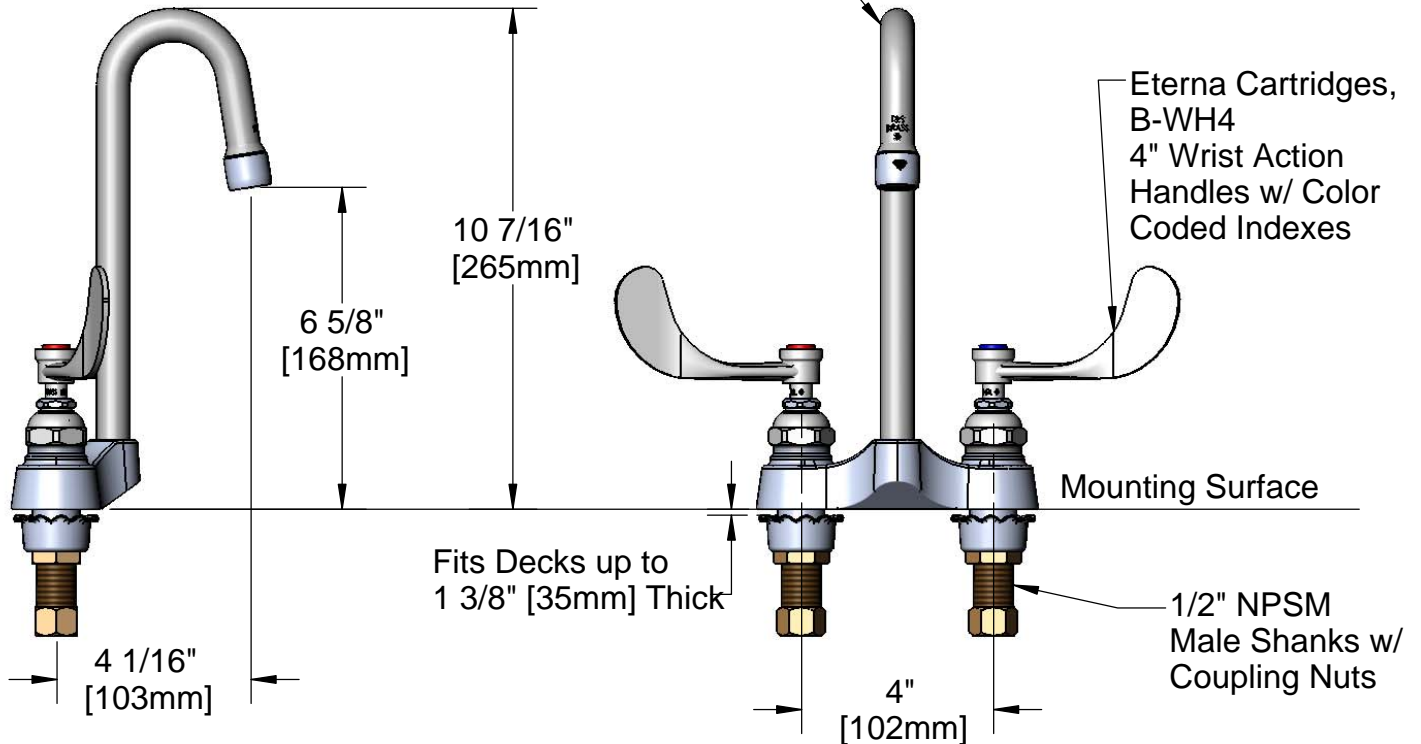


ADA Compliant



Rigid Gooseneck w/
B-0199-01 Aerator
2.2 GPM

Eterna Cartridges,
B-WH4
4" Wrist Action
Handles w/ Color
Coded Indexes



Note: Rough-In Requirements:
(2) ϕ 1 1/8" [29mm] Mounting Holes

Product Specifications:
4" Centerset Mixing Faucet w/ 1/2" NPSM Male Shanks,
Eterna Cartridges, 4" Wrist Action Handles,
Rigid Gooseneck w/ 2.2 GPM Aerator

Drawn KJG	Checked DHL	Approved JHB
Scale: 1:4		Date: 07/29/11



T&S BRASS AND BRONZE WORKS, INC.

2 Saddleback Cove / P.O. Box 1088
Travelers Rest, SC 29690



REG. #A2601
ISO #9001

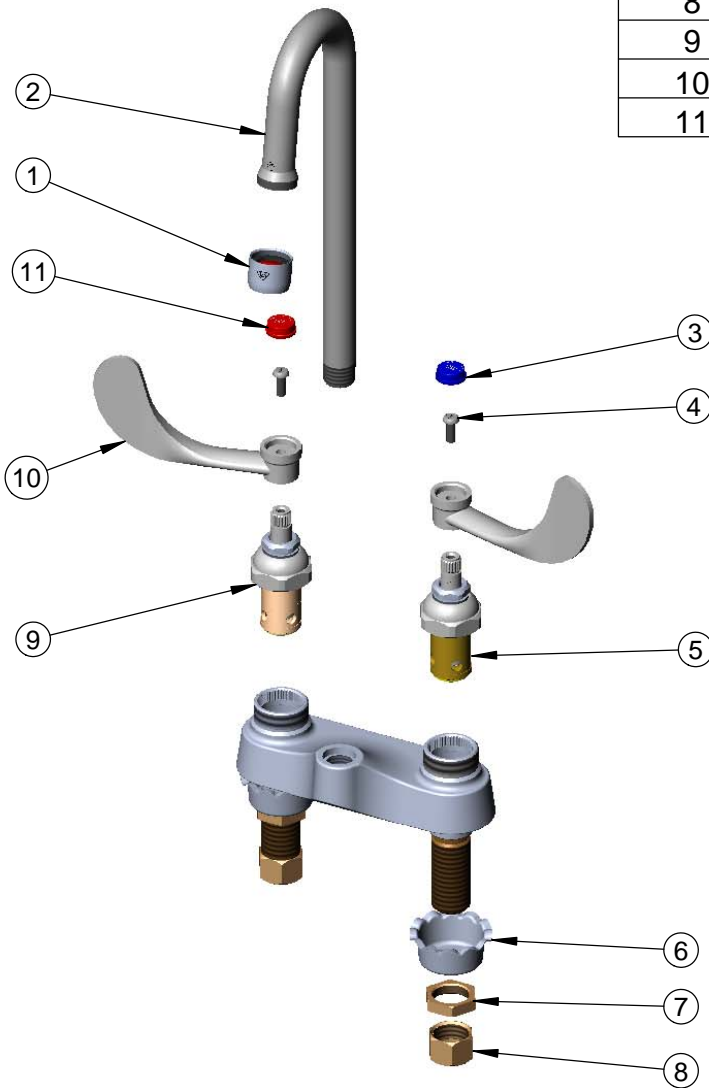
Model No.

B-0892

Item No.

Travelers Rest, SC: 800-476-4103 Simi Valley, CA: 800-423-0150 Fax: 864-834-3518 www.tsbrass.com

ITEM NO.	SALES NO.	DESCRIPTION
1	B-0199-01	2.2 GPM Aerator
2	005028-40	Gooseneck
3	001686-45	Blue CW Index
4	000925-45	Lab Handle Screw
5	006009-40	Eterna Cartridge, LTC
6	001000-45	Rosette Washer
7	002954-45	Shank Lock Nut
8	000958-20	Coupling Nut
9	006010-40	Eterna Cartridge, RTC
10	B-WH4	4" Wrist Action Handle
11	001194-45	Red HW Index



Product Specifications:

4" Centerset Mixing Faucet w/ 1/2" NPSM Male Shanks,
Eterna Cartridges, 4" Wrist Action Handles,
Rigid Gooseneck w/ 2.2 GPM Aerator

Drawn KJG	Checked DHL	Approved JHB
Scale: 1:4		DATE 07/29/11