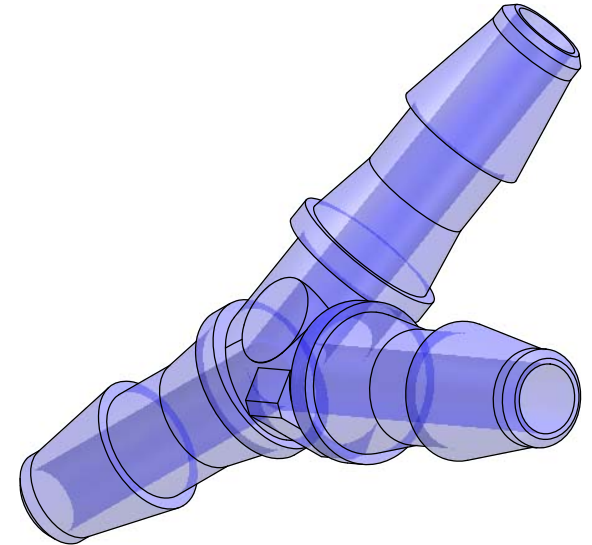
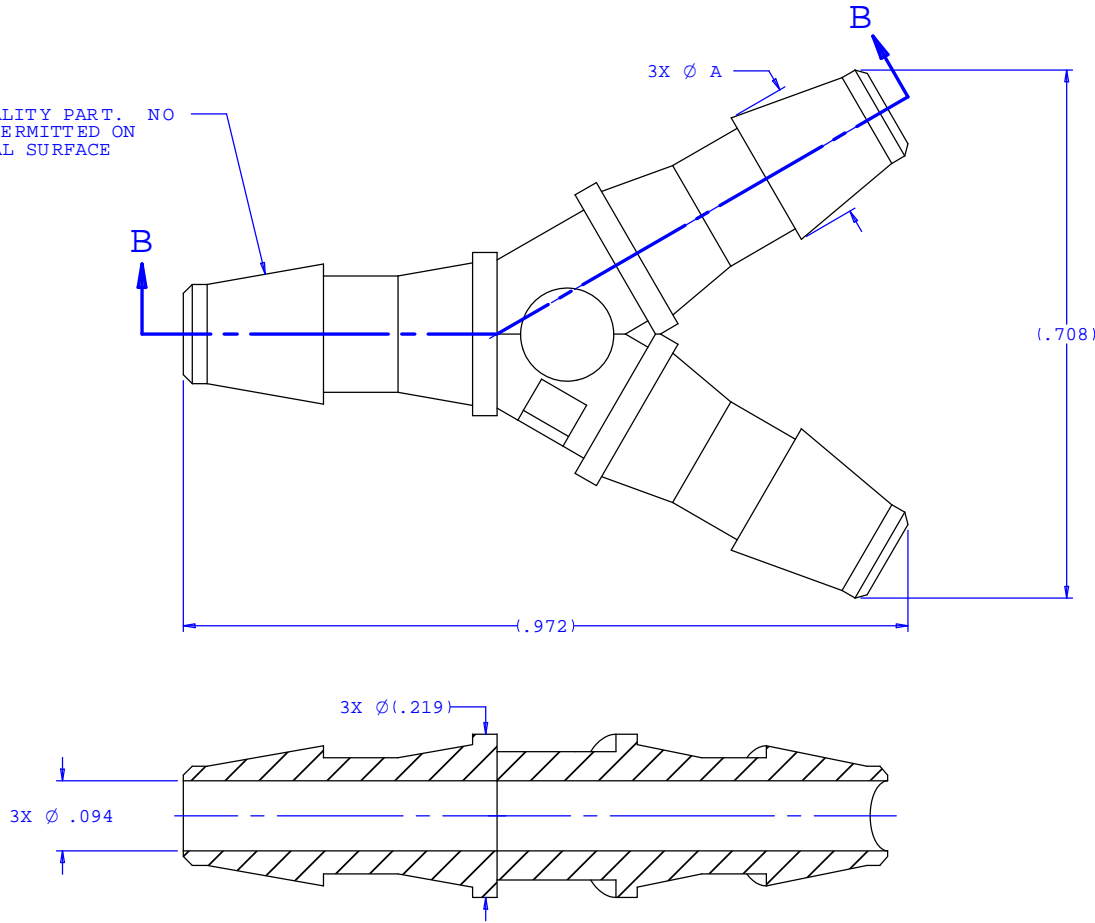


NOTE: FOR MORE DETAILS SEE YOUR V.P. CUSTOMER SERVICE REP.

REVISIONS			
REV.	DESCRIPTION	DATE	APPROVED
A	INITIAL RELEASE	12-27-02	
B	CO 013 Drafting Update	05-02-05	Rick C.
C	ECO 065-Changed Nylon and PP Nominal to 0.184"	10-30-07	Rick C.

3X INSTRUMENT QUALITY PART. NO PARTING LINE PERMITTED ON THIS CONICAL SURFACE



SECTION B-B

Dimension	Material Specific Tolerances							
	Acetal	Nylon	PP	ABS	PC	PVC	Polysulfone	J1A
A	0.188	0.184	0.184	0.188	0.188	0.188	0.188	0.181
B								
C								
D								
E								
F								

UNLESS OTHERWISE SPECIFIED DIMENSIONS ARE IN INCHES TOLERANCES ARE:		VALUE PLASTICS, INC.	
FRACTIONS ±	DECIMALS ±	ANGULAR ±1°	PART NUMBER: Y230
.XX ±.01	.XXX ±.005	.XXXX ±.001	DESCRIPTION: Y Connector with 200 Series Barbs, 1/8" (3 mm) ID Tubing
DO NOT SCALE DRAWING			SIZE: B SCALE: NTS DRAWING NUMBER: 1005493 REV. C
DRAWN BY: Frank Lombardi 4-18-05 DATE:		© 2004 VALUE PLASTICS, INC. SHEET: 1 OF 1	
Engineer/Manager: Rick Cairns DATE:			

FOR REFERENCE ONLY