

# Superseal Connector

Connects blown fibre/minicable micro ducting

## Overview

The John Guest Blown Fibre Superseal Connector provides a simple and effective gas seal between the pipe and the fibre bundle or mini cable, eliminating the need for sealing resin. The connector through bore an uninterrupted passage for the blown fibre/mini cable.

Colours available - Suffix indicates colours GB=Green, BB + Blue, RB = Red

## Features and benefits

- Coloured surface gives extra UV protection
- Hard wearing construction for installation into the toughest of conditions
- Push-fit technology ensures swift tool-free installation
- Eliminates the need for sealing resin
- Collet with stainless steel teeth securely locks microduct in place
- O-Ring Seals enhance connection integrity

Product code	Description	Size
GB-55-01	Superseal Connector	5mm x 5mm
GB-85-01	Superseal Connector	8mm x 5mm
GB-88-01	Superseal Connector	8mm x 8mm



**Blown fibre**

# Superseal Connector

**Working pressures & temperatures**

Blowing pressure (max)	16 bar
Temperature range	-25°C to 60 °C

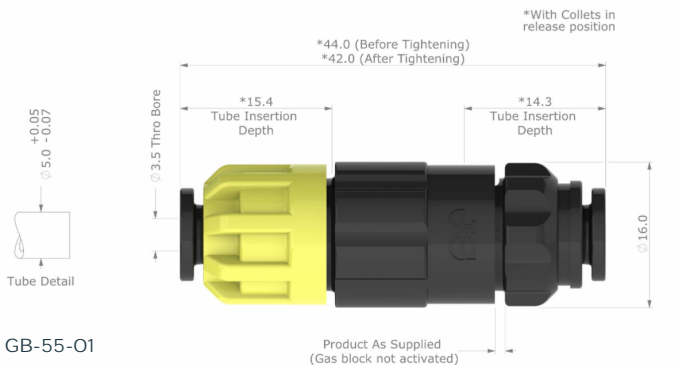
**Applications**

Direct buried fibre optic microducts	✓
--------------------------------------	---

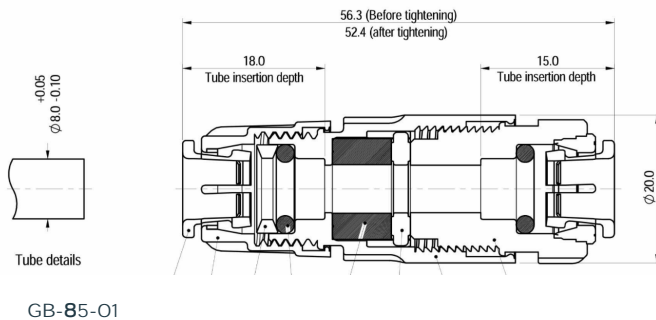
**Materials**

Body	Acetal Copolymer (Unfilled), Black
Collets	Acetal Copolymer (Unfilled) Black & Stainless Steel
O-Ring	Nitrile, Black
Screw Cap	Polypropylene (Mineral Filled), Yellow

**Dimensions**

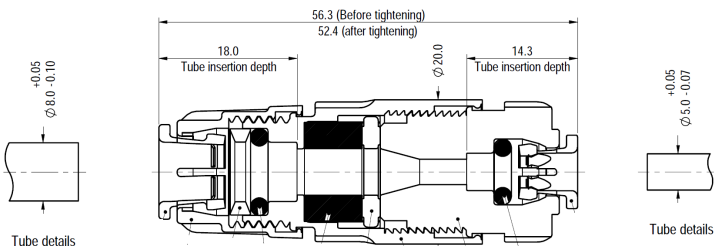


GB-55-01



GB-85-01

Dimensions in mm



GB-85-01