

L-US Type - 10 to 30 gpm

Flow Regulator - Pressure Compensating



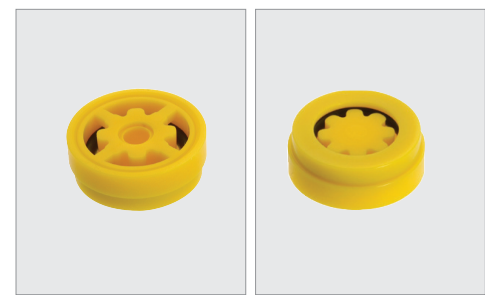
flow, stop and go®

Features and Benefits

- ▶ Operates as a flexible orifice to provide reliable flow regulation from 15 to 150 psi.
- ▶ Noiseless and trouble free operation over many years.

Options Available

Part #	Color	gpm	L/min
58.7458.1	Beige	10.00	37.9
58.7459.1	Green	12.00	45.4
58.7460.1	Red	13.00	49.2
58.7462.1	Yellow	15.00	56.8
58.7463.1	Brown	20.00	75.7
58.7465.1	Black	25.00	94.6
58.7468.1	White	30.00	113.6



Certification

ANSI / NSF 61

Materials

Name	Material
Body	Acetal
Core	Acetal
O-ring	EPDM

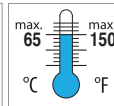
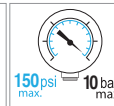
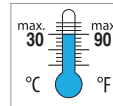
Technical Data

Medium: Clear water only

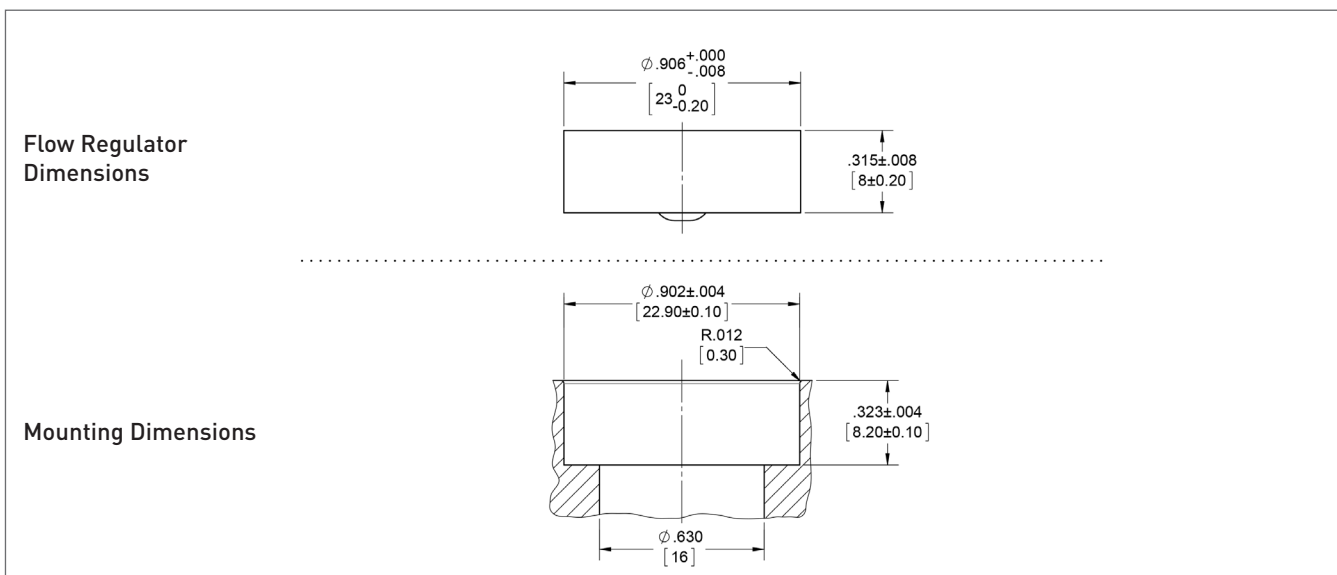
Wetted surface area: 2920.29 mm²

Continuous

Short-term (5 minutes max.)



Dimensions



NEOPERL® Inc., Waterbury, CT • Tel: 203-756-8891 • Fax: 203-755-5717 • www.neoperl.com