



OASIS CORPORATION

265 N. Hamilton Road ♦ P.O. Box 13150
Columbus, Ohio 43213-0150 U.S.A.
1.800.64.OASIS (1.800.646.2747)
www.OasisWaterCoolers.com

OASIS® WATER COOLER MODELS PLF8FA, PLF8FAH, PLF14FA, and PLF14FAH INSTRUCTIONS

1. **INSPECTION** -- Inspect the carton and water cooler for evidence of rough handling and concealed damage. Damage claims should be filed with the carrier.
2. **MAINTENANCE** -- The only maintenance operation required is the removal of dirt and lint from the condenser. Inspection should be made at 3-month intervals. Disconnect the power supply cord, then clean the condenser with a small stiff non-wire brush when required. Observance of this procedure will insure adequate air circulation through the condenser so operation is efficient and economical.
3. **OVERLOAD PROTECTION** -- The compressor motor is equipped with an automatic reset protector which will disconnect the motor from the line in case of an overload.
4. **LUBRICATION** -- This unit is equipped with a hermetically sealed compressor and requires no additional lubrication. The fan motor on this unit seldom needs oiling, but if required, a few drops of SAE 10 oil should be used.
5. **TO PUT WATER COOLER INTO SERVICE**
 - a. The back of the water cooler may be installed as close to the wall as the plumbing will allow. Maintain a minimum clearance of 4" from any louvered panel to assure adequate airflow.
 - b. Install a trap in the waste line and a shut-off valve in the water supply line. Internal waste line and trap should be wrapped with insulating tape to prevent sweating. Use clean 3/8" OD copper tubing water supply line.
 - c. To fill the cold water tank, open the shut-off and bubbler valves.
 - d. On hot and cold tank, fill the water-heating tank by drawing water from the hot water dispenser until the stream is free of bubbles.
 - e. Check the available power supply against the water cooler data plate to assure correct electrical service. Plug service power cord into receptacle. NOTE: For water coolers with IEC power inlet, connect female portion of service cord into power inlet and secure cord to plastic strain relief.
 - f. If a hot and cold model, make certain the hot water tank contains water, then turn the hot water tank heater switch to the "ON" position. **DANGER: WATER DISPENSED FROM HOT FAUCET CAN SCALD.**
6. **WATER VALVE ADJUSTMENT ON WATER COOLED MODELS** -- The valve is factory set and will not ordinarily require readjustment. If adjustment is required, turn the adjusting stem of the valve counterclockwise to increase flow, clockwise to decrease flow. Do not adjust more than 1/8 turn at a time and never adjust more than 1/2 turn total in either direction.
7. **TO DISCONTINUE USE OF WATER COOLER**
 - a. Disconnect the power supply cord.
 - b. Close the water shut-off valve.

- c. On hot and cold model, set the hot water heater switch to the "OFF" position.
- d. Provide container to catch water and remove drain plug(s) from tank(s).
- e. Remove or open bubbler valve and, if any, the glassfiller or hot valve.
- f. **ALWAYS DRAIN ALL WATER WHEN FREEZING TEMPERATURES ARE ANTICIPATED AND BEFORE SHIPPING THE WATER COOLER.**

WARNING

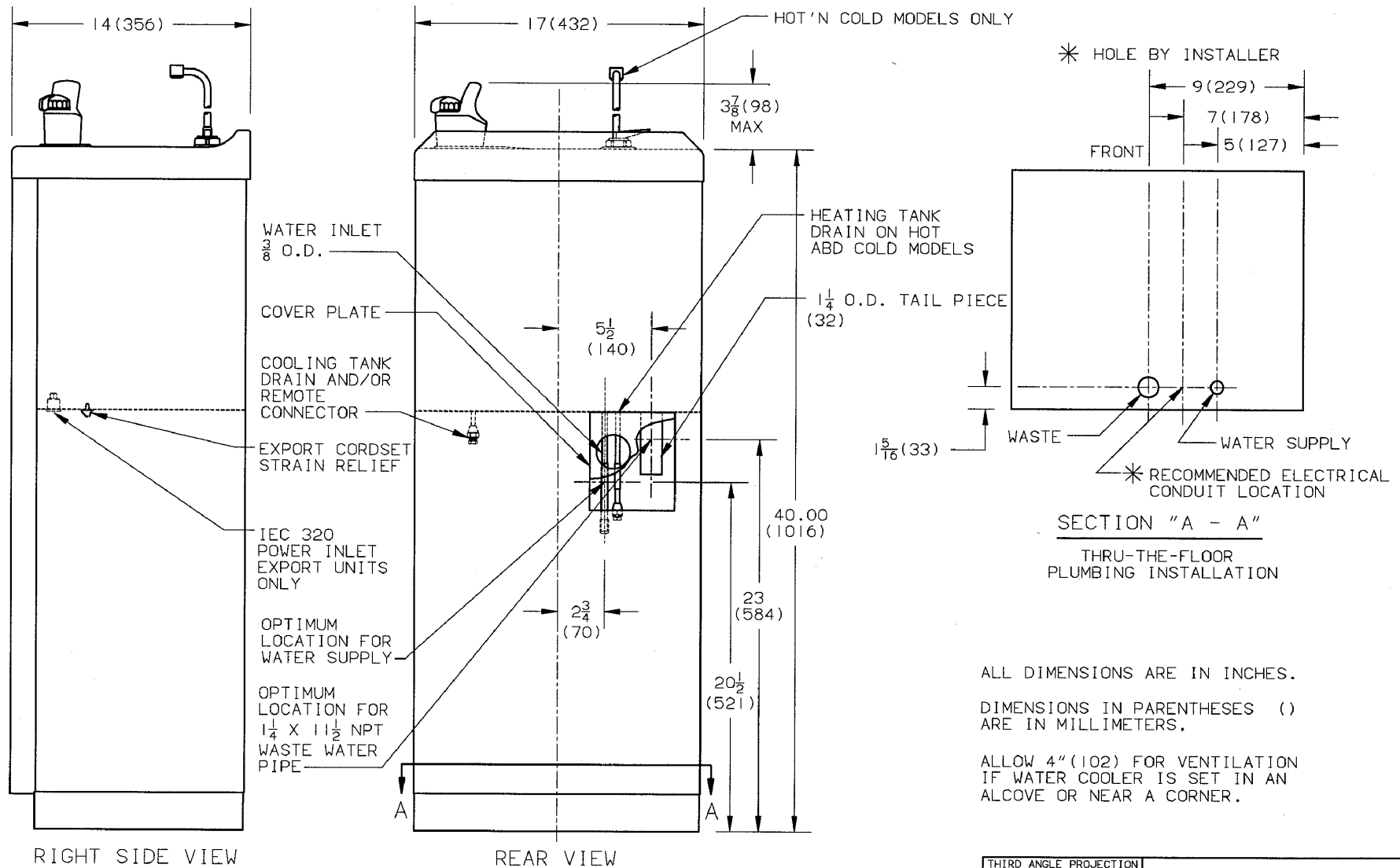
The warranty and the Underwriters' Laboratory listing for this machine are automatically voided if this machine is altered, modified, or combined, or combined with any other machine or device. Alteration or modification of this machine may cause serious flooding and/or hazardous electrical shock or fire.

EXCEPT AS SET FORTH HEREIN, THE MANUFACTURER MAKES NO OTHER WARRANTY, GUARANTEE OR AGREEMENT EXPRESSED, IMPLIED, OR STATUTORY, INCLUDING ANY IMPLIED WARRANTY OR MERCHANTABILITY OR FITNESS FOR A PARTICULAR PURPOSE.

OASIS® is a registered trademark of OASIS Corporation
"Three Palms Design" is a registered trademark of OASIS Corporation

©Copyright 2000 OASIS Corporation

OASIS® WATER COOLER MODELS PLF8FA, PLF8FAH, PLF14FA, and PLF14FAH



THIRD ANGLE PROJECTION	ROUGHING-IN AND DIMENSIONAL DRAWING
------------------------	-------------------------------------