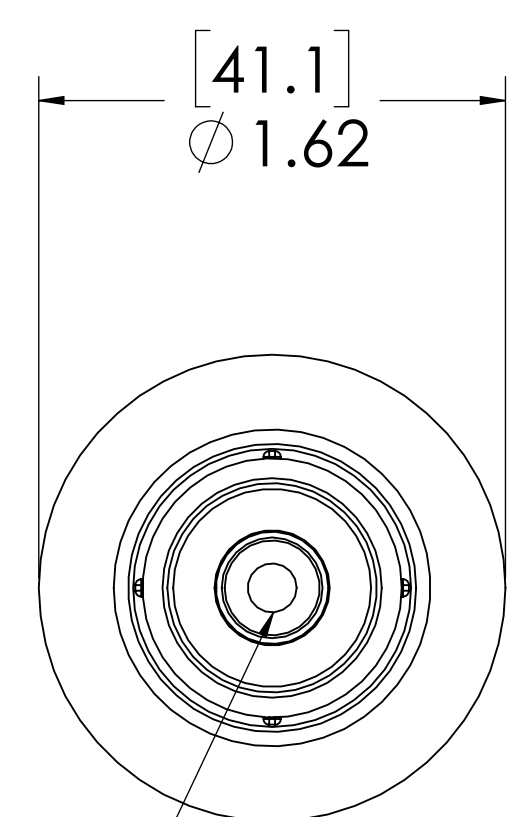
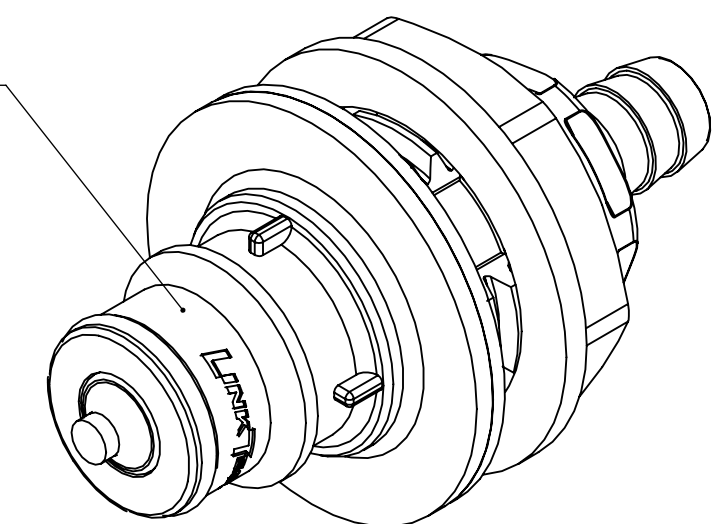
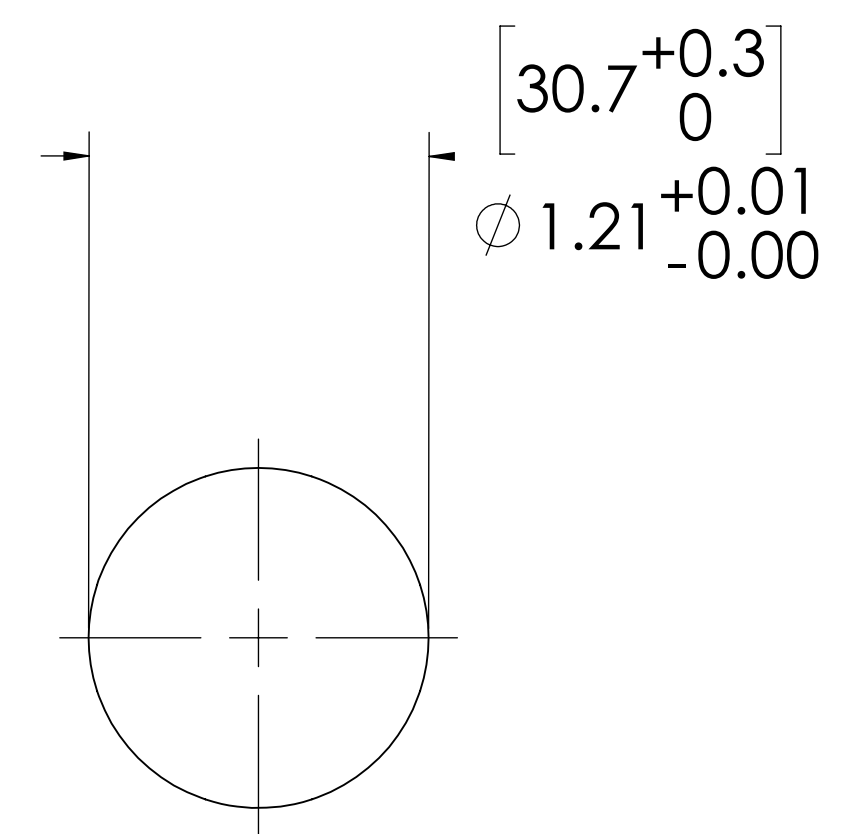
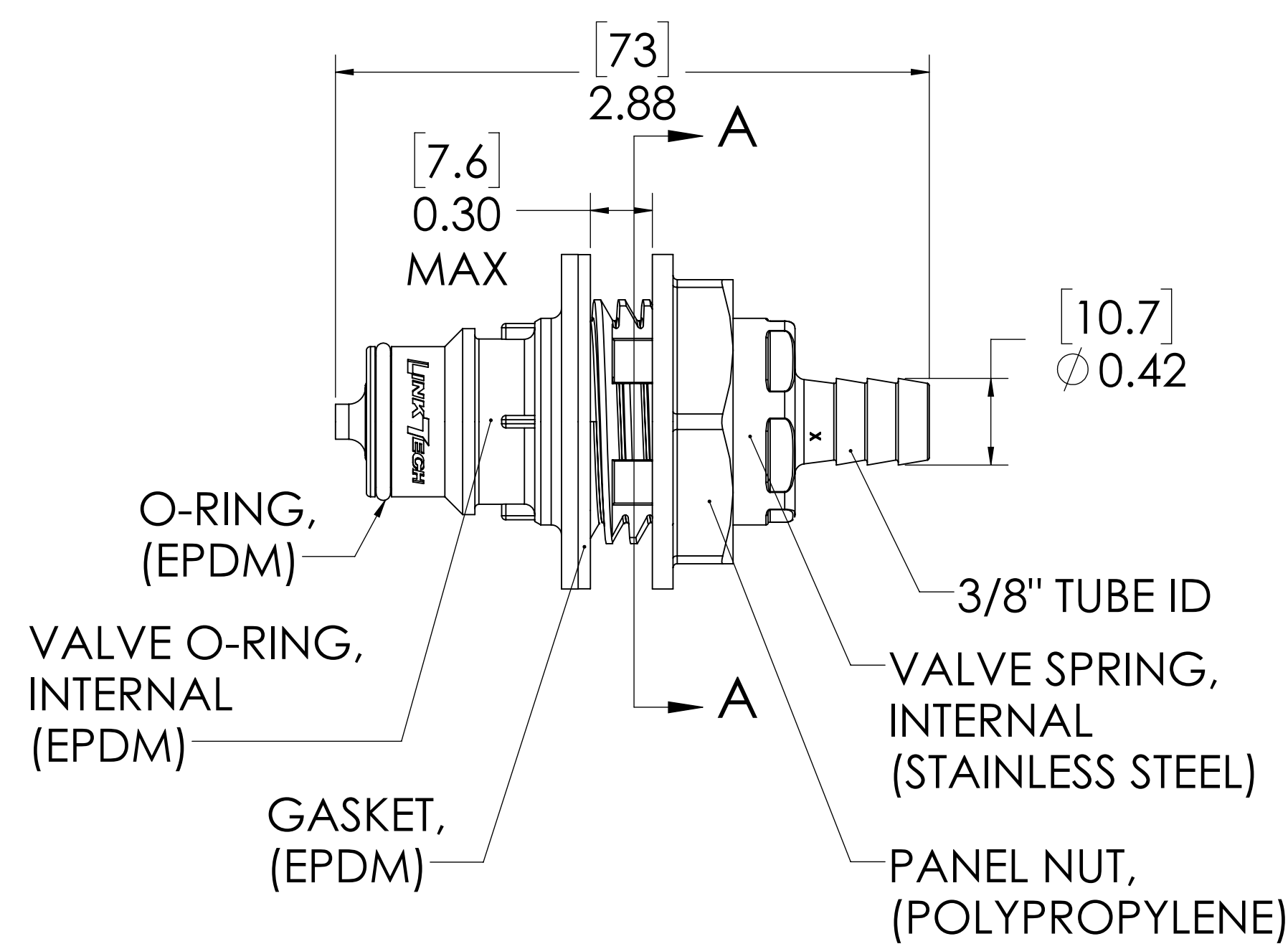


REVISIONS						
SHEET	ZONE	REV.	ECO	DESCRIPTION	DATE	APPROVED
1	A-8	A	ADDED O-RING LUBRICATION NOTE	6/20/2014	HRC
1	E-3	A	ADDED GASKET TO ASSEMBLY	6/20/2014	HRC
1	ALL	A	50093	INITIAL RELEASE	9/10/2014	HRC
1	ALL	B	50257	O-RING AND DWG FORMAT UPDATE	3/5/2018	HRC

PLUG,
(POLYPROPYLENE)



VALVE,
(POLYPROPYLENE)



PANEL OPENING
(SECTION A-A)

- NOTES:**
- MATERIAL: POLYPROPYLENE
 - COLOR: GREY
 - O-RING MATERIAL: EPDM
 - O-RINGS LUBRICATED WITH FOOD GRADE SILICONE OIL, 350 CST.

FOR REFERENCE ONLY

UNLESS OTHERWISE SPECIFIED: DIMENSIONS ARE IN INCHES TOLERANCES: FRACTIONAL $\pm 1/32$ ANGULAR: MACH ± 0.5 BEND ± 2 ONE PLACE DECIMAL ± 0.1 TWO PLACE DECIMAL ± 0.01 THREE PLACE DECIMAL ± 0.005 TWO PLACE DUAL (mm) $[\pm 0.12]$	DRAWN	HRC	9/20/13	
	CHECKED	HRC	9/20/13	
	ENG APPR.	HRC	3/5/2018	
	MFG APPR.	BDB	3/5/2018	
PROPRIETARY AND CONFIDENTIAL	Q.A.	JJB	3/5/2018	PART NO: 60PPV-PE3-06 DESCRIPTION: LinkTech 60PP Series Panel Mt. Male, Valved 3/8" HB, Polypropylene
THE INFORMATION CONTAINED IN THIS DRAWING IS THE SOLE PROPERTY OF LINKTECH LLC. ANY REPRODUCTION OR DISCLOSURE IN PART OR AS A WHOLE WITHOUT THE WRITTEN PERMISSION OF LINKTECH LLC IS STRICTLY PROHIBITED.				
SIZE DWG. NO. REV C 60PP600067 B	SCALE: NTS WEIGHT:	SHEET 1 OF 1		