

DESCRIPTION

Everpure Insurice PF Series Water Filter Systems (Figures 1-3) are identical to standard Insurice systems except that the PF Series systems include a 20" sediment prefilter housing pre-installed and assembled onto the inlet header/manifold assembly. Insurice PF systems are designed for use in installations with dirtier, cloudier source water and incorporate the same Everpure Insurice 1/2 micron Quick-Change precoat filter cartridges (i2000, i2000², i4000 & i4000²) which remove potentially harmful particulates and chlorine taste and odor from the water while introducing an advanced scale inhibitor. – As tested by Everpure

The replaceable prefilter cartridge element removes larger dirt and rust particles and extends the life of the sub-micron carbon filters. Thus, ice quality and ice machine performance are improved while machine downtime, maintenance and energy costs are substantially reduced.

SELECTING A MOUNTING LOCATION

1. Give consideration to the weight of the unit when operating (filled with water). Operating weights of the Insurice PF Systems are:
 - Single System - 19 lbs. (8.62 kg.)
 - Twin System - 35 lbs. (15.9 kg)
 - Triple System - 45 lbs. (20.4 kg)
2. The location should allow for:
 - Minimum clearance of 2½" under the cartridge(s) so it can be lowered for removal and replacement.
 - Adequate space for "in" and "out" water line connections.
 - Be near a drain for flushing.

OPERATING SPECIFICATIONS*

Combined Model Name	Replacement Cartridge	Flow Rate	Capacity
Insurice PF Single – i2000	i2000	1.67 gpm (6.3 Lpm)	9,000 gal (34,050 L)
Insurice PF Single – i2000 ²	i2000 ²	1.67 gpm (6.3 Lpm)	9,000 gal (34,050 L)
Insurice PF Twin – i2000	i2000	3.3 gpm (12.6 Lpm)	18,000 gal (68,100 L)
Insurice PF Twin – i2000 ²	i2000 ²	3.3 gpm (12.6 Lpm)	18,000 gal (68,100 L)
Insurice PF Triple – i2000	i2000	5.0 gpm (18.9 Lpm)	27,000 gal (102,150 L)
Insurice PF Triple – i2000 ²	i2000 ²	5.0 gpm (18.9 Lpm)	27,000 gal (102,150 L)
Insurice PF Single – i4000	i4000	1.67 gpm (6.3 Lpm)	12,000 gal (45,400 L)
Insurice PF Single – i4000 ²	i4000 ²	1.67 gpm (6.3 Lpm)	12,000 gal (45,400 L)
Insurice PF Twin – i4000	i4000	3.3 gpm (12.6 Lpm)	24,000 gal (90,800 L)
Insurice PF Twin – i4000 ²	i4000 ²	3.3 gpm (12.6 Lpm)	24,000 gal (90,800 L)
Insurice PF Triple – i4000	i4000	5.0 gpm (18.9 Lpm)	36,000 gal (136,200 L)
Insurice PF Triple – i4000 ²	i4000 ²	5.0 gpm (18.9 Lpm)	36,000 gal (136,200 L)

* For individual cartridge specifications, refer to cartridge literature.

Temperature: 35-100°F (2-38°C)

Pressure: 10 - 125 psi (0.7 - 8.6 bar), non-shock

For cold water use only.



Figure 1 – Insurice PF Single System



Figure 2 – Insurice PF Twin System



Figure 3 – Insurice PF Triple System

INSTALLATION

1. Use the predrilled mounting holes in the manifold bracket as guides. Mark and drill anchor holes. Mount securely. See Figures 4-6.
2. Shut off power to ice machine.
3. Connect outlet port of Insurice PF system to equipment served. Always use a NSF approved pipe dope or Teflon tape at all connections. Use a backup wrench on all fittings while connecting to avoid excessive stress on the system components.
4. Connect minimum 1/2" (3/4" preferred) water line to inlet side of Insurice PF system prefilter. Do not turn on the supply water yet.
5. Connect tubing to flushing valve and run to drain.

Note: Some municipal plumbing codes and good sanitary practices require an air gap at the drain termination point.

6. Remove the wrapping from the prefilter cartridge and insert it into the clear prefilter bowl, aligning the hole in the bottom of the cartridge over the raised stub in the bottom of the bowl.
7. Check to see that the O-ring is in place at the top of the prefilter bowl and that it is lubricated with food grade silicone lubricant. Install the bowl by aligning the hole in the top of the cartridge with the stub extending down from the housing head and threading the bowl onto the head. Hand tighten snugly. Do not over-tighten the bowl.
8. Remove the wrapping from the Insurice PF filter cartridge(s).
9. Install the Insurice PF cartridge(s) into the Insurice PF system head(s) following directions on the cartridge label or as shown in the Cartridge Change illustrations.
10. Turn on water supply and flush the cartridge(s) by running water through at full force for five minutes. This will set the filtering media and purge air and fines, insuring maximum filter life.
11. After flushing, close the flushing valve and turn on power to equipment. See illustrations.

CARTRIDGE CHANGE DETERMINATION

Replace cartridges when capacity is reached, or when flow becomes too slow, but at least annually.

The system outlet pressure gauge provides a quick, simple means of determining when the Insurice PF filter cartridge(s) should be checked. The gauge can be used to monitor dynamic (flowing) pressure and static (line) pressure. The filter cartridges should be changed when the gauge needle is in the red area while the system is in operation. In multiple cartridge systems, all filter cartridges should be changed at the same time.

Not for residential use. For food service applications only.

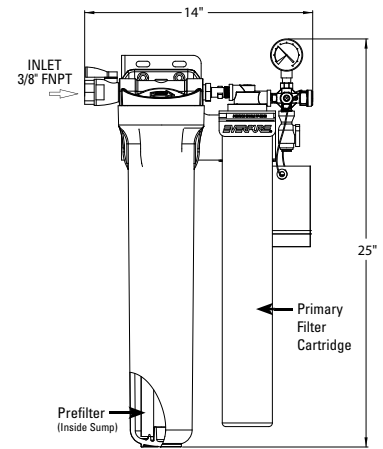


Figure 4 – Insurice PF Single System

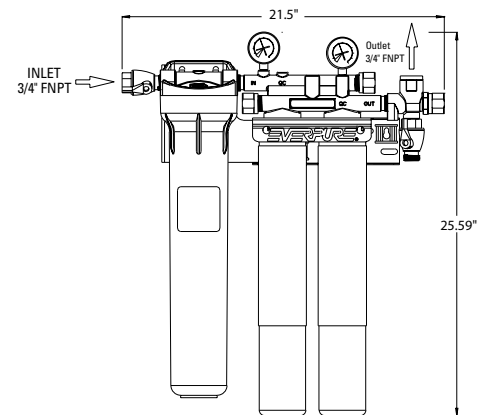


Figure 5 – Insurice PF Twin System

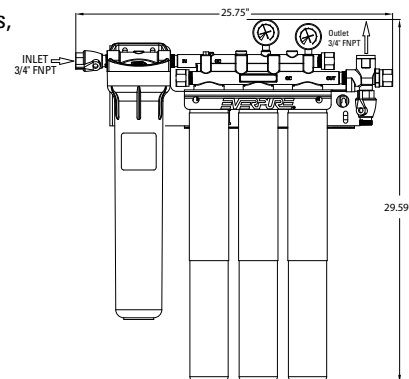
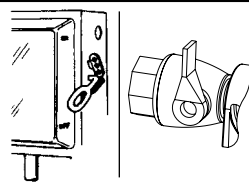
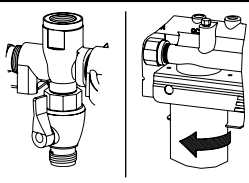
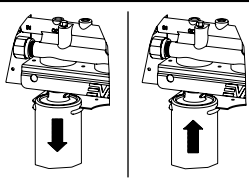
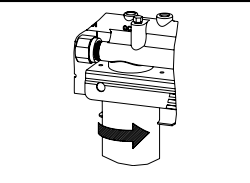
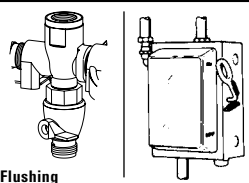


Figure 6 – Insurice PF Triple System

CARTRIDGE CHANGE INSTRUCTIONS

1. Shut off the inlet water supply to the system.
2. Make sure any outlet valves to equipment are closed.
3. Connect a drain hose to the flushing valve or place a bucket under its outlet.
4. Open the flushing valve to relieve system pressure.
5. Momentarily depress the red pressure relief valve buttons on top of the prefilter head.
6. Unthread and remove the clear prefilter bowl and dump any water from the bowl. A sump wrench is provided to assist in loosening a tight bowl. Remove and discard the old prefilter cartridge.
7. Rinse and clean the bowl with clean water. No special cleaners are needed.
8. Check and clean the bowl O-ring. If it is dry, lubricate it with a food grade silicone lubricant. If it is cracked or deteriorated, replace it.
9. Remove the wrapping from a new EC210 prefilter cartridge and insert the cartridge into the prefilter bowl aligning the hole in the bottom of the cartridge over the raised stub in the bottom of the bowl.
10. Check to see that the O-ring is in place at the top of the prefilter bowl and that it is lubricated with food grade silicone lubricant. Reinstall the bowl by aligning the hole in the top of the cartridge with the stub extending down from the housing head and threading the bowl onto the head. Hand tighten snugly. Do not over-tighten the bowl.
11. Remove the wrapping from the new Insurice filter cartridge(s).
12. Install the filter cartridge(s) into the filter manifold heads following directions on the cartridge label.
13. Open the inlet water supply to the prefilter sub-assembly and flush the cartridges by running water through the system at full force for five minutes. This will purge any air and fines and ensure maximum filter life.
14. Shut off the flushing valve and open any outlet valves to equipment.
15. Restore the equipment to service.

CARTRIDGE CHANGE PROCEDURE

 <p>Everpure Carbon Filter Cartridge Change</p> <ol style="list-style-type: none"> 1. Shut off power to equipment. Shut off inlet water ahead of system. 	 <ol style="list-style-type: none"> 2. Open flushing valve to relieve pressure. 3. Hold head firmly and push upward. Turn cartridge to left until it stops. 	 <ol style="list-style-type: none"> 4. Pull cartridge downward and out of head. 5. Hold head firmly. Align cartridge lug with label. Insert new cartridge firmly into head. 	 <ol style="list-style-type: none"> 6. Turn cartridge right 90° until rotation stops. 7. Repeat steps 3-6 for remaining cartridges. 	 <p>Flushing</p> <ol style="list-style-type: none"> 8. With flushing valve fully open, open inlet water at full force for five minutes. Close flushing valve. 9. Turn on power to equipment
---	--	--	---	---

REPLACEMENT PARTS

Contact your local Everpure dealer for filter cartridges or system replacement parts.



System Tested and Certified by NSF International against NSF/ANSI Standard 42 and 53 for the reduction of:

Std. No. 42—Aesthetic effects	Std. No. 53—Health effects
<i>Chemical Reduction</i>	<i>Mechanical Filtration</i>
Taste & Odor	Turbidity (i2000, i2000 ² only)
Chlorine	Cyst
<i>Mechanical Filtration</i>	Asbestos (i2000, i2000 ² only)
Nominal Particulate Class I	

Check for compliance with state and local laws and regulations. Do not use with water that is microbiologically unsafe or of unknown quality without adequate disinfection before or after the system. Systems certified for cyst reduction may be used on disinfected waters that may contain filterable cysts.

LIMITED WARRANTY

COMMERCIAL WATER TREATMENT EQUIPMENT

You have just purchased one of the finest water treatment units made. As an expression of our confidence in Everpure products, this product is warranted against defects in material and workmanship to the original end-user when installed in accordance with Everpure specifications. The warranty period commences from the date of purchase and is administered as follows:

For a period of ONE YEAR

Replaceable elements (i.e., filter & water treatment cartridges)*

For a period of FIVE YEARS

The entire system (excluding replaceable elements)

***This is for material & workmanship, not filter or water treatment cartridge life.**

The unit must be used in operating conditions that conform to Everpure's recommended design guidelines. This warranty will not apply if the unit has been modified, repaired or altered by someone not authorized by Everpure.

If a part described above is found defective within the specified period, you should notify Everpure technical service at the phone number listed below. Any part found defective within the terms of this warranty will be repaired or replaced (at Everpure's discretion) by your local dealer or Everpure technical service. You pay only freight from our factory and local dealer charges. Any repaired or replaced warranty item will be incorporated under the original warranty terms of the existing system.

We are not responsible for damage caused by accident, fire, flood, freezing, Act of God, misuse, misapplication, neglect, oxidizing agents (such as chlorine, ozone, chloramines and other related components), alteration, installation or operation contrary to our printed instructions, or by the use of accessories or components which do not meet Everpure's specifications. Refer to the specifications section in the Installation and Operating manual for approved application parameters.

Our product performance specifications are furnished with each water treatment unit. TO THE EXTENT PERMITTED BY LAW, EVERPURE DISCLAIMS ALL IMPLIED WARRANTIES, INCLUDING WITHOUT LIMITATION WARRANTIES OF MERCHANTABILITY AND FITNESS FOR PARTICULAR PURPOSE; TO THE EXTENT REQUIRED BY LAW, ANY SUCH IMPLIED WARRANTIES ARE LIMITED IN DURATION TO THE PERIOD SPECIFIED ABOVE FOR THE ENTIRE WATER TREATMENT UNIT. As a manufacturer, we do not know the characteristics of your water supply or the purpose for which you are purchasing this product. The quality of water supplies may vary seasonally or over a period of time, and your water usage rate may vary as well. Water characteristics can also differ considerably if this product is moved to a new location. For these reasons, we assume no liability for the determination of the proper equipment necessary to meet your requirements, and we do not authorize others to assume such obligations for us. Further, we assume no liability and extend no warranties, express or implied, for the use of this product with a non-potable water source or a water source which does not meet the conditions for use described in the owner's guide or performance data sheet for this product. OUR OBLIGATIONS UNDER THIS WARRANTY ARE LIMITED TO THE REPAIR OR REPLACEMENT (AT EVERPURE'S DISCRETION) OF THE FAILED PARTS OF THE WATER TREATMENT UNIT, AND WE ASSUME NO LIABILITY WHATSOEVER FOR DIRECT, INDIRECT, INCIDENTAL, CONSEQUENTIAL, SPECIAL, GENERAL OR OTHER DAMAGES.

Some states do not allow the exclusion of implied warranties or limitations on how long an implied warranty lasts, so the above limitation may not apply to you. Similarly, some states do not allow the exclusion of incidental or consequential damages, so the above limitation or exclusion may not apply to you. This warranty gives you specific legal rights, and you may also have other rights which vary from state to state. Consult your telephone directory for your local independently operated Everpure dealer, or write Everpure for warranty and service information.



For sales, replacement components, and service, contact your Everpure dealer or:

Everpure, LLC: 1040 Muirfield Drive • Hanover Park, Illinois 60133 • 800.323.7873

In Europe: Toekomstlaan 30 • B-2200 Herentals, Belgium

In Japan: Hashimoto MN Bldg. 7F • 3-25-1 Hashimoto Sagamihara-Shi • Kanagawa 229-1103, Japan

Technical Service

800.942.1153

www.everpure.com