

# SFC Series

Single Filter Housings  
Cup for SOE Cartridges

neo·PURE™



## Applications

- Water
- Food and Beverage
- Electronics
- Coolants
- Oil / Gas
- Paints / Inks / Coatings
- Paper and Pulp
- Chemicals



USA MADE

*Commercial / Industrial  
Filtration Applications*

## Standard Features

- Manufactured in USA
- Designed for commercial or industrial filter applications
- Heavy-duty 316LEP stainless steel construction for maximum durability and corrosion resistance
- Ring nut closure allow for quick cartridge change-outs
- Uses 222 or 226 connector cartridges with fin or flat ends
- Available with 3/4" and 1" inline connections
- Includes mounting bracket kit and wrench

## Specifications, Operating Parameters and Options

### Maximum Operating Pressure

300 psig (20.7 bar) @ 200°F (93°C)

### Connections

Inlet/Outlet: 3/4" or 1" FNPT

Optional: 1" RF flange, BSP or 1" sanitary ferrules

Drain Ports: 1/8" FNPT

### Materials of Construction

Head/Shell/Connections: 316LEP stainless steel

### Gaskets

Standard: Buna N (FDA grade)

Optional: EPR, silicone, Viton

### Finish

Polycoat on exterior surfaces

### Options

1/4" gauge ports In/Out

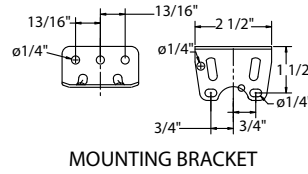
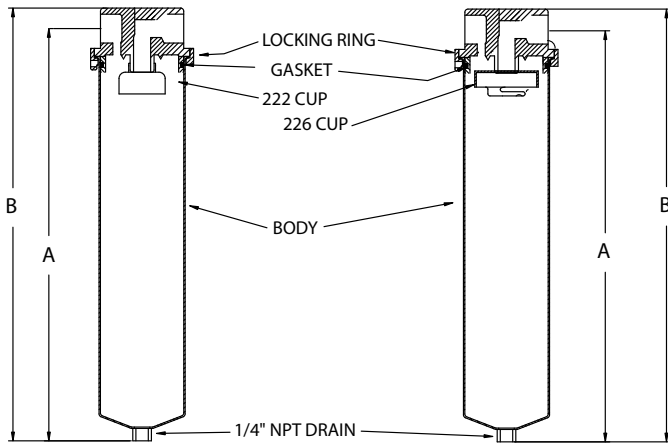
Vent screw outlet

Internal 213 O-ring

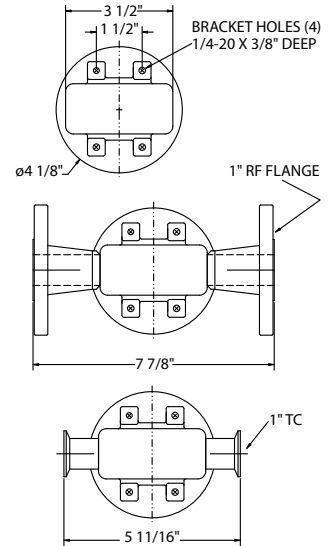
MODEL	QUANTITY (LENGTH) OF CARTRIDGES	MAXIMUM FLOW RATE* GPM (LPM)	MAXIMUM DIAMETER CARTRIDGE	DRAIN SIZE	DIMENSIONS	
					A	B
SFC1	1 (9-3/4 - 10")	7 (26.5)	2-3/4"	1/4"	16-9/16" (42.1 cm)	17-7/16" (44.3 cm)
SFC2	1 (19-1/2 - 20")	14 (53)	2-3/4"	1/4"	26-9/16" (67.5 cm)	27-7/16" (69.7 cm)
SFC3	1 (30")	21 (79.5)	2-3/4"	1/4"	36-9/16" (92.9 cm)	37-7/16" (95.1 cm)

\* Based upon 7 gpm (26.5 lpm) per 10" cartridge length with a 25 micron wound cartridge at 2 PSID clean and viscosity of 1 cps. Flow rates are approximate. Actual flow rates are based upon fluid, viscosity, cartridge type, micron ratings and other factors.

## Dimensions



RH ROD

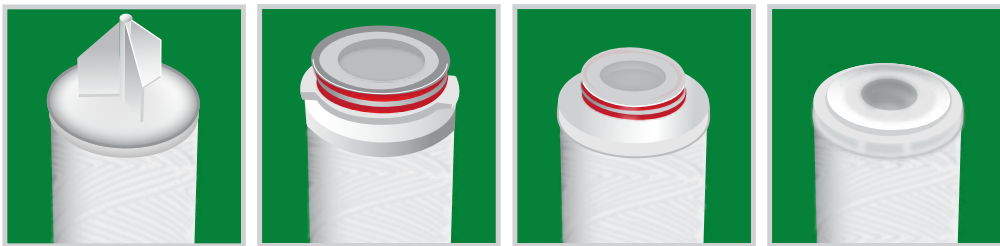


## Ordering Guide (Example: SFC2-226-8-FL-GP-E)

SFC		2		-		226		-		8		-		FL		-		GP		-		E	
MODEL	CARTRIDGE LENGTH	MATERIAL	CARTRIDGE STYLE	INLET/OUTLET SIZE	CONNECTION TYPE	OPTIONS	GASKET																
SFC = Single Filter Cup, SOE	1 = 10" 2 = 20" 3 = 30"	Blank = 316LEP* (standard)	222 = 222 U-Cup 226 = 226 U-Cup with locking rings	6 = 3/4" 8 = 1"	Blank = FNPT (standard) FL = Flange 1" only* BP = BSP TC = Ferrules 1" only*	Blank = None (standard) GP = 1/4" gauge ports IN/OUT V = Vent screw outlet 213 = Internal 213 O-ring	Blank = Buna N (standard) E = EPR S = Silicone V = Viton																

\* LEP = Electropolished

## Available End Cap Configurations



Fin

226

222

Flat



**Filter Cartridges Selection Guide**  
CLICK HERE

**Neologic**  
SOLUTIONS  
Filtration Division

9450 SW Gemini Dr, ECM #83358, Beaverton, OR 97008  
Tel 855-896-3525 | Fax 866-409-9622  
www.neologicsolutions.com  
email: info@neologicsolutions.com  
STUART, FL | BEAVERTON, OR | GREENVILLE, SC | SAN DIEGO, CA

Questions?

Ask one of our Service Representatives:

Mon-Fri 8a-8p, Sat 8:30a-4:30p EST

We ship 6 days a week!

