

# Twistloc® Angle Valve Adapters

## DESCRIPTION

The **Twistloc®** Angle Valve Adapters are manufactured in White Polypropylene, reinforced plastic which provides value-added advantages in the installation of water supply line.

The **Twistloc®** Angle Valve Adapters are designed for use in Drinking water systems, Ice-Maker and Water filtration applications, etc.,. Our valves offer greater efficiency than traditional water angle valves.

## SYSTEM ADVANTAGES & BENEFITS

### Push-fit Connection

All white plastic system

### Strong Gripping Strength

Suitable and safe for plumbing systems

### Permanent anti-leak connection

Perfect connection with Push and twist and lock system

### Better positioning with Swivel

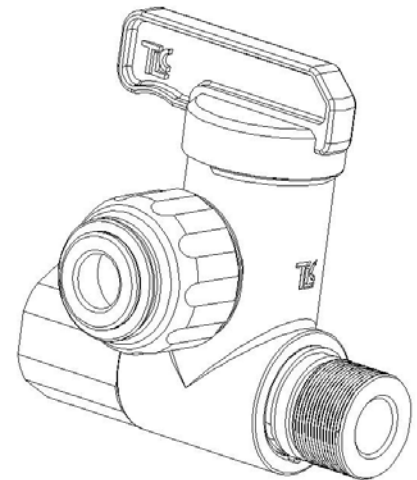
90° Turn ON / OFF

### Flexibility

Light weight for easy handling at sites.

### No Tools required – Hand tighten

### Lead free



## SPECIFICATION DATA

### Performance:

Max. Working Pressure @ Max. Working Temperature

145psi@68°F    58psi@140°F

10bar@20°C    4bar@60°C

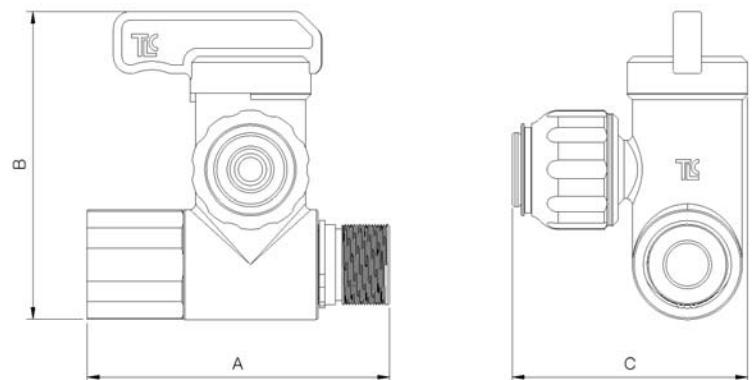
### Materials:

Body .....Polypropylene

Shaft .....Polysulfone

O-ring.....EPDM

Gripper.....EP w/t Stainless Steel



PART No	Description	A	B	C
AV67101	3/8" Male Compression x 3/8" Female Compression x 1/4"OD	53.6	54.8	41.7
AV67102	3/8" Male Compression x 3/8" Female Compression x 3/8"OD	53.6	54.8	43.8

\* Available with Nickel Brass Plated Thread by Customer's demand

## CERTIFICATIONS

The **Twistloc®** Angle Valve Adapters are produced with the same quality of material which is approved in accordance with NSF-61.