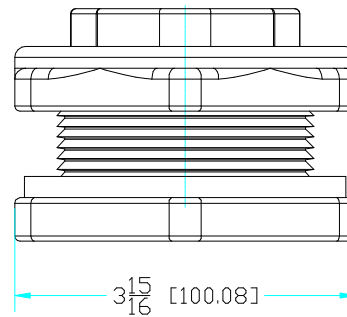
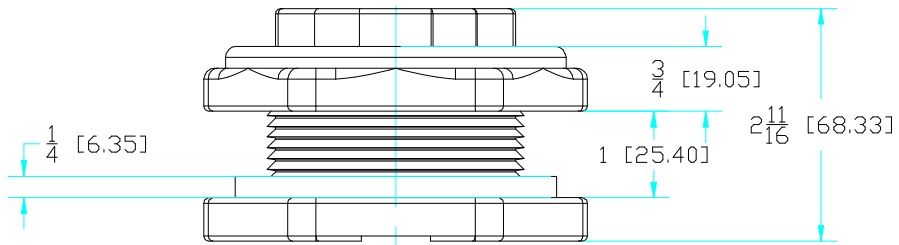


Parts List			
Item	Qty	Name	Material
1	1	TF151	Polypropylene
2	1	TF153	Polypropylene
3	1	300G	EPDM



THIS DRAWING AND ALL INFORMATION CONTAINED THEREIN ARE THE EXCLUSIVE PROPERTY OF BANJO CORPORATION. UNLESS SPECIFICALLY NOTED, THIS DRAWING AND ITEMS SHOWN IN THIS DRAWING ARE SUBJECT TO CHANGE AT ANY TIME.

BANJO CORPORATION 150 BANJO DR. * CRAWFORDSVILLE, IN 47933	
PART NO.	TF150
TITLE	1 1/2" Tank Flange