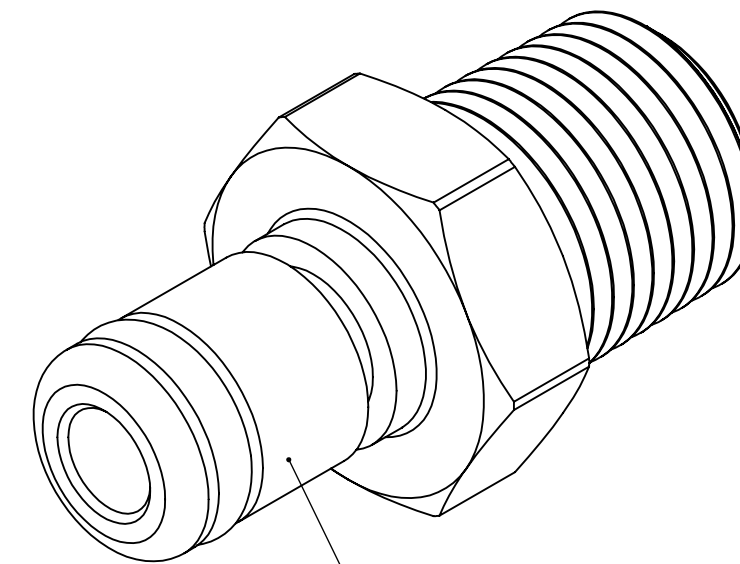
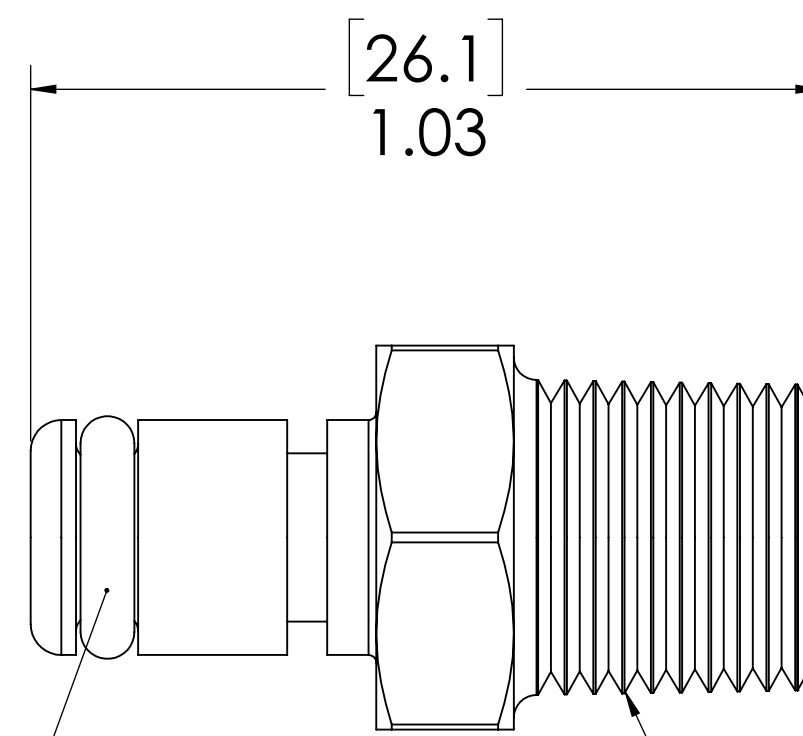
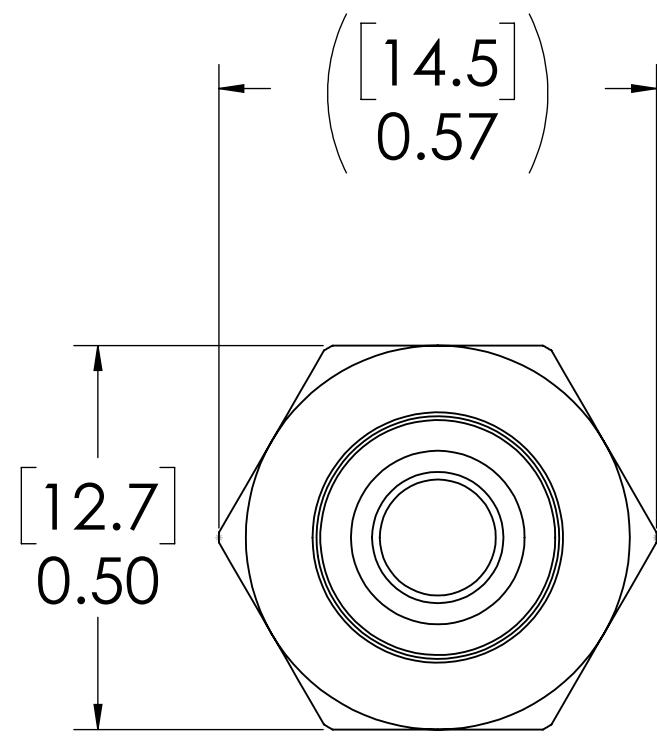


REVISIONS						
SHEET	ZONE	REV.	ECO	DESCRIPTION	DATE	APPROVED
1	ALL	A	50253	DRAFTING UPDATE	4/20/2018	HRC



**PLUG,  
(BRASS, NICKEL AND  
CHROME PLATED)**




**O-RING  
(BUNA-N)**

**1/8" NPT (PIPE THREAD)**

**NOTES:**

1. MATERIAL: BRASS
2. FINISH: CHROME
3. O-RING MATERIAL: BUNA-N
4. O-RINGS LUBRICATED WITH FOOD GRADE SILICONE OIL, 350 CST.

**FOR REFERENCE ONLY**

<small>UNLESS OTHERWISE SPECIFIED: DIMENSIONS ARE IN INCHES TOLERANCES: FRACTIONAL ± 1/32 ANGULAR: MACH ± 0.5 BEND ± 2 ONE PLACE DECIMAL ± 0.1 TWO PLACE DECIMAL ± 0.01 THREE PLACE DECIMAL ± 0.005 TWO PLACE DUAL (mm) [± 0.12]</small>	DRAWN	CBH	8/3/2017	 <b>PART NO: 20CB-PB1-02</b> <small>DESCRIPTION: LinkTech 20CB Series Male Thread Male, Non-valved, 1/8" MNPT, Chrome Brass</small>
	CHECKED	HRC	8/3/17	
	ENG APPR.	HRC	4/20/18	
	MFG APPR.	BDB	4/20/18	
<small>PROPRIETARY AND CONFIDENTIAL THE INFORMATION CONTAINED IN THIS DRAWING IS THE SOLE PROPERTY OF LINKTECH LLC. ANY REPRODUCTION OR DISCLOSURE IN PART OR AS A WHOLE WITHOUT THE WRITTEN PERMISSION OF LINKTECH LLC IS STRICTLY PROHIBITED.</small>	PURCHASING	RK	4/20/18	<small>SIZE DWG. NO. REV</small> <b>C 20CB200160 A</b>
<small>COMMENTS:</small>			<small>SCALE: NTS WEIGHT: SHEET 1 OF 1</small>	