



MODEL: HWF172 Water Sentry VII

GENERAL

Designed to remove cysts, such as cryptosporidium and giardia, lead particles and chlorine. Also reduces odors and discoloration from incoming water.

Features include Quick-Disconnect, 1/4 turn installation. Automatic inlet shut-off valve that closes when filter is removed. Outer protective wrap. Spun Polypropylene prefilter mesh to prevent large, coarse sediment and particles from entering and clogging filter media.

High-grade filter is made with activated carbon and patented ATS lead-removal media. Radial flow-thru design provides more surface area for untreated water while final filter mesh prevents loose carbon from entering water. Cap and housing shall be made of rust and corrosion free plastic. Lead and cyst reduction filter shall be Halsey Taylor Water Sentry VII.

Designed specifically for use with the following series of Halsey Taylor water coolers: HAC, HACBL, WM**, SCWT** series, S series and WMBL. Can also be used on OVLSE, OVLER, HT, HRF, RC & BFMR units but must be mounted into the wall behind the unit's backplate. **CANNOT** be used in the SW, WC, HBW, RWM or the unrefrigerated versions of the HT, HRF and OVL series.

****For water cooled models contact the factory.**

RECOMMENDED USE CONDITIONS

Capacity1,500 Gallons (5678 L)
Flow rate0.75 gpm (2.8 l/m)
Temperature.....40-120°F (4 - 49°C)
Maximum Pressure105psi (724 Kpa)
Minimum Pressure20psi (138 Kpa)

PERFORMANCE TEST CONDITIONS*

Capacity1,500 Gallons (5678 L)
Flow rate0.75 gpm (2.8 l/m)
Pressure.....60 psi (4.2 Kg/cm²)
Temperature68-70°F (20-21°C)

*Performance will vary depending on local water conditions.

WATER CONNECTION

- Water Inlet for 3/8" O.D. Tube
- Water Outlet for 1/4" O.D. Tube

STANDARDS

Tested and certified by NSF International, the widely recognized and respected independent certification organization for public health safety. This filter has been tested to the following NSF International standards: ANSI/NSF Standards 42 Chlorine-Class 1, Particulate-Class 1, and Taste and Odor. ANSI/NSF Standard 53 for Reduction of Lead and Cyst through 3,000 gallons.

KIT CONSISTS OF:

- Filter
- Filter head
- Mounting bracket
- 1/4" polytubing, connectors and screws
- Installation instructions
- Performance Data Sheet

92640C FILTER MONITOR

Optional accessory monitors the number of gallons used for determining when to change filter. Monitor operates on one 9 volt alkaline battery. Not included. Installation instructions included.

55897C REPLACEMENT FILTER

Replacement filter for Water Sentry VII. Replacement instructions included.

NOTE: Continued product improvement makes specifications subject to change without notice.

Cyst and Lead Reduction Filter



Cyst and Lead Reduction Filter

(CONTINUED)

INSTALLATION INSTRUCTIONS

The filter must be installed in compliance with all state and local laws and regulations governing the installation and use of this product.

Disconnect electrical power and close water supply valve before proceeding.

The filter must be installed in the cold water line.

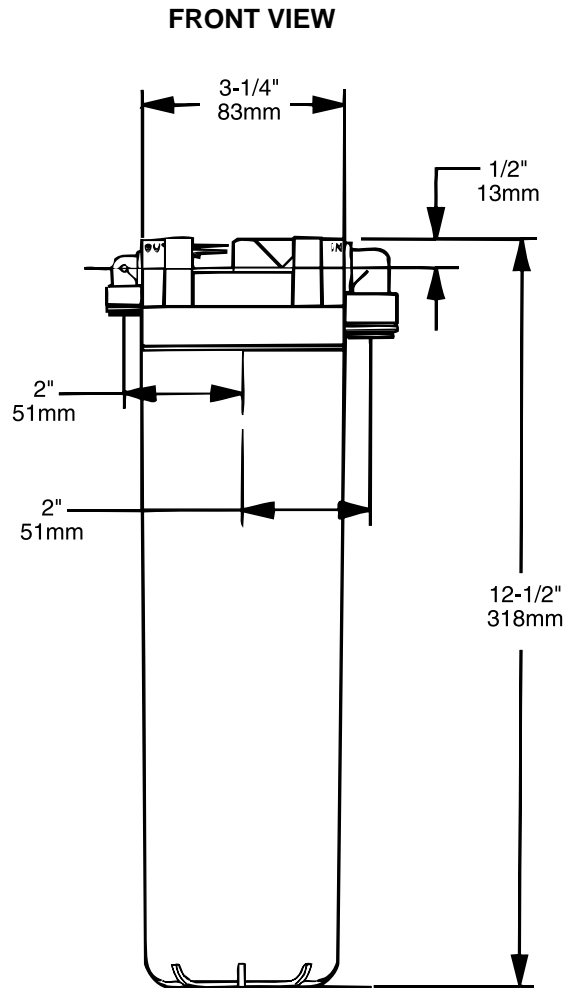
Flow indicator (arrow) on filter should point in the same direction as the water flow.

After installing new filter, open water supply valve and check for leaks. Flush system sufficiently (approximately 3 minutes) to effectively remove small residue of carbon fines.

NOTE: A water shutoff valve should be installed on the incoming water line to aid in future servicing of filter.

CAUTION

- Filter is designed to reduce lead from incoming water to levels below EPA requirements. Do not use with water that is microbiologically unsafe or with water of unknown quality without adequate disinfection before or after the system.
- Use on cold water line only. Do not allow installed filter to freeze. Do not attach hot water line to filter.
- Filter should be replaced every 1,500 gallons (5678 liters) or approximately one (1) year after installation.



WARRANTY

The Halsey Taylor Water Sentry® VII is warranted to be free from defects in material and workmanship for a period of one year from the date of installation. Warranty is limited to repair or replacement of defective component.

Halsey Taylor®