

# Aqua-Pure®

Spec # \_\_\_\_\_

Quantity \_\_\_\_\_

## Models:

**AP817 / AP817-2**

**Whole House Water Filters**

### Applications:

- Particulate/Rust\*
- Chlorine Taste and Odor (CTO)\*

### At a Glance:

- Polyethylene Outer Shell
- PolyKLEAN™ Center Core
- Granular Activated Carbon



AP817-2



AP817

### Product Benefits:

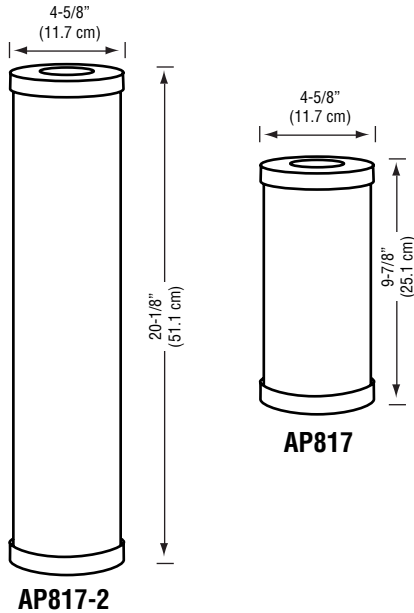
- 25 micron sediment is captured on the rigid polyethylene outer shell
- 40,000 gallon carbon reduction capacity at 10 gpm provides up to 6 months service for all your home's water
- Radial flow design allows for use of finer, more effective activated carbon and yields a very low pressure drop
- Double open ended design fits most large diameter housings. Cartridge will filter water regardless of which way it is installed in housing
- Neoprene gaskets on both top and bottom provide exceptional sealing in any housing, helping to prevent bypass of unfiltered water down-stream

### Product Specifications:

Model No. (Part No.)	Dimensions		Flow Rate	Max. Water Temp.	Degree of Filtration
	Height	Diameter			
AP817 (56027-01)	9-7/8" (25.1 cm)	4-5/8" (11.7 cm)	10 gpm (37.9 lpm)	100°F (37.8°C)	25 micron nominal
AP817-2 (56027-07)	20-1/8" (51.1 cm)	4-5/8" (11.7 cm)	20 gpm (75.7 lpm)	100°F (37.8°C)	25 micron nominal

\* Claims not tested or certified by NSF

# Aqua-Pure®



Spec # \_\_\_\_\_

Quantity \_\_\_\_\_

Model Number \_\_\_\_\_

Part Number \_\_\_\_\_

## Physical Specifications:

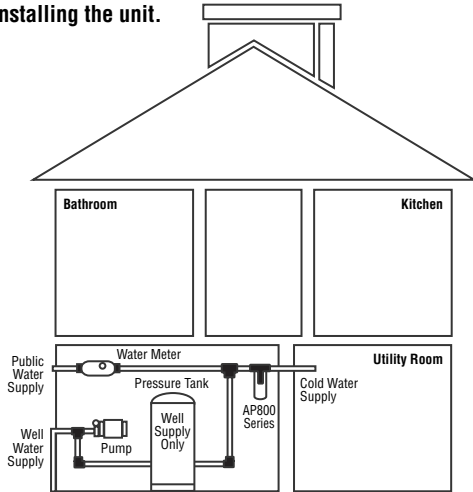
- Cartridge is manufactured from FDA CFR-21 compliant materials
- Cartridge has a maximum operating temperature of 100°F (37.8°C)
- Cartridge to be installed at point of entry

### Fits all 3M Purification Inc. and most competitive filter housings

AP817	AP817-2
AP801	AP802
AP801-C	AP802-1.5-C
AP801T-C	
AP801-1.5-C	

## Easy Installation:

**CAUTION:** Diagram shown is for reference purposes only. Read installation and operation manual prior to installing the unit.



**⚠ WARNING:** To reduce the risk associated with the ingestion of contaminants:

- Do not use with water that is microbiologically unsafe or of unknown quality without adequate disinfection before or after the system.

3M Purification Inc. recommends regularly scheduled maintenance and replacement of the filter cartridge(s) in order for the product to perform as advertised/sold. 3M Purification Inc. shall not be liable for system failures due to improper maintenance.

**CAUTION:** To reduce the risk associated with property damage due to water leakage:

- The disposable filter cartridge **MUST** be replaced every six (6) months, at the rated capacity or sooner if a noticeable reduction in flow rate occurs.

## Limited Warranty:

**Limited Warranty:** 3M Purification Inc. warrants this Product will be free from defects in material and manufacture for five (5) years from the date of purchase. The filter cartridge or filter membrane is warranted to be free from defects in material and manufacture for one (1) year. This warranty does not cover failures resulting from abuse, misuse, alteration or damage not caused by 3M Purification Inc. or failure to follow installation and use instructions. No warranty is given as to the service life of any filter cartridge or membrane as it will vary with local water conditions and water consumption. **3M PURIFICATION INC. MAKES NO OTHER WARRANTIES OR CONDITIONS, EXPRESS OR IMPLIED, INCLUDING, BUT NOT LIMITED TO, ANY IMPLIED WARRANTY OR CONDITION OF MERCHANTABILITY OR FITNESS FOR A PARTICULAR PURPOSE OR ANY IMPLIED WARRANTY OR CONDITION ARISING OUT OF A COURSE OF DEALING, CUSTOMER OR USAGE OF TRADE.** If the Product fails to satisfy this Limited Warranty during the warranty period, 3M Purification Inc. at its option will replace the Product or refund your Product purchase price. This warranty does not cover labor. **The remedy stated in this paragraph is Customer's sole remedy and 3M Purification Inc.'s exclusive obligation.** For additional information, see the entire Limited Warranty located in the product Installation and Operating Instruction Manual.

**Limitation of Liability.** 3M Purification Inc. will not be liable for any loss or damage arising from this 3M Purification Inc. product, whether direct, indirect, special, incidental, or consequential, regardless of the legal theory asserted, including warranty, contract, negligence or strict liability. Some states and countries do not allow the exclusion or limitation of incidental or consequential damages, so the above limitation or exclusion may not apply to you.

Distributed by:

**3M**

3M Purification Inc.  
400 Research Parkway  
Meriden, CT 06450 U.S.A.  
Toll Free: 1.800.222.7880  
Worldwide: 203.237.5541  
Fax: 203.238.8701  
www.aquapure.com • www.3mpurification.com



COMPONENT

Visit [www.nsf.org](http://www.nsf.org) for the claims associated with products that are NSF listed.

Aqua-Pure is a trademark of 3M Company used under license  
3M is a trademark of 3M Company  
NSF is a trademark of NSF International.  
© 2011 3M Company. All rights reserved.  
70-0202-0421-3 REV 1211