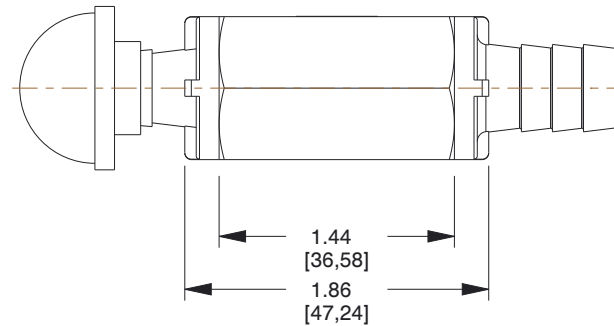


**Suction Stainer on Barbed inlet (Foot Valve)**

**Barb 1/2**



**NOTES:**

1. Material : Polypropylene
2. Material Color : White Polypropylene
3. Seal Options : EPDM
4. Spring Material : Stainless Steel
5. Cracking Pressure : 0.33LB
6. Check Mechanism : Ball
7. Maximum Operating Pressure : 125 psi
8. Maximum Operating Temperature : 140 °F
9. All Drawing Dimensions are in Inches [mm]

Contact Sales or Customer Service for Alternate Rates

**Compatibility Statement:**

It is sole responsibility of the sytem designer and user to select products suitable for their specific application requirements and to ensure proper installation, operation, and maintenance of these products.

Material compatibility, product ratings and application details should be considered in the selection. Improper selection or use of products described herein can cause personal injury or product damage.

COMPONENT	FOOT VALVE
	426FPW-8S8B-1/3ES
	PLASTIC FOOT VALVE



2299 Ridge Rd. Greenville, SC 29607  
 Phone: (864) 284-1801  
 www.freshwatersystems.com

This Drawing is the Property of Fresh Water Systems. It contains confidential, proprietary information that is Fresh Water Systems property. Do not disclose to or duplicate for others except as authorized by Fresh Water Systems.

<b>REV</b>	01-02-2017
<b>SHEET</b>	1 of 1
<b>SCALE</b>	0,85