



MT625 Point-Of-Use Faucet

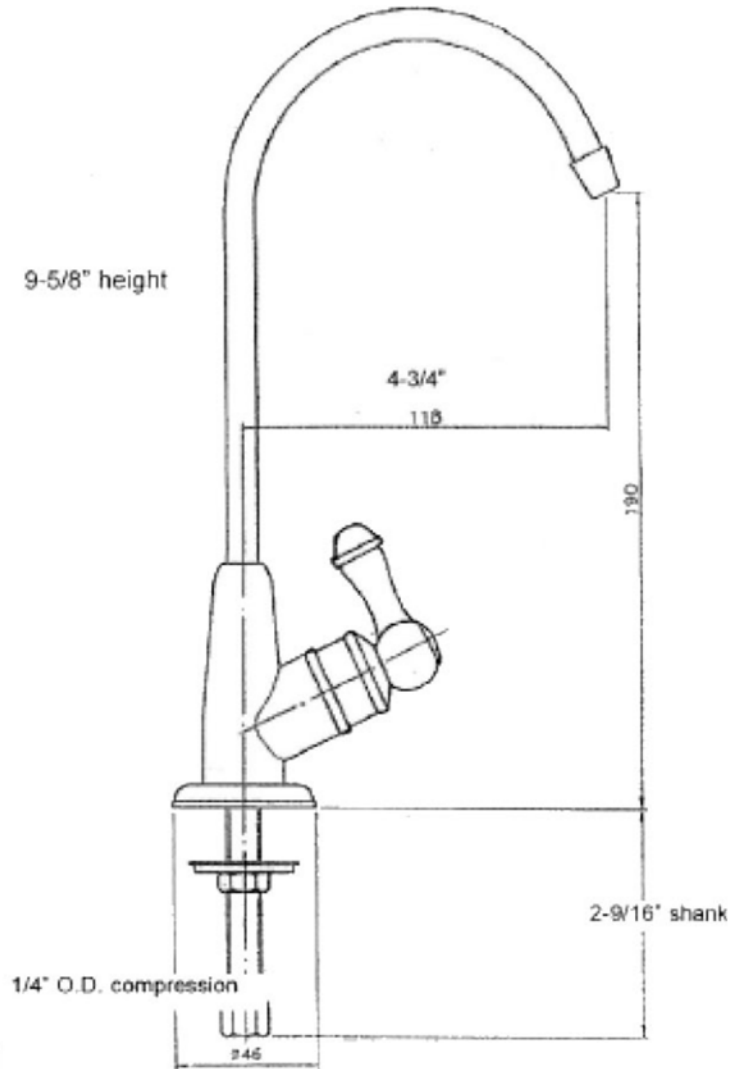
INSTALLATION DIMENSIONS

This model offers you the following features & benefits:

- Attractive 1/4 turn lever handle point of use faucet.
- Available in 11 finishes
- Can be used as a filter faucet, bar or food prep faucet.
- Cold water only.

Complies with ANSI Z37.1-2001

Add AG600S air gap for reverse-osmosis applications.



Minimum hole size = 3/4"
Maximum hole size = 1-3/8"

Warranty

- *ALL MOUNTAIN PRODUCTS CARRY A 1 YEAR WARRANTY ON ALL WORKING PARTS.(except disposers)
- *MOST SPECIAL FINISHES HAVE A 1 YEAR WARRANTY IF INSTRUCTIONS ARE FOLLOWED PROPERLY. ORB, EB, MHB, WCP, AND TB HAVE A 90 DAY WARRANTY IF INSTRUCTIONS ARE FOLLOWED PROPERLY.
- *ALL PVD FINISHES COME WITH A LIFETIME WARRANTY IF INSTRUCTIONS ARE FOLLOWED PROPERLY
- *ALL XENYO COLORED PRODUCTS HAVE A LIFETIME WARRANTY
- *USE OF PLUMBERS PUTTY ON PRODUCTS VOIDS WARRANTY

Specifications subject to change without notice.

© Mountain Plumbing Products

www.mountainplumbing.com

• Call Toll-Free 1.888.222.9140

Form MPP MT625 2006